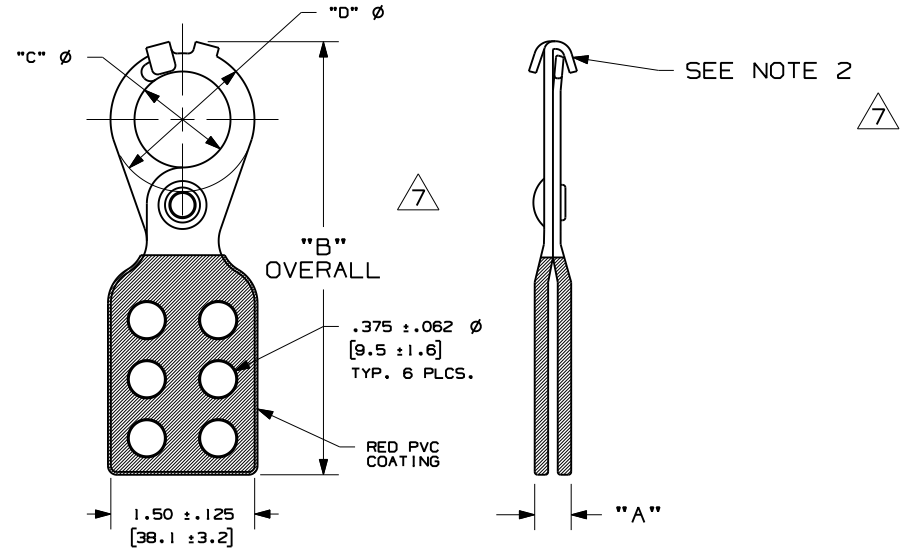


TABLE 1			
PART NUMBER	DESCRIPTION	MAX. NO. LOCKS.	STANDARD PKG.
PSL - 1	HASP WITH 1.0" (25 mm) DIA. JAW AND OVERLAPPING TABS	6	12
PSL - 1.5	HASP WITH 1.5" (38 mm) DIA. JAW AND OVERLAPPING TABS	6	12
PSL - 1A	HASP WITH 1.0" (25 mm) DIA. JAW	6	12
PSL - 1.5A	HASP WITH 1.5" (38 mm) DIA. JAW	6	12



TABLE 2				
P/N	"A"	"B" OVERALL	"C"	"D" DIA.
PSL - 1	.375 +/- .063 ( 9.5 +/- 1.6 )	4.50 +/- .12 ( 114.3 +/- 3.1 )	1.00 +/- .04 ( 25.4 +/- 1.0 )	1.50 +/- .04 ( 38.1 +/- 1.0 )
PSL - 1.5		5.05 +/- .12 ( 128.3 +/- 3.1 )	1.50 +/- .04 ( 38.1 +/- 1.0 )	2.12 +/- .04 ( 53.8 +/- 1.0 )
PSL - 1A		4.40 +/- .12 ( 111.8 +/- 3.1 )	1.00 +/- .04 ( 25.4 +/- 1.0 )	1.50 +/- .04 ( 38.1 +/- 1.0 )
PSL - 1.5 A		4.95 +/- .12 ( 125.7 +/- 3.1 )	1.50 +/- .04 ( 38.1 +/- 1.0 )	2.12 +/- .04 ( 53.8 +/- 1.0 )

- NOTES:
1. DIMENSIONS SHOWN IN BRACKETS ARE IN MILLIMETERS.
  2. PSL-1A AND PSL1.5A DO NOT HAVE TABS
  3. OPERATING TEMPERATURE: -40°C (-40°F) TO 60°C (140°F)



CAD FILENAME/LAYERS 100318MU\_DC\_C10099/01H

7	7/7/11	JHAC		ADDED OPERATING TEMPERATURE AND MORE DETAIL TO TITLE CHANGED MATERIAL DESCRIPTION, REMOVED ADDITIONAL DIMENSIONAL INFORMATION AND REMOVED VIEW 1 AND VIEW 2	6451	R			
6	7/21/09	RVU		.375 +/- .062" WAS .375 +/- .125". C1018 WAS C108. .083/.079 WAS .080/.079. ADD "TABLE 1 & TABLE 2" ONLY. TOL: +/- .04 ( +/- 1.0 ) WAS +/- .12 ( +/- 3.1 ) FOR ALL OF COLUMN "F".	5797	R			
5	7/15/09	RVU		VOID					
4	10/20/08	RVU	LDG	CHANGE FORMAT 'B' TO 'A'. ADDED NEW COLUMNS OF "G" DIA., "H" R., VIEW 2 AND REVISED NOTES 2.	5571	R			
3	7-27-06	RVU	DWY	ADD TABLE "E" AND "F".	4583	R			
2	3-29-05	RVU	DWY	ADDED SIDE VIEW, VIEW 1, AND DIMENSIONS "A", "B", "C" AND "D".	3840	R			
1	3-25-03	RVU	DWY	DIMENSION 1.50 +/- .125, 5.00 +/- .125, & TOLERANCE ADDED. MISC. REVISIONS.	3207	R			
R	9-23-99	RVU	DWY	DRAWING RELEASE	1438	R			
REV	DATE	BY	CHK	DESCRIPTION	ECN	R	CUST	SUP	

PANDUIT CORP. TINLEY PARK, ILLINOIS

SAFETY LOCKOUT HASP - PSL-1(A) AND PSL1.5(A)

UNLESS OTHERWISE SPECIFIED, DIMENSIONAL TOLERANCES ARE:  
 (.X) ± (.XXX) ±  
 (.XX) ± ANGLES ±

UNLESS OTHERWISE SPECIFIED, ALL DIMENSIONS ARE GIVEN IN INCHES, THIRD ANGLE PROJECTION.

DRAWN BY RVU

MAT'L:



SCALE NTS

DATE 9-23-99

ZINC PLATED STEEL WITH RED PVC COATING

DRAWING NO.

C10099

DWG A SIZE