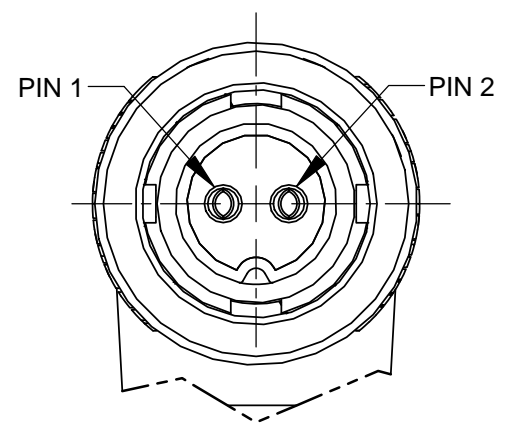
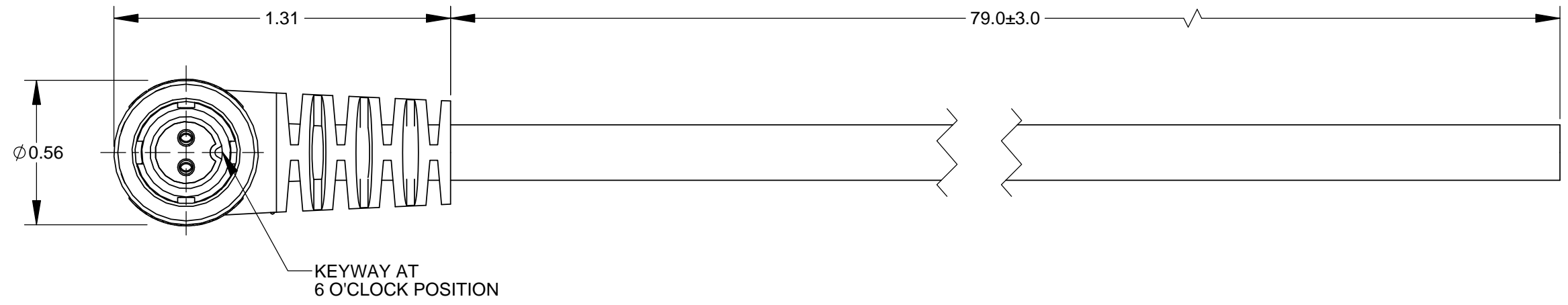


**EN2C2F20  
RIGHT ANGLE OVERMOLDED**  
 OVERMOLD - BLACK THERMOPLASTIC RUBBER  
 CONNECTOR - BLACK THERMOPLASTIC, WITH INSERT  
 MOLDED BLACK THERMOPLASTIC RUBBER.  
 CONTACTS - COPPER ALLOY, GOLD PLATED

S.C.O



**EN2C2F20 VIEWED FROM  
FRONT MATING  
SIDE OF CONNECTOR  
SCALE 3 : 1**



KEYWAY AT  
6 O'CLOCK POSITION

WIRING TABLE	
EN2C2F20	WIRE COLOR
PIN 1	BLACK
PIN 2	WHITE

**CUSTOMER DRAWING**

NOTES:  
1. THIS PRODUCT IS RoHS COMPLIANT.

REV	ECO NUMBER	DATE	BY	APVD
*	*	*	*	*
REVISIONS				

UNLESS OTHERWISE SPECIFIED  
 1. ALL DIMENSIONS IN INCHES [mm]  
 - TWO PLACE DECIMALS ±0.02 [0.5]  
 - THREE PLACE DECIMALS ±0.005 [0.13]

DO NOT SCALE DRAWING

THIS DRAWING DESCRIBES A DESIGN CONSIDERED PROPRIETARY IN NATURE, DEVELOPED AND MANUFACTURED BY SWITCHCRAFT INC. AND IS RELEASED ON A CONFIDENTIAL BASIS FOR IDENTIFICATION PURPOSES ONLY.									
SIZE	WIDTH	MULT	LBS/M	TEMPER					
*	*	*	*	*					
FINISH					MATERIAL				
SPEC No.					SPEC No.				
FIRST USED ON					SCALE				
*					2:1				
DATE DRAWN	BY	CHKD	APVD	Switchcraft®					
11/23/16	AB	AB	*	SHEET 1 OF 1					
		11/23/16	*						
NAME				PART No.			REV		
EN2C2F20 RIGHT ANGLE, ON 79" OF CABLE, RoHS				CARAEN2C2F07990			0A		

# Mouser Electronics

Authorized Distributor

Click to View Pricing, Inventory, Delivery & Lifecycle Information:

[Switchcraft:](#)

[CARAEN2C2F07990](#)