

Low-power, dual-voltage comparator

Datasheet – production data

Features

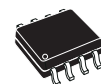
- Wide, single supply voltage range or dual supplies +2 V to +36 V or ± 1 V to ± 18 V
- Very low supply current (0.4 mA) independent of supply voltage (1 mW/comparator at +5 V)
- Low input bias current: 25 nA typ.
- Low input offset current: ± 5 nA typ.
- Input common-mode voltage range includes negative rail
- Low output saturation voltage: 250 mV typ. ($I_O = 4$ mA)
- Differential input voltage range equal to the supply voltage
- TTL, DTL, ECL, MOS, CMOS compatible outputs
- ESD internal protection: 2 kV

Description

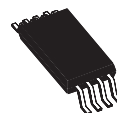
This device consists of two independent low-power voltage comparators designed specifically to operate from a single supply over a wide range of voltages. Operation from split power supplies is also possible.

The input common-mode voltage range includes negative rail even though operated from a single power supply voltage.

All pins are protected against electrostatic discharge up to 2 kV. Consequently, the input voltages must not exceed the V_{CC}^+ or V_{CC}^- magnitudes.

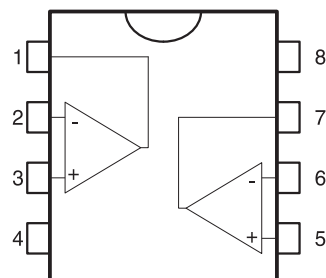


D
SO-8
(Plastic micropackage)



P
TSSOP8
(Thin shrink small outline package)

Pin connections (top view)



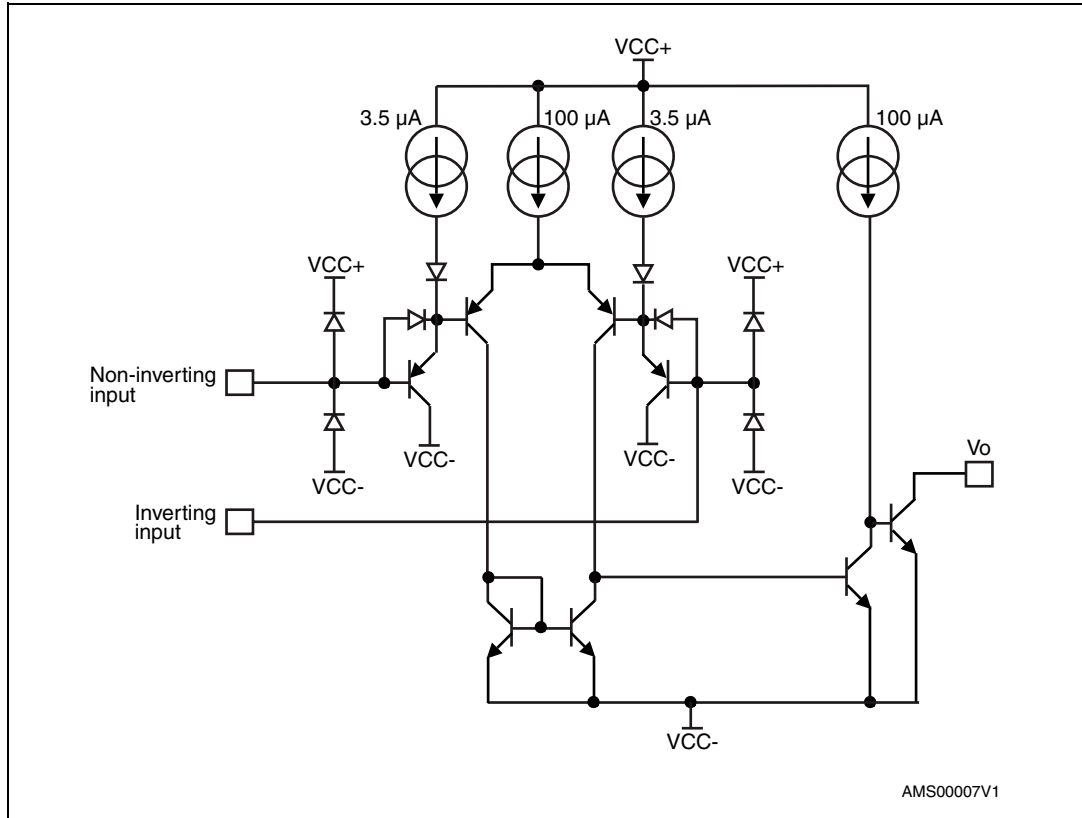
- 1 - Output 1
- 2 - Inverting input 1
- 3 - Non-inverting input 1
- 4 - V_{CC}^-
- 5 - Non-inverting input 2
- 6 - Inverting input 2
- 7 - Output 2
- 8 - V_{CC}^+

Contents

1	Schematic diagram	3
2	Absolute maximum ratings and operating conditions	4
3	Electrical characteristics	5
4	Typical application schematics	7
5	Package information	10
5.1	SO-8 package information	11
5.2	TSSOP8 package information	12
6	Ordering information	13
7	Revision history	14

1 Schematic diagram

Figure 1. Schematic diagram (1/2 LM2903W)



2 Absolute maximum ratings and operating conditions

Table 1. Absolute maximum ratings

Symbol	Parameter	Value	Unit
V_{CC}	Supply voltage	± 18 or 36	V
V_{id}	Differential input voltage	$V_{CC}^- - 0.3$ to $V_{CC}^+ + 0.3$	V
V_{in}	Input voltage		
V_{out}	Output voltage	36	V
	Output short-circuit to ground ⁽¹⁾	Infinite	
R_{thja}	Thermal resistance junction to ambient ⁽²⁾		°C/W
	SO-8	125	
	TSSOP8	120	
R_{thjc}	Thermal resistance junction to case ⁽²⁾		°C/W
	SO-8	40	
	TSSOP8	37	
T_j	Maximum junction temperature	+150	°C
T_{stg}	Storage temperature range	-65 to +150	°C
ESD	Human body model (HBM) ⁽³⁾	2000	V
	Machine model (MM) ⁽⁴⁾	200	V
	CDM: charged device model ⁽⁵⁾	1500	V

- Short-circuits from the output to V_{CC}^+ can cause excessive heating and possible destruction. The maximum output current is approximately 20 mA and is independent of the V_{CC}^+ magnitude.
- Short-circuits can cause excessive heating and destructive dissipation. Values are typical and for a four-layer PCB.
- Human body model: a 100 pF capacitor is charged to the specified voltage, then discharged through a 1.5 kΩ resistor between two pins of the device. This is done for all couples of connected pin combinations while the other pins are floating.
- Machine model: a 200 pF capacitor is charged to the specified voltage, then discharged directly between two pins of the device with no external series resistor (internal resistor < 5 Ω). This is done for all couples of connected pin combinations while the other pins are floating.
- Charged device model: all pins and the package are charged together to the specified voltage and then discharged directly to the ground through only one pin. This is done for all pins.

Table 2. Operating conditions

Symbol	Parameter	Value	Unit
V_{icm}	Common mode input voltage range	0 to $V_{CC}^+ - 1.5$	V
	$T_{min} \leq T_{amb} \leq T_{max}$	0 to $V_{CC}^+ - 2$	
T_{oper}	Operating free-air temperature range	-40 to +125	°C

3 Electrical characteristics

Table 3. $V_{CC}^+ = 5\text{ V}$, $V_{CC}^- = \text{GND}$, $T_{\text{amb}} = 25^\circ\text{C}$ (unless otherwise specified)

Symbol	Parameter	Test conditions	Min.	Typ.	Max.	Unit
V_{io}	Input offset voltage ⁽¹⁾	$T_{\text{min}} \leq T_{\text{amb}} \leq T_{\text{max}}$		1	7 15	mV
I_{io}	Input offset current	$T_{\text{min}} \leq T_{\text{amb}} \leq T_{\text{max}}$		5	50 150	nA
I_{ib}	Input bias current ⁽²⁾	$T_{\text{min}} \leq T_{\text{amb}} \leq T_{\text{max}}$		25	250 400	nA
A_{vd}	Large signal voltage gain	$V_{CC} = 15\text{ V}$, $R_L = 15\text{ k}\Omega$, $V_o = 1\text{ to }11\text{ V}$	25	200		V/mV
I_{CC}	Supply current (all comparators)	$V_{CC} = 5\text{ V}$, no load $V_{CC} = 30\text{ V}$, no load		0.4 1	1 2.5	mA
V_{id}	Differential input voltage ⁽³⁾				V_{CC}^+	V
V_{OL}	Low level output voltage	$V_{id} = -1\text{ V}$, $I_{\text{sink}} = 4\text{ mA}$ $T_{\text{min}} \leq T_{\text{amb}} \leq T_{\text{max}}$		250	400 700	mV
I_{OH}	High level output current	$V_{CC} = V_o = 30\text{ V}$, $V_{id} = 1\text{ V}$ $T_{\text{min}} \leq T_{\text{amb}} \leq T_{\text{max}}$		0.1	1	nA μA
I_{sink}	Output sink current	$V_{id} = -1\text{ V}$, $V_o = 1.5\text{ V}$	6	16		mA
t_{res}	Small signal response time ⁽⁴⁾	$R_L = 5.1\text{ k}\Omega$ to V_{CC}^+		1.3		μs
t_{rel}	Large signal response time ⁽⁵⁾ TTL input	$V_{\text{ref}} = +1.4\text{ V}$, $R_L = 5.1\text{ k}\Omega$ to V_{CC}^+ Output signal at 50 % of final value Output signal at 95 % of final value			500 1	ns μs

- At output switch point, $V_o \approx 1.4\text{ V}$, $R_S = 0\ \Omega$ with V_{CC}^+ from 5 V to 30 V, and over the full input common-mode range (0 V to $V_{CC}^+ - 1.5\text{ V}$).
- The direction of the input current is from the IC due to the PNP input stage. This current is essentially constant, independent of the state of the output, so no loading charge exists on the reference of input lines.
- Positive excursions of input voltage may exceed the power supply level. As long as the other voltage remains within the common-mode range, the comparator provides a proper output state. The low input voltage state must not be less than -0.3 V (or 0.3 V below the negative power supply, if used).
- The response time specified is for a 100 mV input step with 5 mV overdrive.
- Maximum values are guaranteed by design and evaluation.

Figure 2. Supply current vs. supply voltage

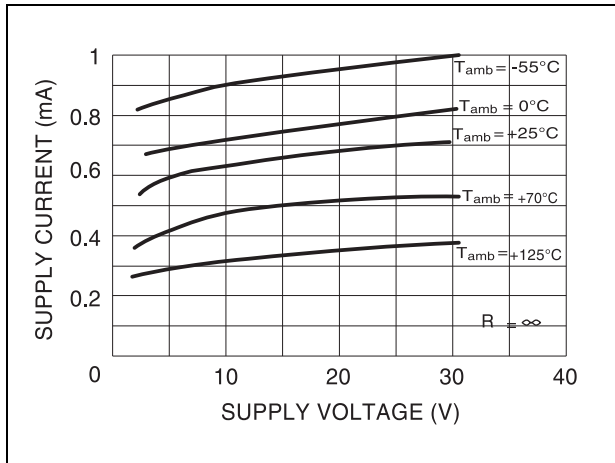


Figure 3. Input current vs. supply voltage

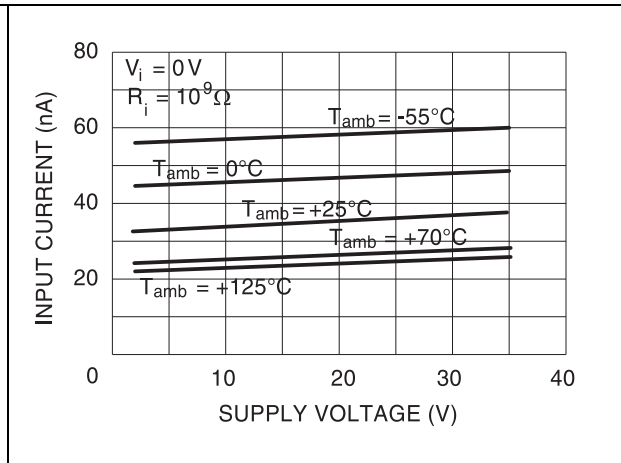


Figure 4. Output saturation voltage vs. output current

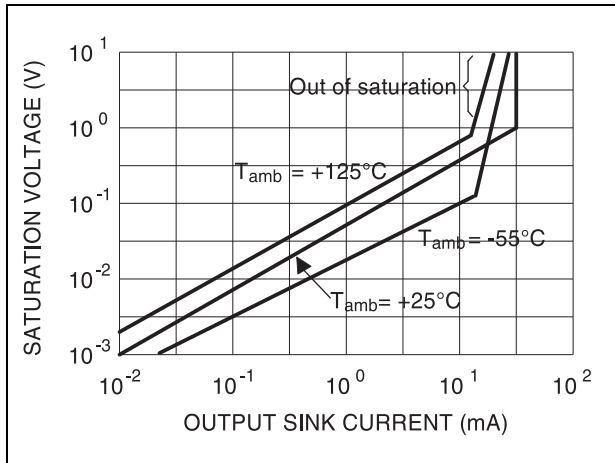


Figure 5. Response time for various input overdrives - negative transition

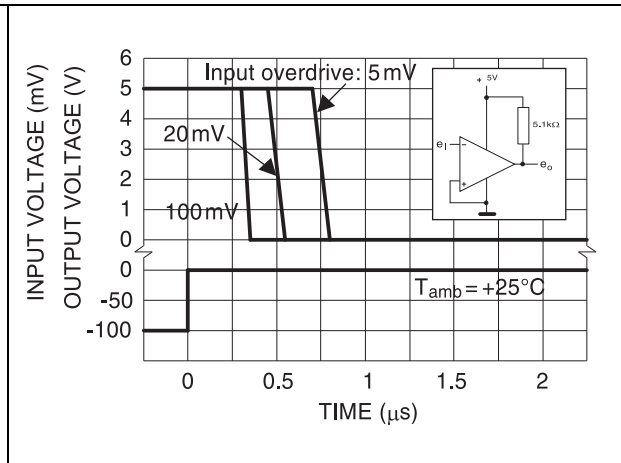
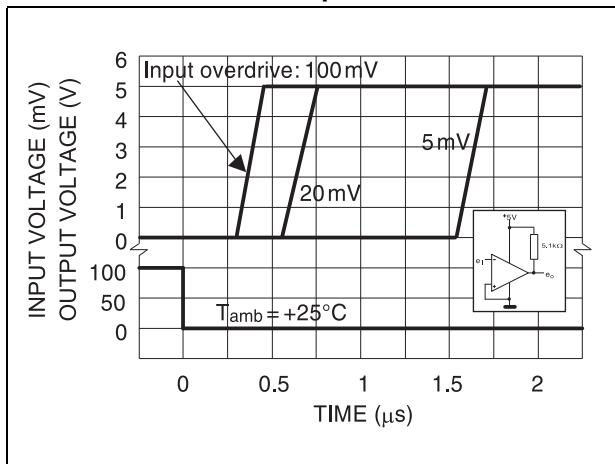


Figure 6. Response time for various input overdrives - positive transition



4 Typical application schematics

Figure 7. Basic comparator

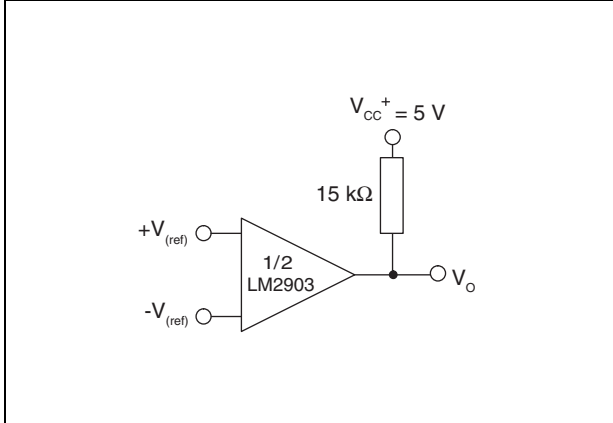


Figure 8. Driving CMOS

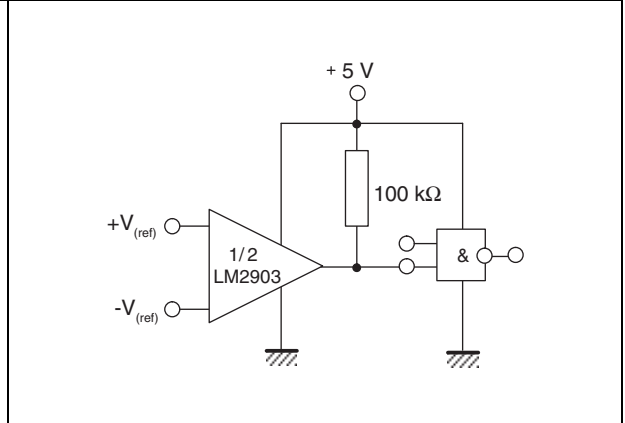


Figure 9. Driving TTL

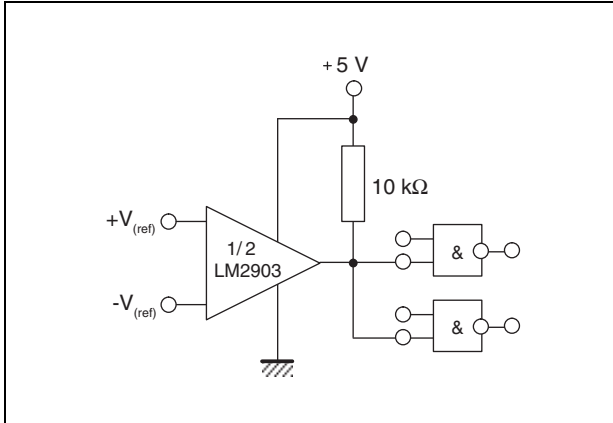


Figure 10. Low frequency op-amp

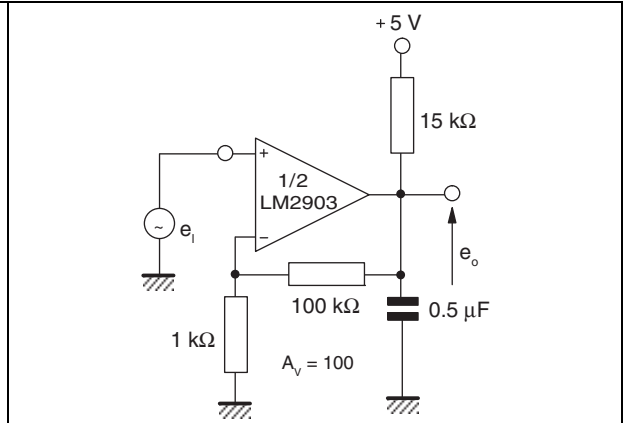


Figure 11. Low frequency op-amp

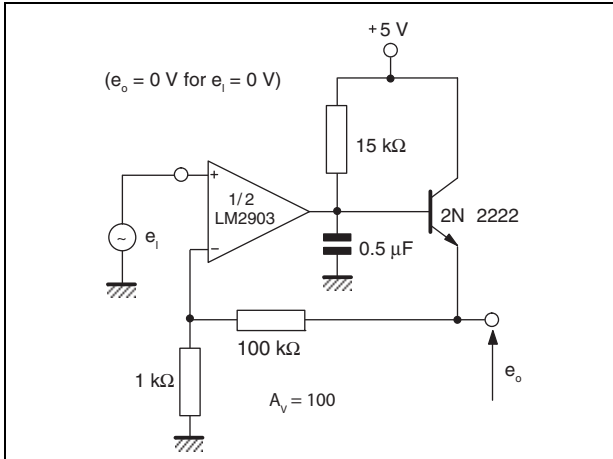


Figure 12. Transducer amplifier

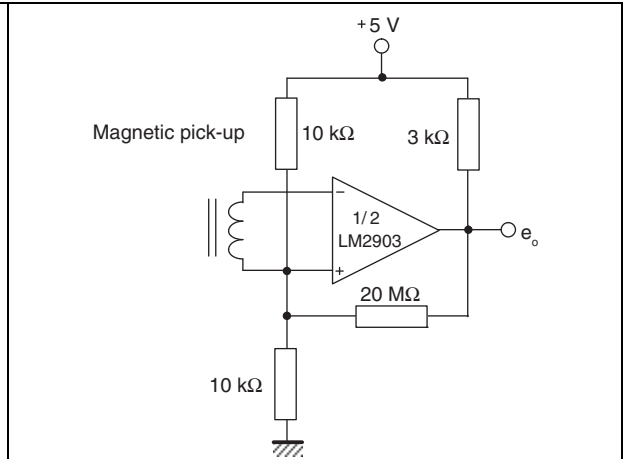


Figure 13. Low frequency op- amp with offset adjust

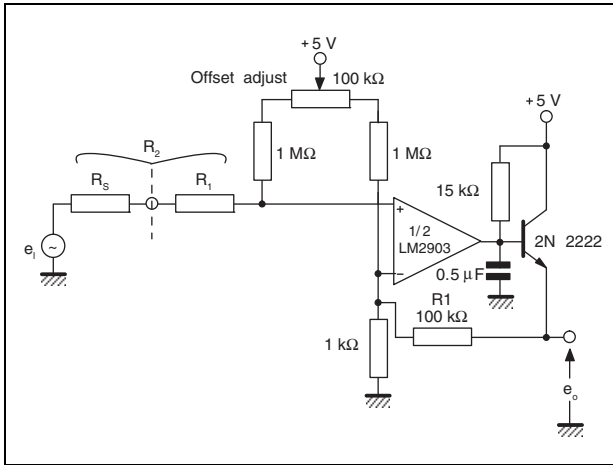


Figure 14. Zero crossing detector (single power supply)

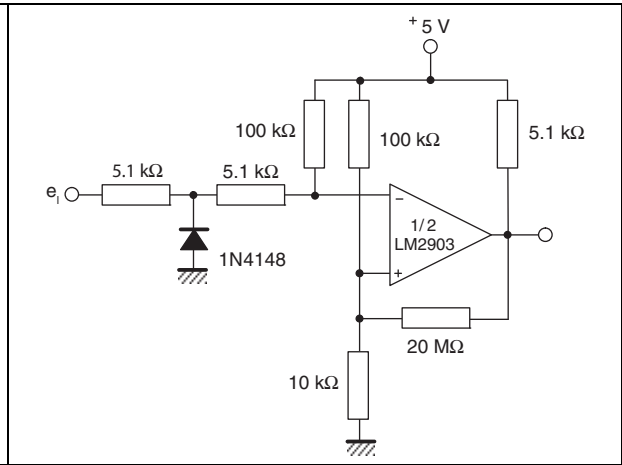


Figure 15. Limit comparator

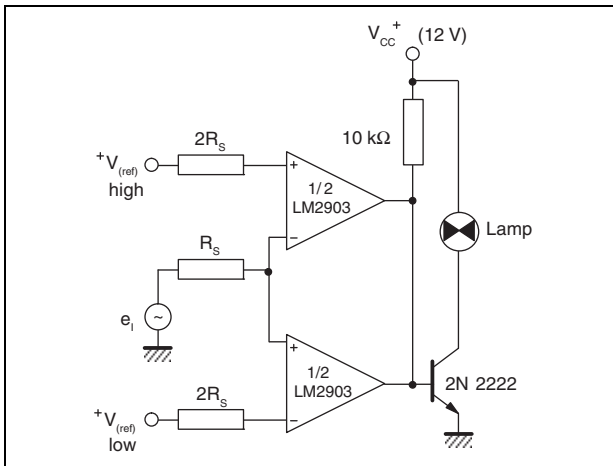


Figure 16. Split-supply applications - zero crossing detector

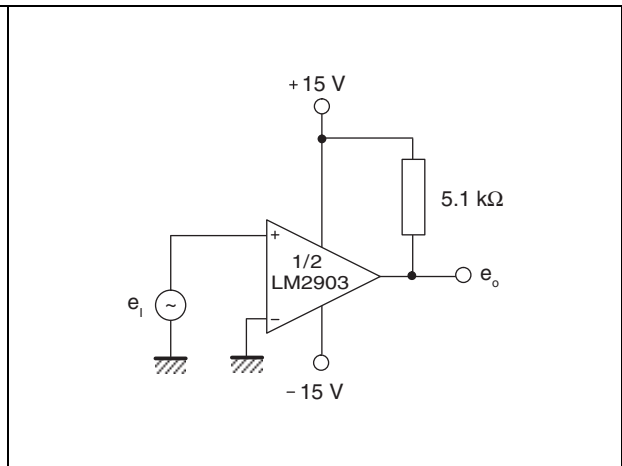


Figure 17. Crystal controlled oscillator

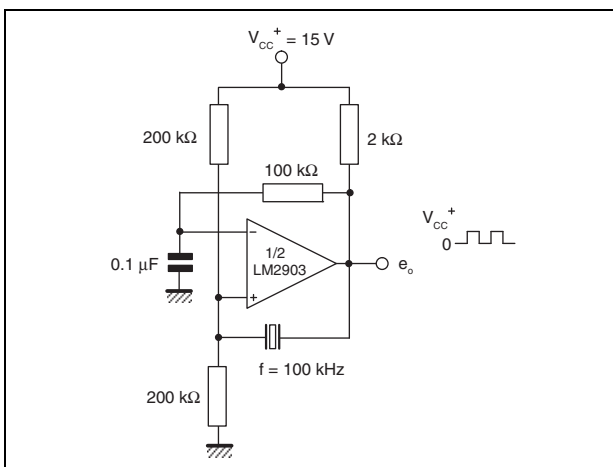


Figure 18. Comparator with a negative reference

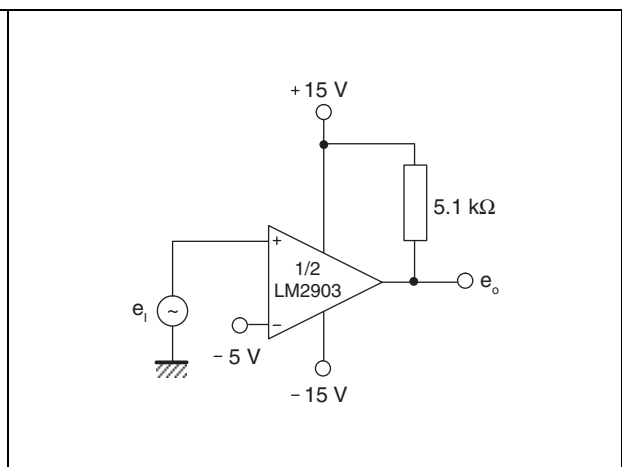


Figure 19. Time delay generator

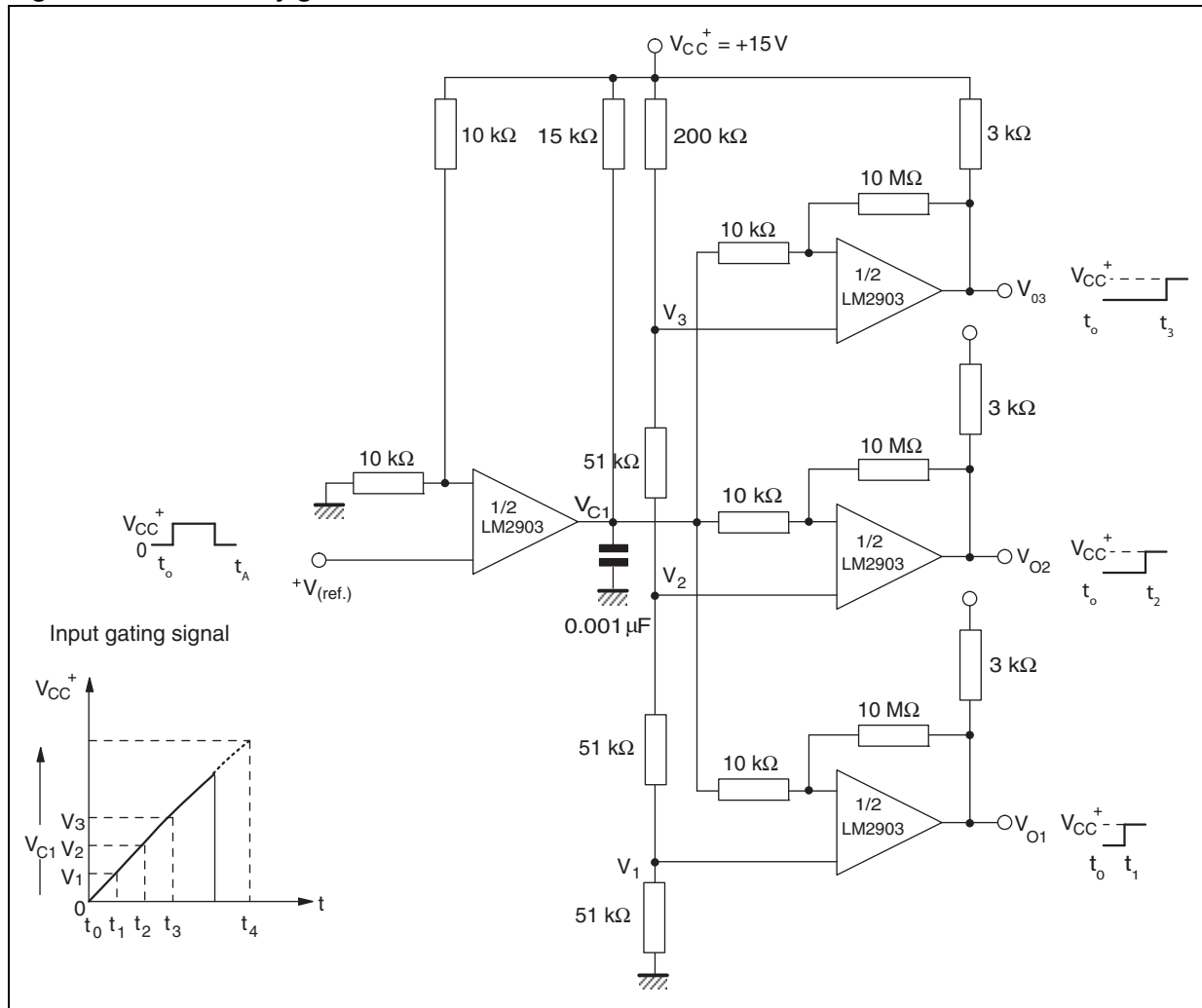
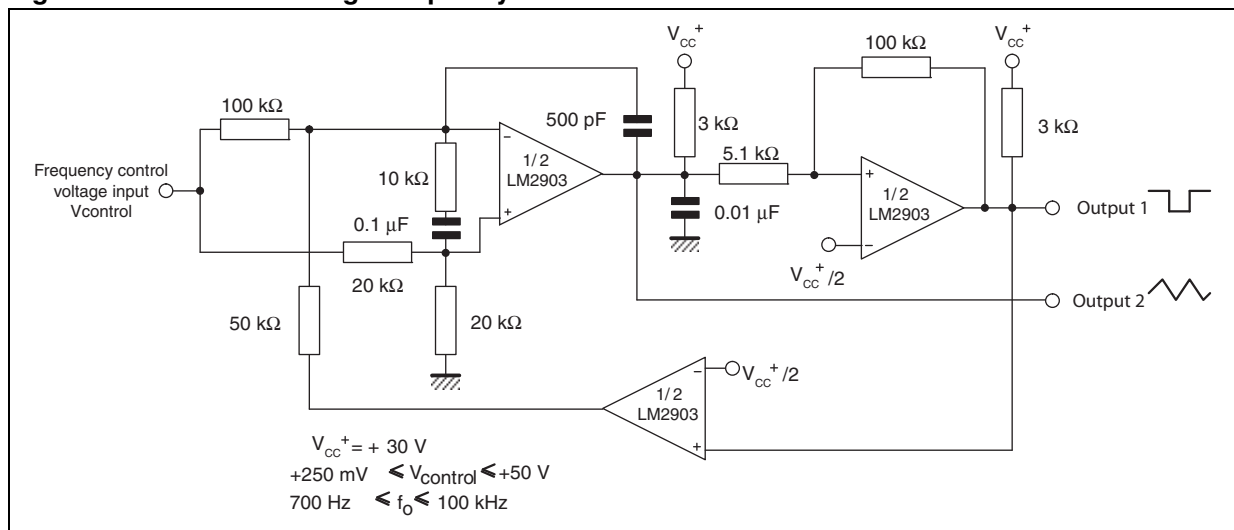


Figure 20. Two-decade high-frequency VCO



5 Package information

In order to meet environmental requirements, ST offers these devices in different grades of ECOPACK[®] packages, depending on their level of environmental compliance. ECOPACK[®] specifications, grade definitions and product status are available at: www.st.com. ECOPACK[®] is an ST trademark.

5.1 SO-8 package information

Figure 21. SO-8 package mechanical drawing

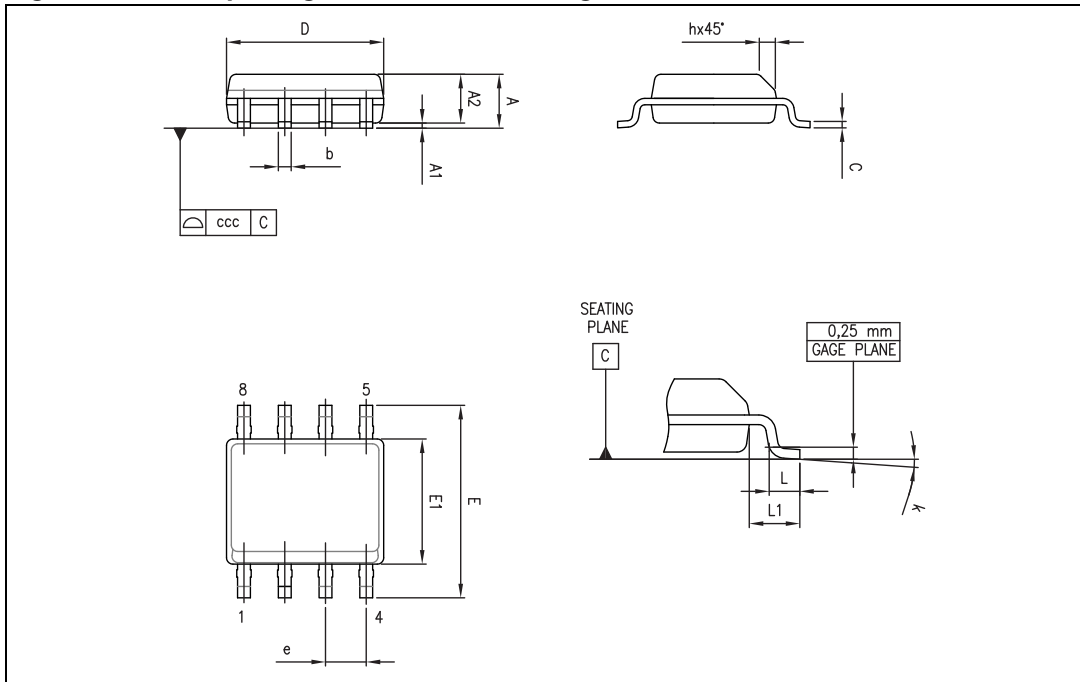


Table 4. SO-8 package mechanical data

Ref.	Dimensions					
	Millimeters			Inches		
	Min.	Typ.	Max.	Min.	Typ.	Max.
A			1.75			0.069
A1	0.10		0.25	0.004		0.010
A2	1.25			0.049		
b	0.28		0.48	0.011		0.019
c	0.17		0.23	0.007		0.010
D	4.80	4.90	5.00	0.189	0.193	0.197
E	5.80	6.00	6.20	0.228	0.236	0.244
E1	3.80	3.90	4.00	0.150	0.154	0.157
e		1.27			0.050	
h	0.25		0.50	0.010		0.020
L	0.40		1.27	0.016		0.050
L1		1.04			0.040	
k	1°		8°	1°		8°
ccc			0.10			0.004

5.2 TSSOP8 package information

Figure 22. TSSOP8 package mechanical drawing

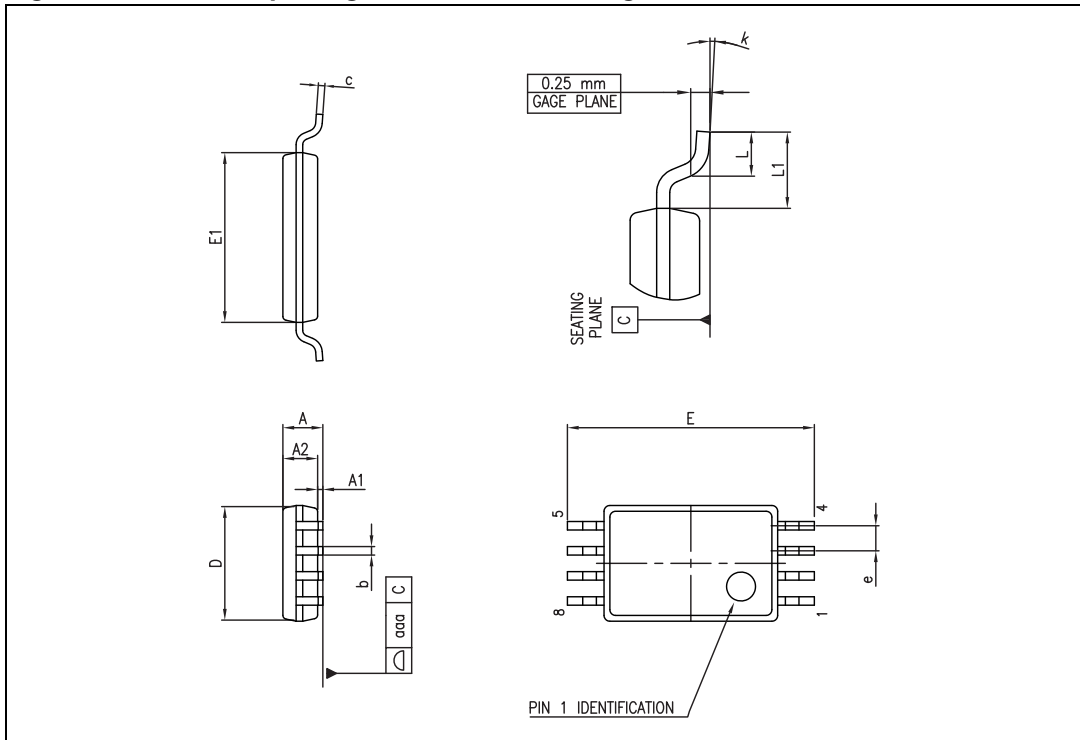


Table 5. TSSOP8 package mechanical data

Ref.	Dimensions					
	Millimeters			Inches		
	Min.	Typ.	Max.	Min.	Typ.	Max.
A			1.20			0.047
A1	0.05		0.15	0.002		0.006
A2	0.80	1.00	1.05	0.031	0.039	0.041
b	0.19		0.30	0.007		0.012
c	0.09		0.20	0.004		0.008
D	2.90	3.00	3.10	0.114	0.118	0.122
E	6.20	6.40	6.60	0.244	0.252	0.260
E1	4.30	4.40	4.50	0.169	0.173	0.177
e		0.65			0.026	
k	0°		8°	0°		8°
L	0.45	0.60	0.75	0.018	0.024	0.030
L1		1			0.039	
aaa			0.10			0.004

6 Ordering information

Table 6. Order codes

Order code	Temperature range	Package	Packing	Marking
LM2903WDT	-40°C to +125°C	SO-8	Tape & reel	2903W
LM2903WYDT ⁽¹⁾		SO-8 (Automotive grade)		2903WY
LM2903WPT		TSSOP8		2903W
LM2903WYPT ⁽¹⁾		TSSOP8 (Automotive grade)		903WY

1. Qualified and characterized according to AEC Q100 and Q003 or equivalent, advanced screening according to AEC Q001 and Q 002 or equivalent.

7 Revision history

Table 7. Document revision history

Date	Revision	Changes
18-Jan-2012	1	Initial release.
05-Nov-2012	2	Added TSSOP8 package Modified note 2 in Table 1: Absolute maximum ratings Modified note 1 in Table 6: Order codes

Please Read Carefully:

Information in this document is provided solely in connection with ST products. STMicroelectronics NV and its subsidiaries ("ST") reserve the right to make changes, corrections, modifications or improvements, to this document, and the products and services described herein at any time, without notice.

All ST products are sold pursuant to ST's terms and conditions of sale.

Purchasers are solely responsible for the choice, selection and use of the ST products and services described herein, and ST assumes no liability whatsoever relating to the choice, selection or use of the ST products and services described herein.

No license, express or implied, by estoppel or otherwise, to any intellectual property rights is granted under this document. If any part of this document refers to any third party products or services it shall not be deemed a license grant by ST for the use of such third party products or services, or any intellectual property contained therein or considered as a warranty covering the use in any manner whatsoever of such third party products or services or any intellectual property contained therein.

UNLESS OTHERWISE SET FORTH IN ST'S TERMS AND CONDITIONS OF SALE ST DISCLAIMS ANY EXPRESS OR IMPLIED WARRANTY WITH RESPECT TO THE USE AND/OR SALE OF ST PRODUCTS INCLUDING WITHOUT LIMITATION IMPLIED WARRANTIES OF MERCHANTABILITY, FITNESS FOR A PARTICULAR PURPOSE (AND THEIR EQUIVALENTS UNDER THE LAWS OF ANY JURISDICTION), OR INFRINGEMENT OF ANY PATENT, COPYRIGHT OR OTHER INTELLECTUAL PROPERTY RIGHT.

UNLESS EXPRESSLY APPROVED IN WRITING BY TWO AUTHORIZED ST REPRESENTATIVES, ST PRODUCTS ARE NOT RECOMMENDED, AUTHORIZED OR WARRANTED FOR USE IN MILITARY, AIR CRAFT, SPACE, LIFE SAVING, OR LIFE SUSTAINING APPLICATIONS, NOR IN PRODUCTS OR SYSTEMS WHERE FAILURE OR MALFUNCTION MAY RESULT IN PERSONAL INJURY, DEATH, OR SEVERE PROPERTY OR ENVIRONMENTAL DAMAGE. ST PRODUCTS WHICH ARE NOT SPECIFIED AS "AUTOMOTIVE GRADE" MAY ONLY BE USED IN AUTOMOTIVE APPLICATIONS AT USER'S OWN RISK.

Resale of ST products with provisions different from the statements and/or technical features set forth in this document shall immediately void any warranty granted by ST for the ST product or service described herein and shall not create or extend in any manner whatsoever, any liability of ST.

ST and the ST logo are trademarks or registered trademarks of ST in various countries.

Information in this document supersedes and replaces all information previously supplied.

The ST logo is a registered trademark of STMicroelectronics. All other names are the property of their respective owners.

© 2012 STMicroelectronics - All rights reserved

STMicroelectronics group of companies

Australia - Belgium - Brazil - Canada - China - Czech Republic - Finland - France - Germany - Hong Kong - India - Israel - Italy - Japan - Malaysia - Malta - Morocco - Philippines - Singapore - Spain - Sweden - Switzerland - United Kingdom - United States of America

www.st.com

Mouser Electronics

Authorized Distributor

Click to View Pricing, Inventory, Delivery & Lifecycle Information:

[STMicroelectronics:](#)

[LM2903WDT](#) [LM2903WYDT](#) [LM2903WYPT](#)