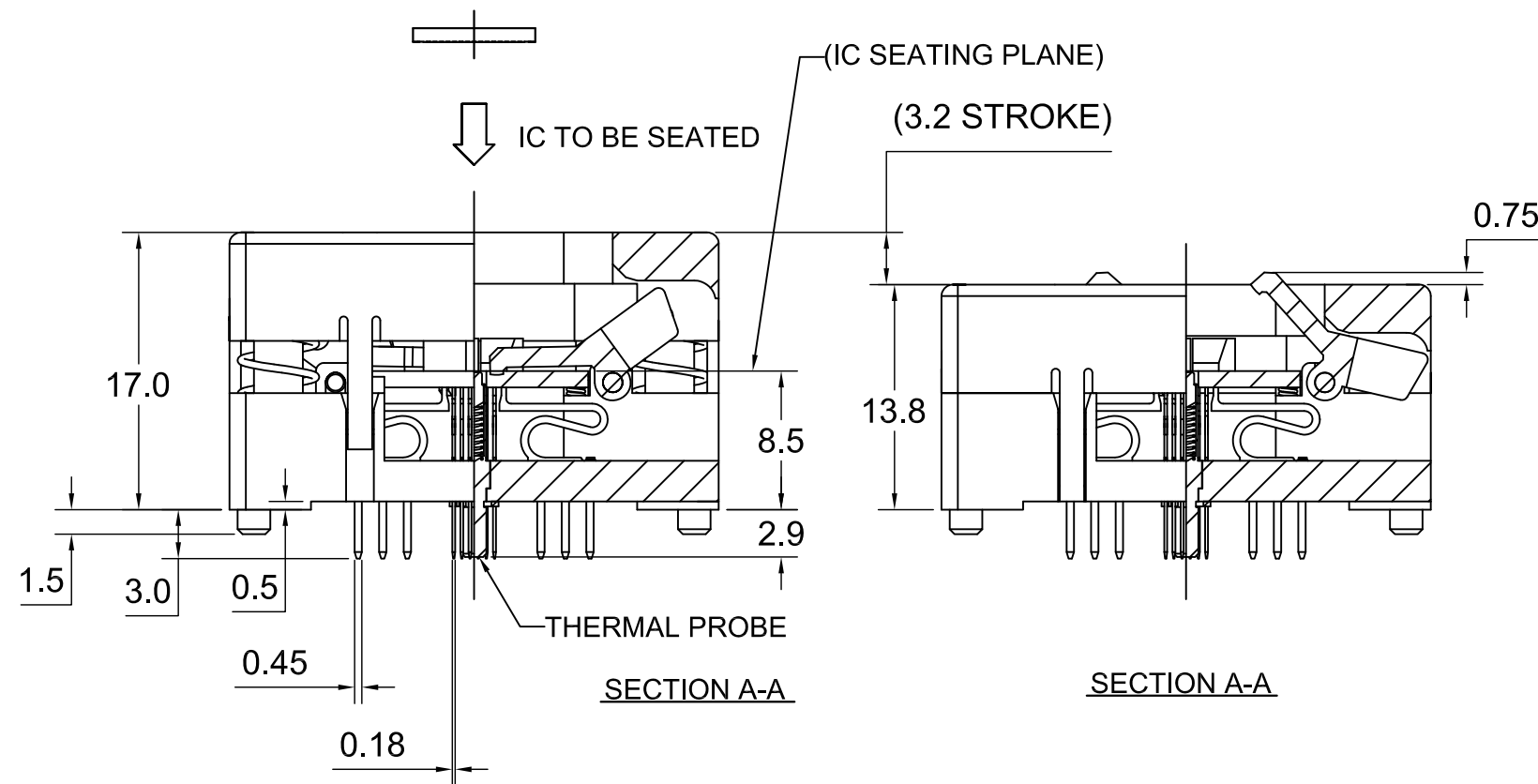
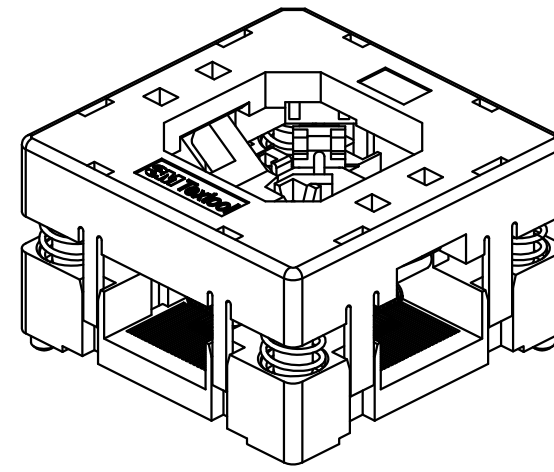
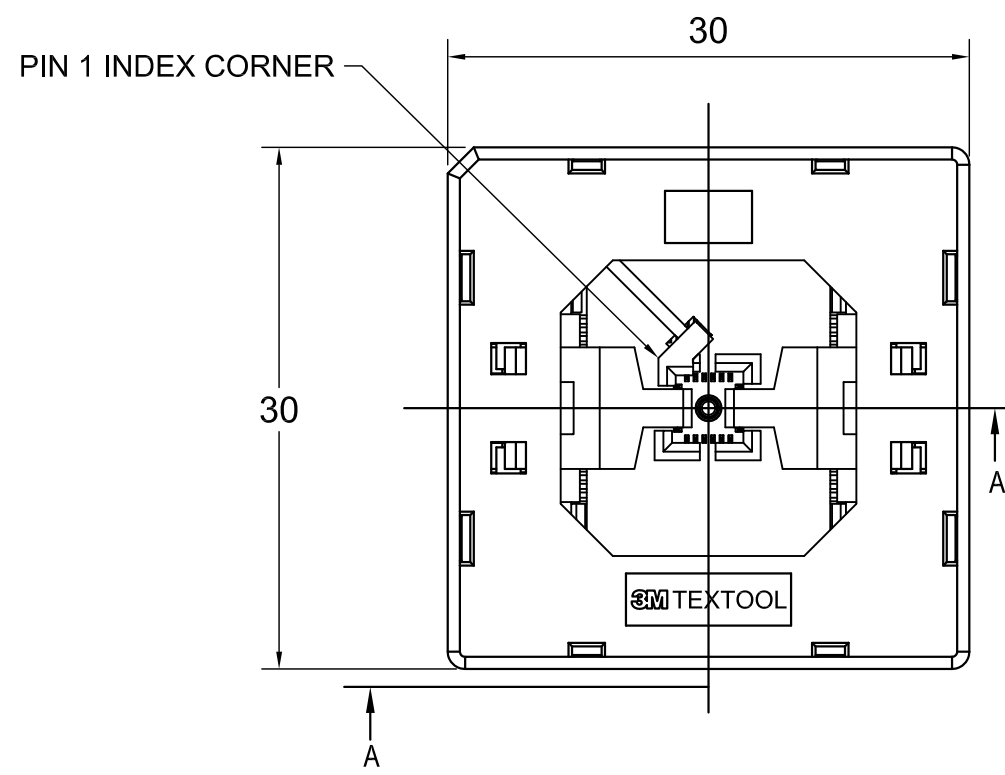


3M™ TEXTTOOL™ QFN TEST AND BURN-IN SOCKET



NOTES:

1. MATERIALS:

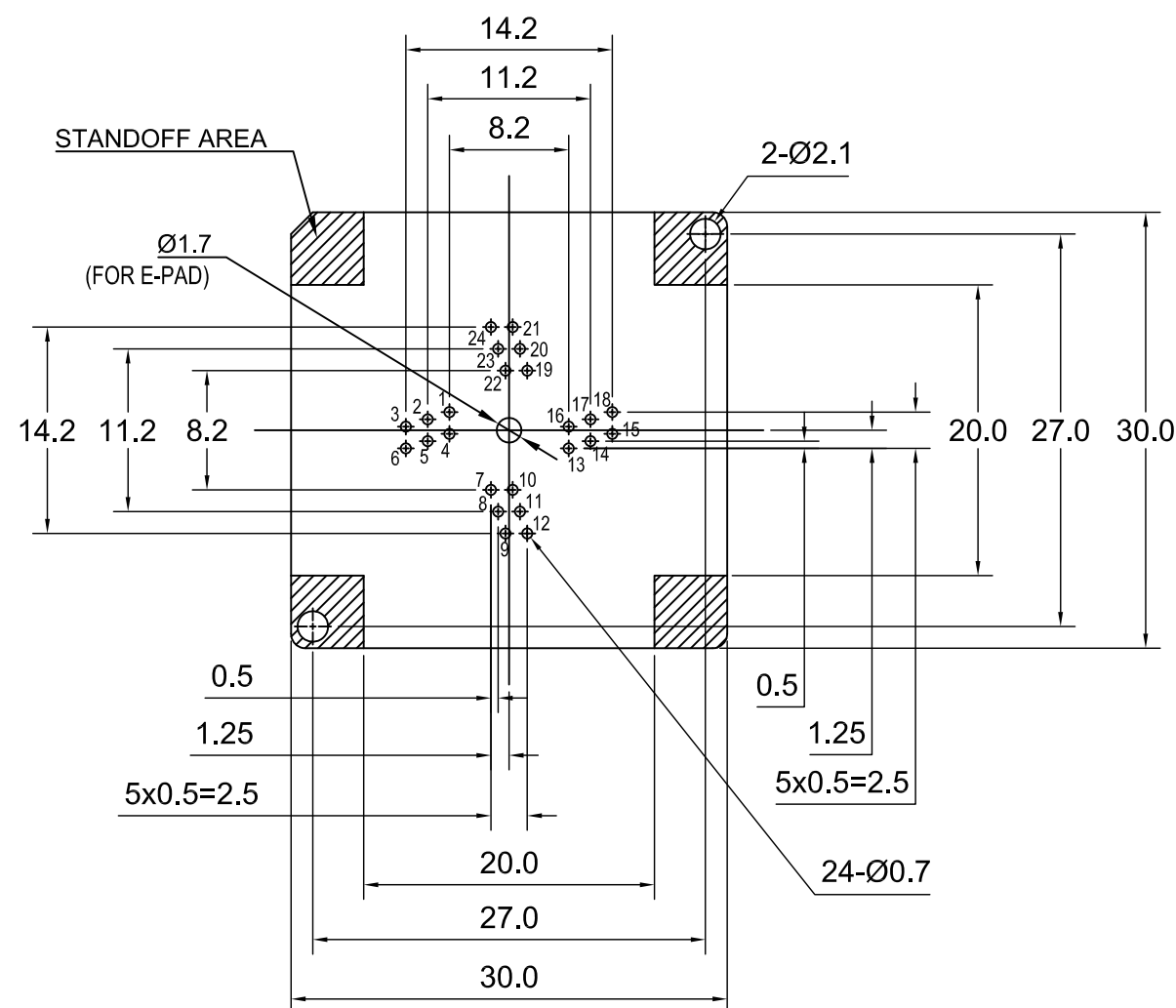
SPRINGS	SS	
CONTACTS	Be Cu	PLATING : Au
IC GUIDES	PES	COLOR : BLACK
PRESSURE PAD	PES	COLOR : BLACK
COVER	PPS or equiv.	COLOR : BLACK
BASE	PES	COLOR : BLACK

2. SEE THE REGULATORY INFORMATION APPENDIX (RIA) IN THE "RoHS COMPLIANCE" SECTION WWW.3MCONNECTOR.COM FOR COMPLIANCE INFORMATION (RIA E1 & C1 APPLY).

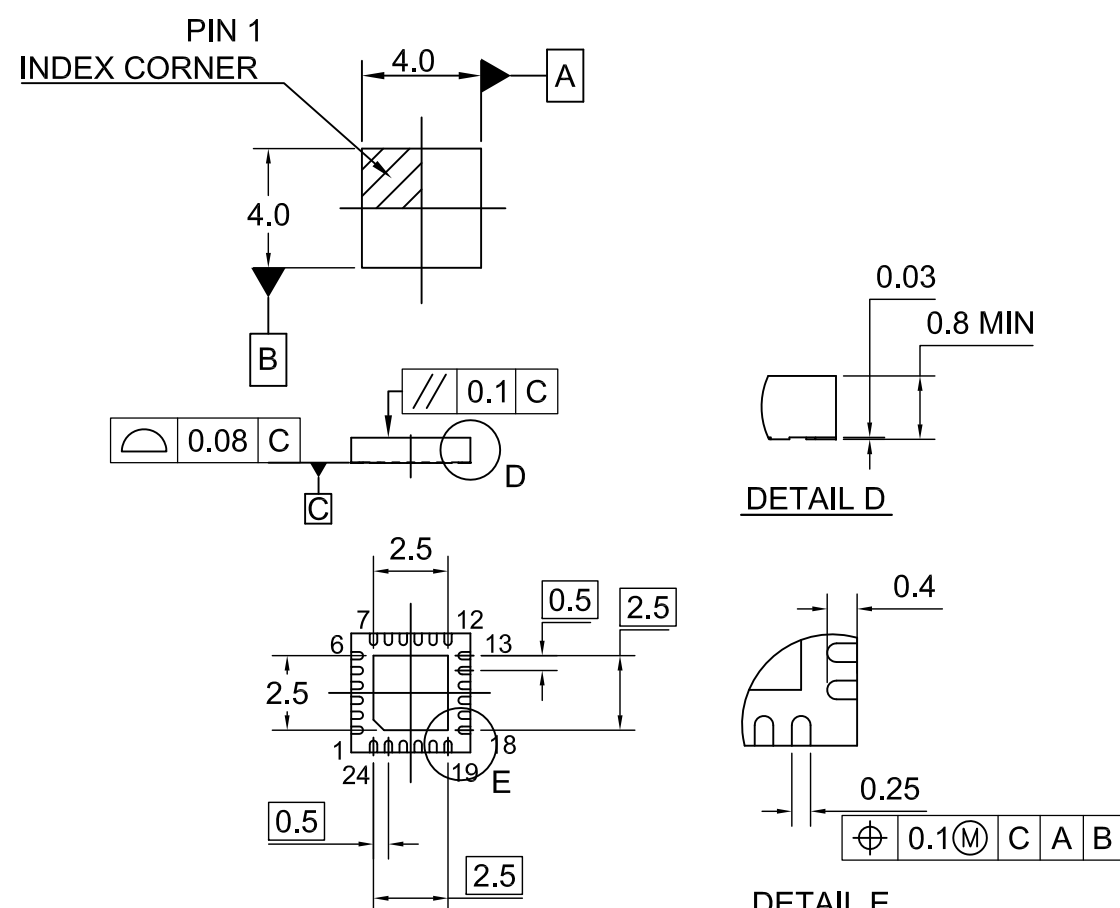
3. FOR PRODUCT SPECIFICATIONS AND WARRANTY INFORMATION SEE:

WWW.3MCONNECTOR.COM PN 224-5205-01

DESIGN REFERENCE		NEXT ASSEMBLY		REV	ECO	ISSUE DATE AND DESCRIPTION		DRFT	CHKD
DISTRIBUTION CODES				DRFT	L SCHMIDT		DATE 4/2/12	MFG	DATE
DIVISION		DIVISION CODE		CHKD			DATE	APPVL	DATE
DO NOT SCALE DRAWING	SCALE 5/1	TOLERANCES EXCEPT AS NOTED				© 3M COPYRIGHT 2012 This document is the copyrighted property of the 3M Company and may not be reproduced without 3M written permission or used for other than 3M authorized purposes.			
THIRD ANGLE PROJECTION		INTERPRET PER ASME Y14.5 - 1994		INCHES .0 ± .1 .00 ± .02 .000 ± .005 .0000 ± .0002		TITLE QFN TEST SOCKET 0.5mm 24 POS, EVEN ROW, 4X4 PKG WITH TP			
MAX SURFACE ROUGHNESS 125		<input type="checkbox"/> ALL SURFACES <input checked="" type="checkbox"/> MARKED ONLY		MILLIMETERS 0 ± .1 .00 ± .005 .000 ± .0002		CAGE NUMBER	SIZE	DRAWING NO.	REV.
ANGLS ± 1°				MODEL	TEXTTOOL - QFN	DET. LISTS	<input type="checkbox"/> YES <input checked="" type="checkbox"/> NO	SHT 1 OF 2	C 78-5100-2519-6 A



FOOTPRINT AS VIEWED LOOKING DOWN FROM TOP OF SOCKET



RECOMMENDED IC (REF.)

DESIGN REFERENCE		NEXT ASSEMBLY		REV	ECO	ISSUE DATE AND DESCRIPTION		DRFT	CHKD
DISTRIBUTION CODES				L SCHMIDT		DATE	4/2/12	MFG	DATE
				CHKD		DATE		APPVL	DATE
DIVISION		DIVISION CODE		3M 3M Center St. Paul, MN 55144		© 3M COPYRIGHT 2012 This document is the copyrighted property of the 3M Company and may not be reproduced without 3M written permission or used for other than 3M authorized purposes.			
DO NOT SCALE DRAWING		SCALE	TOLERANCES EXCEPT AS NOTED						
		5		INCHES		TITLE QFN TEST SOCKET 0.5mm 24 POS, EVEN ROW, 4X4 PKG WITH TP			
		1		MILLIMETERS					
THIRD ANGLE PROJECTION		INTERPRET PER ASME Y14.5 - 1994		0 ± .1 .00 ± .02 .000 ± .005 .0000 ± .0002		CAGE NUMBER C DRAWING NO. 78-5100-2519-6 REV. A			
MAX SURFACE ROUGHNESS		125		0 ± .00 .00 ± .000					
125		<input type="checkbox"/> ALL SURFACES <input checked="" type="checkbox"/> MARKED ONLY		ANGLES ± 1°		MODEL TEXTTOOL - QFN		DET. LISTS <input type="checkbox"/> YES <input checked="" type="checkbox"/> NO SHT 2 OF 2	

Mouser Electronics

Authorized Distributor

Click to View Pricing, Inventory, Delivery & Lifecycle Information:

[3M:](#)

[224-5205-01](#)