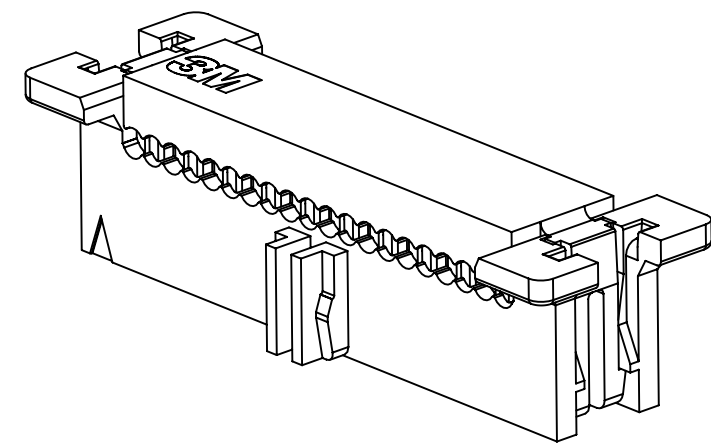
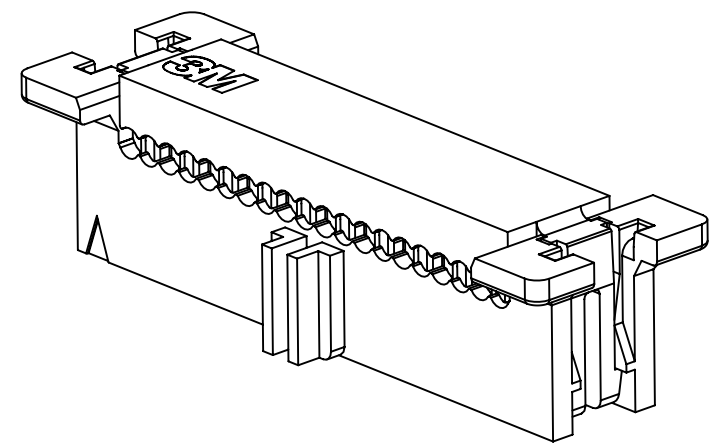


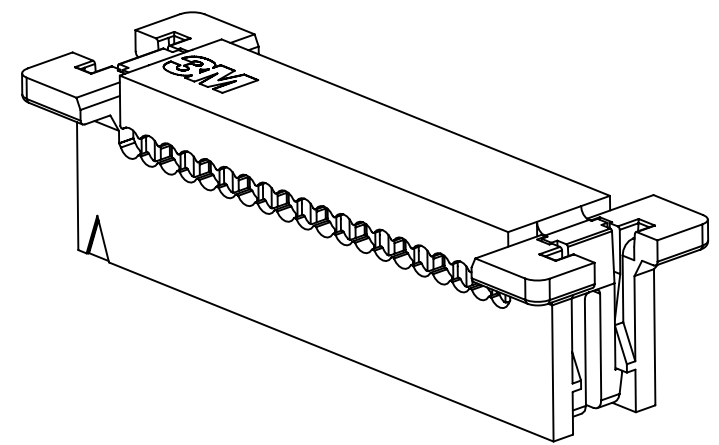
3M™ RIBBON CABLE WIREMOUNT SOCKET ASSEMBLY,  
 .05" X .05" (1.27mm X 1.27mm) PITCH, 451 SERIES



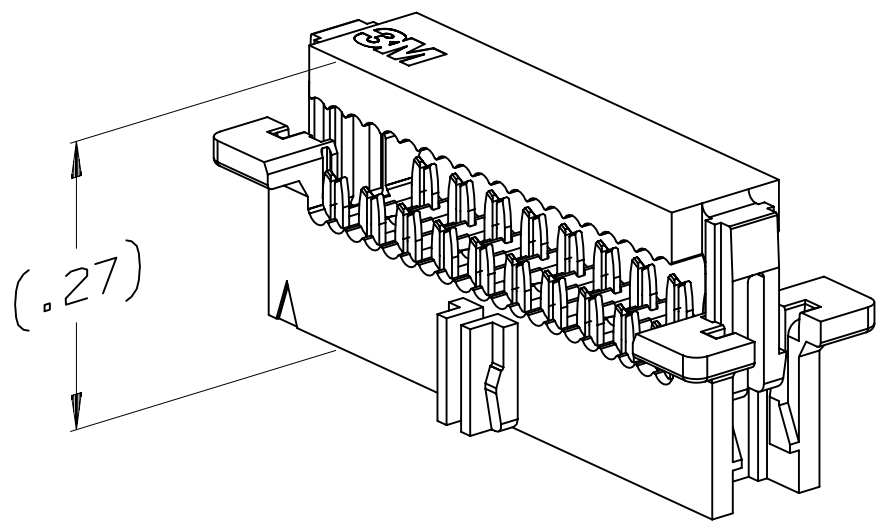
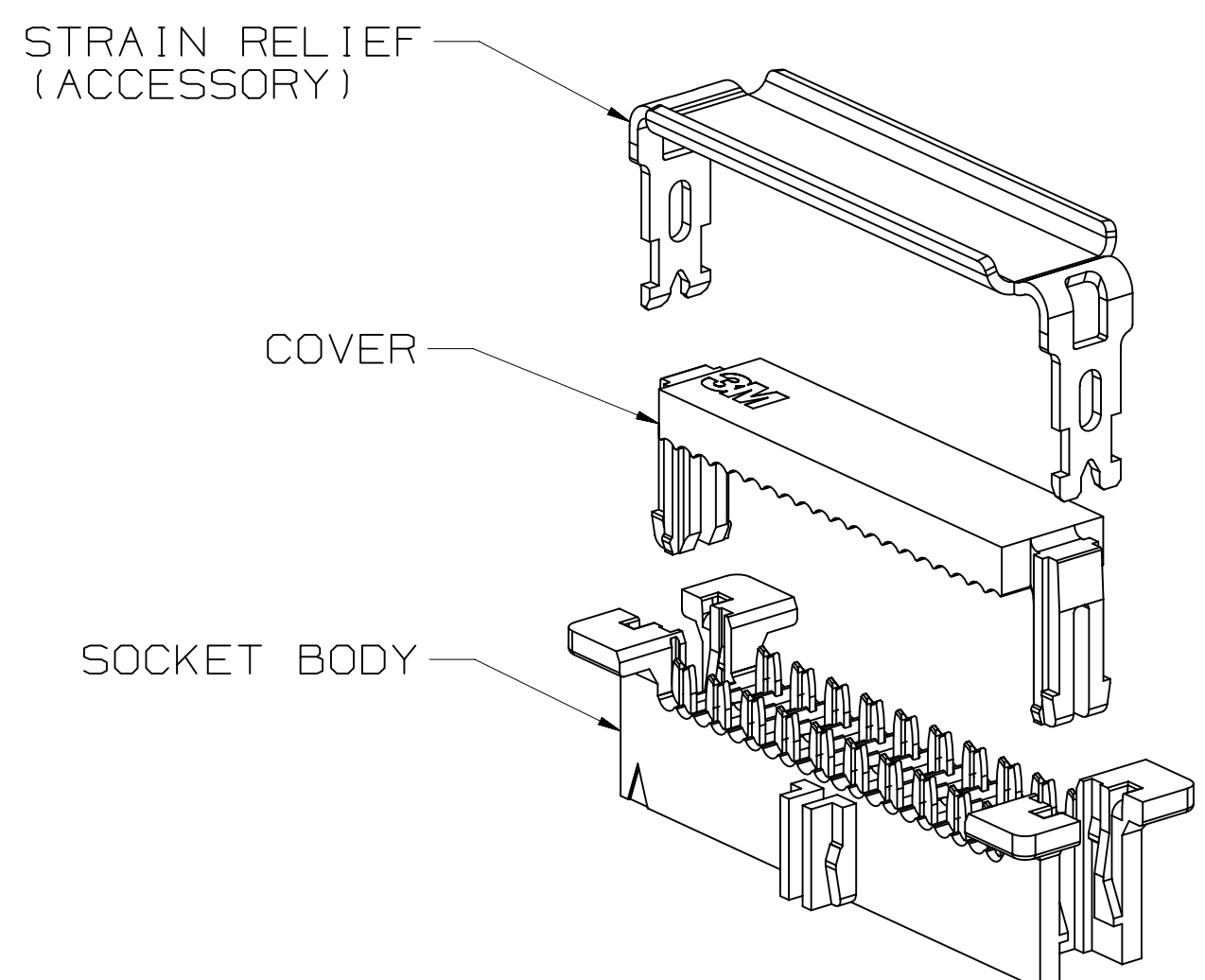
CENTER POLARIZATION  
AND FRICTION LATCH



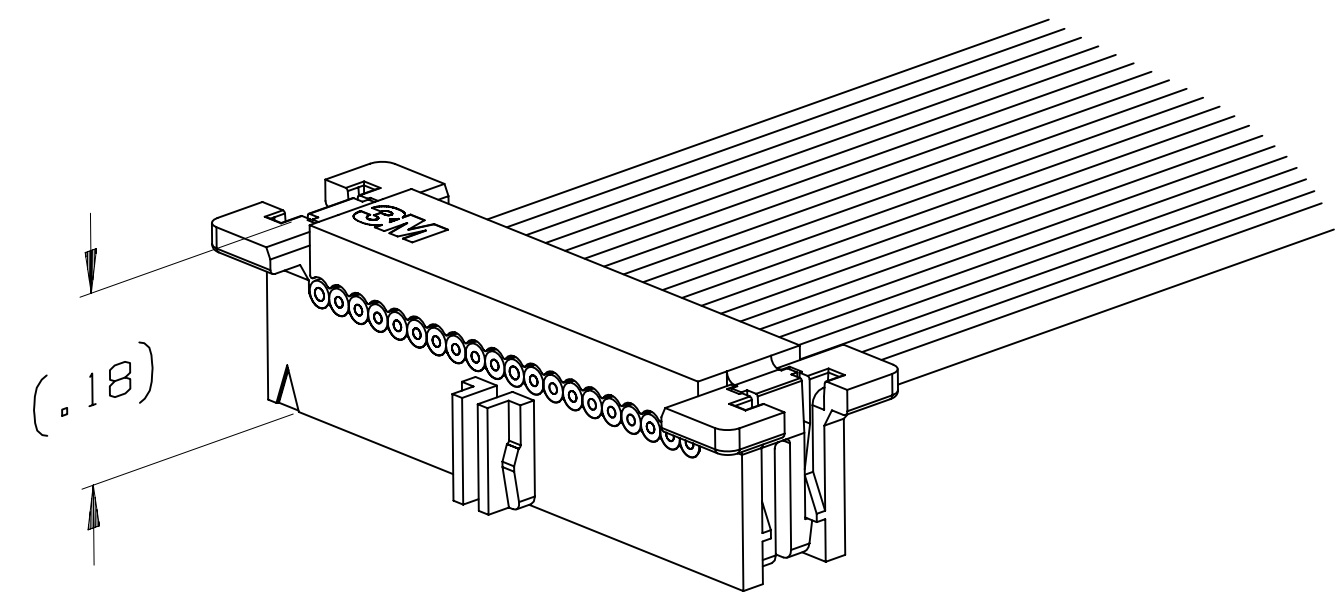
CENTER POLARIZATION  
AND NO FRICTION LATCH



NO CENTER POLARIZATION  
AND NO FRICTION LATCH

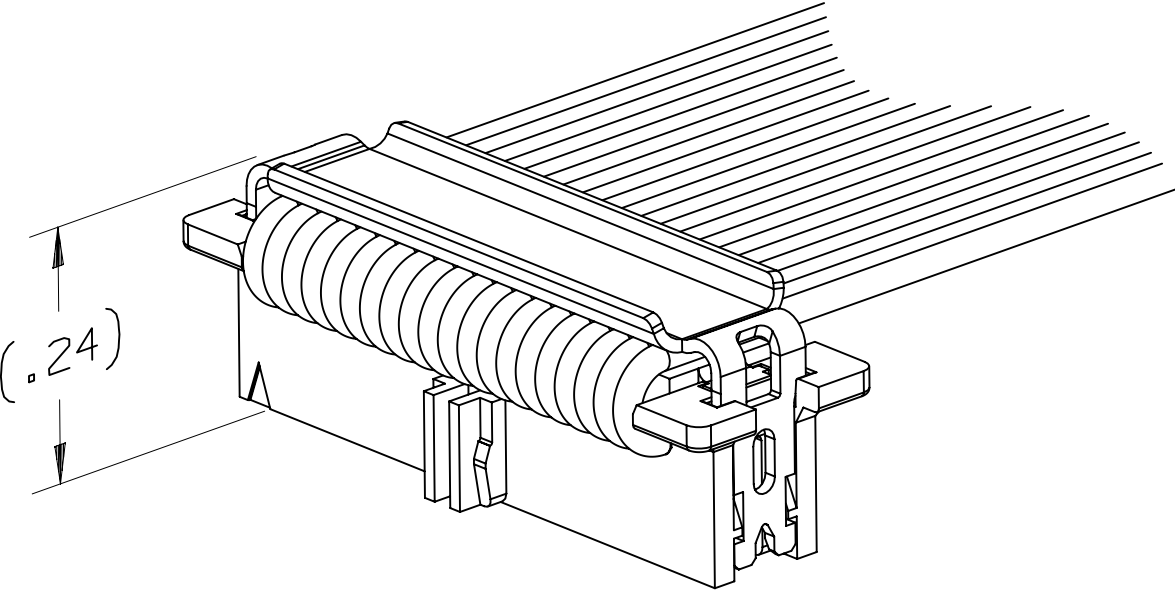


PRE-POSITIONED COVER



NO STRAIN RELIEF

TERMINATED  
CONNECTOR



WITH OPTIONAL  
STRAIN RELIEF

Performance:	
Current Rating:	1.0 A, all lines energized, 30C temp rise per EIA 364-70 1.5 A, 6 lines energized, 30C temp rise per EIA 364-70 2.5 A, 1 line energized, 30C temp rise per EIA 364-70
Voltage Rating:	125V min
Insulation Resistance:	> 1 x 10 <sup>9</sup> Ohms at 500 VDC
Withstanding Voltage:	1250VACrms at sea level
Operating Temperature:	-55°C to +105°C

ORDERING INFORMATION  
FOR RAPID INSTALLATION ON  
RIBBON CABLE APPLICATIONS

451 XX - 0 X 0 0 XX

SERIES ——— POSITION COUNT ——— PLATING  
04 - 30 ——— 00 = AU FLASH  
SEE TABLE 1 ——— 30 = 30μ" GOLD

OPTIONAL FEATURES  
0 = NONE SPECIFIED

PACKAGING  
0 = STANDARD (TRAYS)

CENTER POLARIZATION / FRICTION LATCH  
 0 = NO CENTER POLARIZATION (CP) (04-30 POS.)  
 1 = CP NO FRICTION LATCH (08 - 30 POS.)  
 2 = CP WITH FRICTION LATCH (08 - 30 POS.)

NOTE:  
FRICTION LATCH (OPTION 2) IS NOT SUITABLE  
FOR HEADER WITH LATCH EJECT OPTION

ACCESSORY: STRAIN RELIEF  
3448-451XX

POSITION COUNT  
04 - 30

APPLICATION TOOLING:  
ALUMINUM: 3443-82-XX

POSITION COUNT  
04 - 30

- NOTES
- MATERIAL:  
BODY: PBT, UL94V-0  
COVER: PBT, UL94V-0  
STRAIN RELIEF: 304 STAINLESS STEEL  
CONTACTS: COPPER ALLOY.
  - PLATING:  
50-150μ" NICKEL UNDERPLATE  
30 = 30μ" MIN. GOLD ON WIPING AREA  
00 = FLASH GOLD ON WIPING AREA.
  - RIBBON CABLE COMPATIBILITY:  
GENERAL:  
0.025" PITCH PVC, PO, TPE, OR FEP CABLE 30 AWG, SOLID OR 7 STRAND.  
RECOMMENDED:  
3M 3754, 3749, HF447 SERIES CABLE.
  - MATING COMPATIBILITY:  
3M .050" X .050" SERIES 452 HEADER WITH LATCH/EJECT OPTION.
  - REGULATORY INFORMATION:  
ROHS COMPLIANT. SEE THE REGULATORY INFORMATION APPENDIX (RIA) IN THE "ROHS COMPLIANCE" SECTION OF WWW.3MCONNECTORS.COM FOR COMPLIANCE INFORMATION (RIA E1 & C1 APPLY)
  - IN THE EVENT OF CONFLICT BETWEEN THIS DATA AND THAT CONTAINED IN THE PRODUCT SPECIFICATION, THE PRODUCT SPECIFICATION TAKES PRECEDENT.
  - REFERENCE RELATED DOCUMENTS:  
PRODUCT SPECIFICATION:  
3M DOC. ID# 78-5102-0091-4.
  - TOOLING AND INSTALLATION INSTRUCTIONS:  
3M DOC. ID# 78-9101-5361-4
  - OTHER PIN COUNTS AVAILABLE UPON REQUEST. CONTACT 3M.
  - PACKAGING:  
SOCKET: TRAY  
COVER: BAG

3M™ ELECTRONIC SOLUTIONS DIVISION  
INTERCONNECT SOLUTIONS  
<http://www.3mconnectors.com>

3M IS A TRADEMARK OF 3M COMPANY.  
FOR TECHNICAL, SALES OR ORDERING  
INFORMATION CALL 800-225-5373

DESIGN REFERENCE	NEXT ASSEMBLY	REV	ECO	ISSUE DATE AND DESCRIPTION	DRFT	CHKD
		B	48635	JUL 12, 2013 MATCH TEXT FONTS & ADD NOTE 10	JNC	SN
		A	46797	MAR 25, 2013 PRODUCTION RELEASE	JNC	SAN

DATE	DATE	DATE	DATE
ARM	FEB 11, 2011	MFG	
CHKD		APPRV	FEB 11, 2011
		SAN	

DIVISION	DIVISION CODE
Interconnect Solutions	ISD

DO NOT SCALE DRAWING	SCALE	TOLERANCES EXCEPT AS NOTED
	6/1	

INCHES	MILLIMETERS
.0	± .1
.00	± .02
.000	± .010
.0000	± .005

INTERPRET PER ASME Y14.5 - 1994	THIRD ANGLE PROJECTION

MAX SURFACE ROUGHNESS	MAX SURFACE ROUGHNESS
0.8	0.8
0.4	0.4
0.2	0.2

TITLE	CAGE NUMBER	SIZE	DRAWING NO.	REV.
RIBBON CABLE SOCKET, .05 X .05 PITCH, 451 SERIES	D		78-5100-2436-3	B

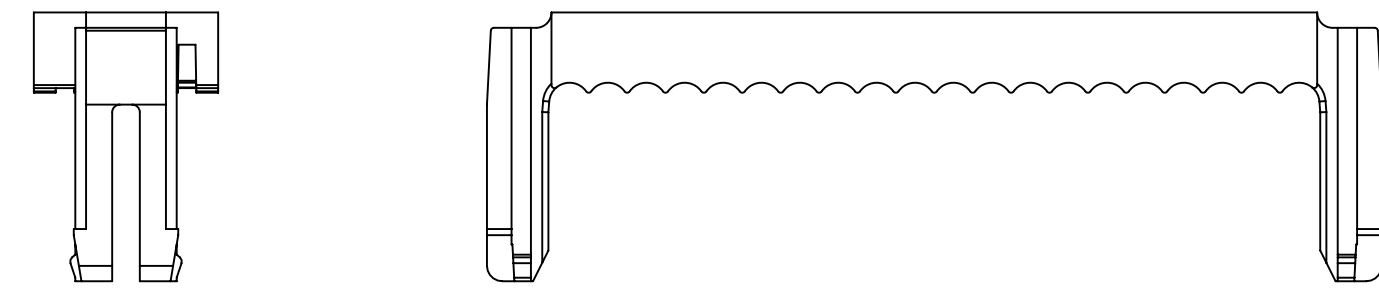
MODEL: [ ] DET: [ ] YES [ ] NO [ ] SHT 1 OF 2

78-5100-2436-3 REV B 7/12/2013 2:35 PM UTC-05:00

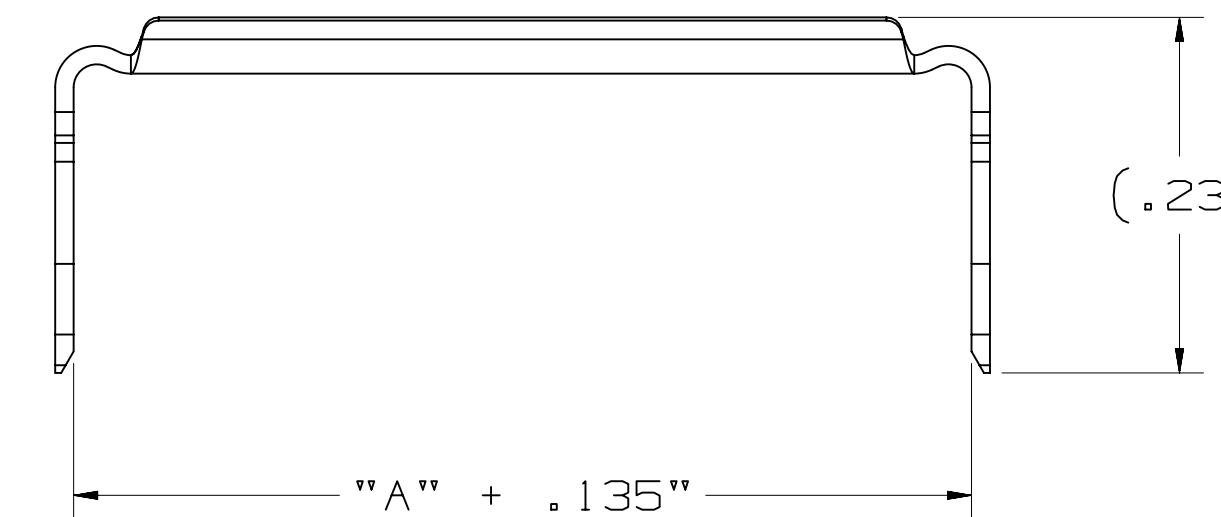
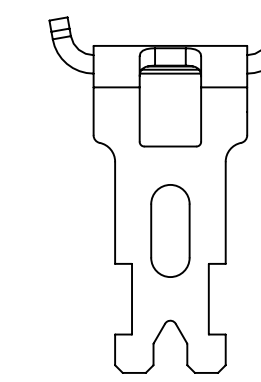
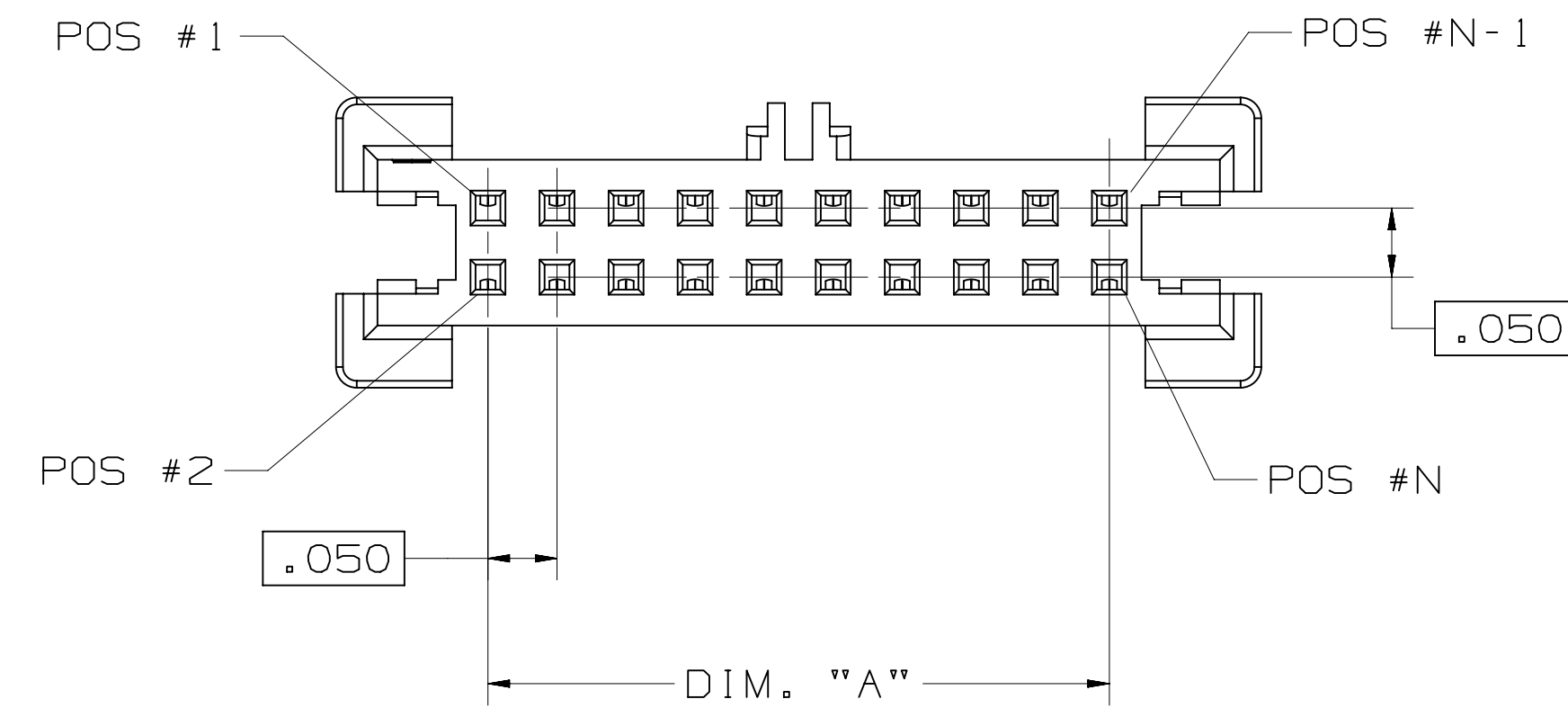
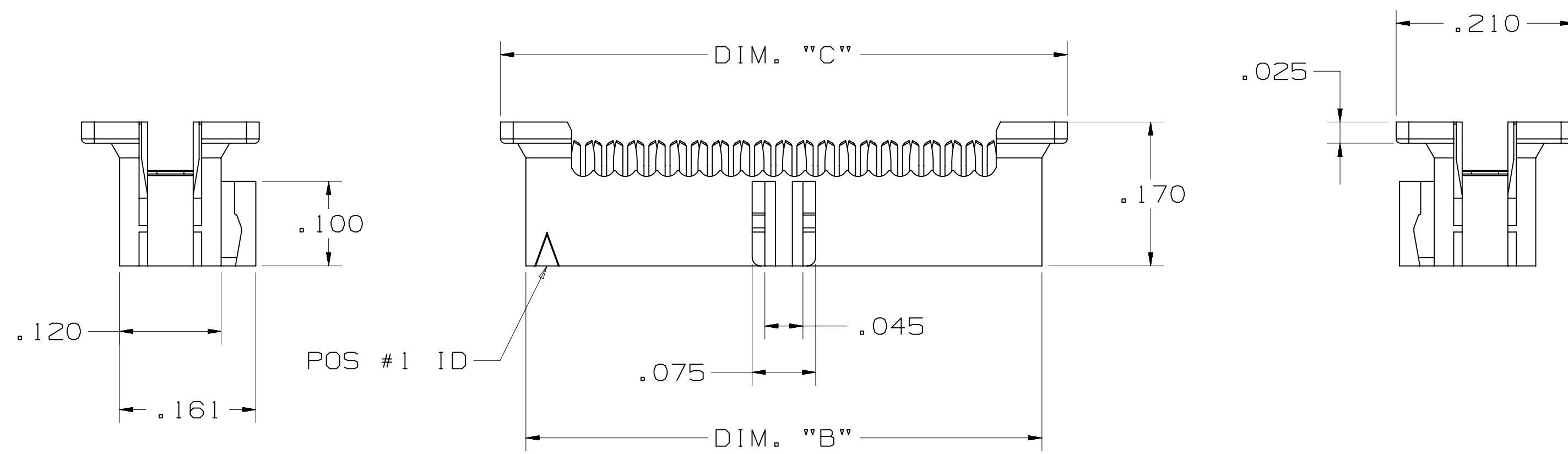
3M™ RIBBON CABLE WIREMOUNT SOCKET ASSEMBLY,  
 .05" X .05" (1.27mm X 1.27mm) PITCH, 451 SERIES

TABLE 1

No. Positions	Dim "A"	Dim "B"	Dim "C"
4	.050	.210	.270
6	.100	.260	.320
8	.150	.310	.370
10	.200	.360	.420
12	.250	.410	.470
14	.300	.460	.520
16	.350	.510	.570
20	.450	.610	.670
30	.700	.860	.920



COVER



ACCESSORY - STRAIN RELIEF  
 PART NUMBER 3448-451XX

REV	ECO	ISSUE DATE AND DESCRIPTION	DRFT	CHKD
B	48635	JUL 12, 2013 MATCH TEXT FONTS & ADD NOTE 10	JNC	SN
A	46797	MAR 25, 2013 PRODUCTION RELEASE	JNC	SAN
DATE	DATE	DATE	DATE	DATE
FEB 11, 2011	FEB 11, 2011	FEB 11, 2011	FEB 11, 2011	FEB 11, 2011

DESIGN REFERENCE	NEXT ASSEMBLY	DIVISION CODE	DIVISION
		ISD	Interconnect Solutions
DO NOT SCALE DRAWING	SCALE 4/1	TOLERANCES EXCEPT AS NOTED	
THIRD ANGLE PROJECTION	INTERPRET PER ASME Y14.5 - 1994	INCHES: .0 ± .1, .00 ± .02, .000 ± .010, .0000 ± .005	MILLIMETERS: 0 ± .1, .00 ± .01, .000 ± .005
MAX SURFACE ROUGHNESS	MARKED ONLY	© 3M COPYRIGHT 2013 This document and the information it contains are 3M property and may not be reproduced or further distributed without 3M permission, or used or disclosed other than for 3M authorized purposes. All rights reserved.	
TITLE		RIBBON CABLE SOCKET, .05 X .05 PITCH, 451 SERIES	
CAGE NUMBER	SIZE	DRAWING NO.	REV.
D		78-5100-2436-3	B
MODEL	DET	IS1s	YES NO SHT 2 OF 2

78-5100-2436-3  
 DRAWING NUMBER  
 B  
 REVISION  
 A  
 7/12/2013 2:35 PM UTC-05:00  
 Imaged: B.1 7/12/2013 2:35 PM UTC-05:00

# Mouser Electronics

Authorized Distributor

Click to View Pricing, Inventory, Delivery & Lifecycle Information:

[3M:](#)

[3448-45114](#) [3448-45120](#) [3448-45104](#) [3443-82-12](#) [3448-45116](#) [3443-82-14](#) [3443-82-04](#) [3448-45112](#) [3443-82-08](#)  
[3443-82-20](#) [3448-45106](#) [3443-82-10](#) [3443-82-06](#) [3448-45110](#) [3448-45130](#) [3443-82-16](#) [3443-82-30](#) [3448-45108](#)