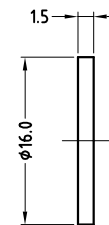
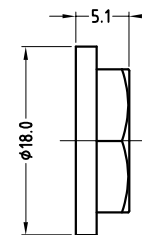


FIBRE WASHER

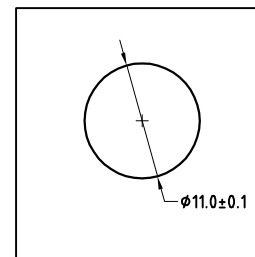
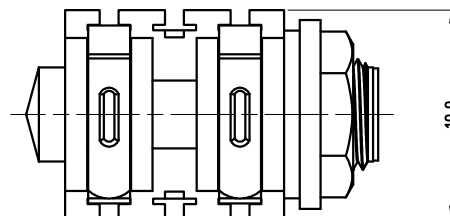
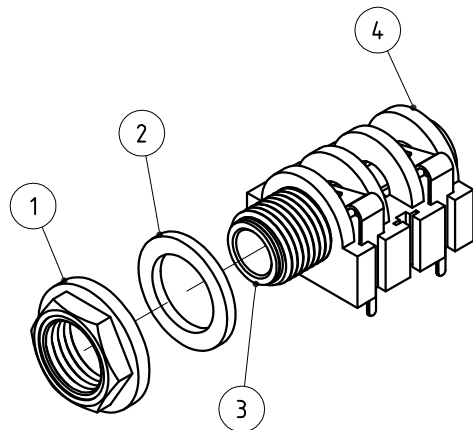
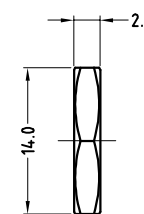


NUT OPTIONS

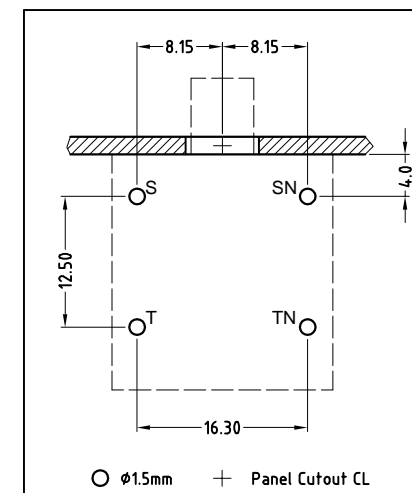
PLASTIC NUT



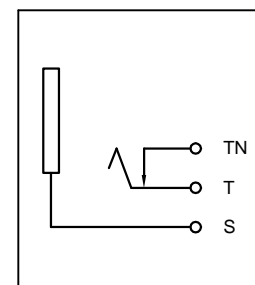
METAL NUT



PANEL CUTOUT



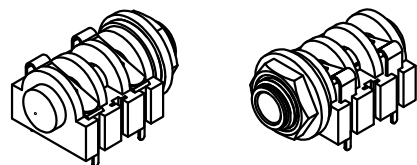
PCB LAYOUT



SCHEMATIC

ITEM	DESCRIPTION
1	METAL/PLASTIC NUT
2	FIBRE WASHER
3	METAL TUBE INSERT
4	CONNECTOR ASSEMBLY

PART No.	CATALOG No.	DESCRIPTION
55010097-000	ACJM-MH	METAL NUT
55010097-001	ACJM-PH	PLASTIC NUT



ISO VIEW

UNLESS OTHERWISE SPECIFIED TOLERANCE TO BE		THIS DOCUMENT IS THE PROPERTY OF AMPHENOL AUSTRALIA PTY. LTD. NO PART THEREOF MAY BE REPRODUCED AND USED WITHOUT THE PRIOR WRITTEN CONSENT OF THE OWNER			
LINEAR	ANGULAR	CAD FILE:	DRN:	L.V	DATE: 17-10-01
X ± 0.5	X° ± 1°	55010097000111	CKD:	M.N.H	DATE: 13-01-06
X.X ± 0.1	X°X' ± 30'	MATL: REFER TO COMPONENT	APP'D:	P.M	DATE: 13-01-06
X.XX ± 0.05	X°X'X" ± 15"	DO NOT SCALE	FINISH: REFER TO COMPONENT		
BREAK ALL SHARP EDGES AND REMOVE ALL BURRS		DIMENSIONS IN MILLIMETRES		THIRD ANGLE PROJECTION	SCALE: 2:1 UOS

1	CHANGE DRAWING NUMBER & PART VARIATION NUMBER	L.V	07-07-04	8293
0	FIRST ISSUE	L.V	17-10-01	----
REV.	CHANGE DETAILS	BY	DATE	CHG/No

1/4" MONO JACK PCB LUG
CUSTOMER DRAWING

Amphenol
 Amphenol Australia Pty Ltd, 2 Fineways Blvd, Keysborough, Vic 3173

DRAWING NO. **55010097-000-1** SHEET **1 OF 1**

Mouser Electronics

Authorized Distributor

Click to View Pricing, Inventory, Delivery & Lifecycle Information:

[Amphenol:](#)

[ACJM-MH](#) [ACJM-PH](#) [ACJS-PH](#) [ACJS-MH](#)