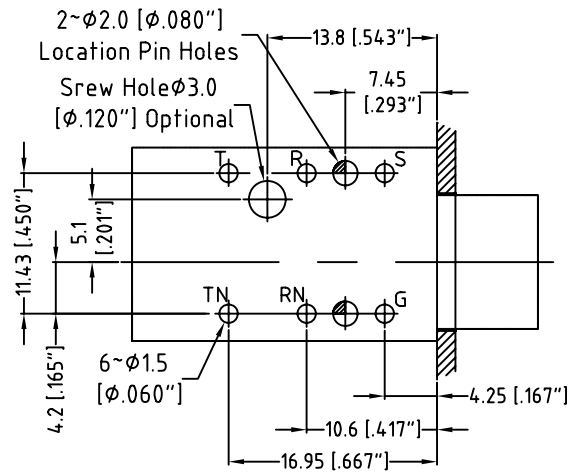
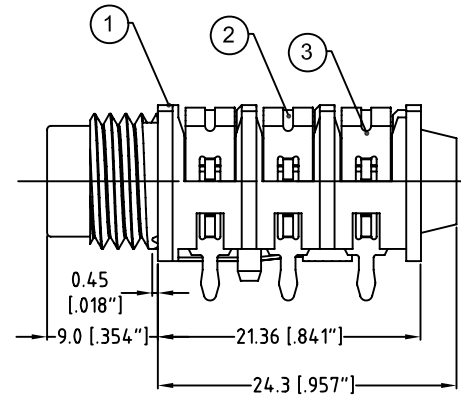
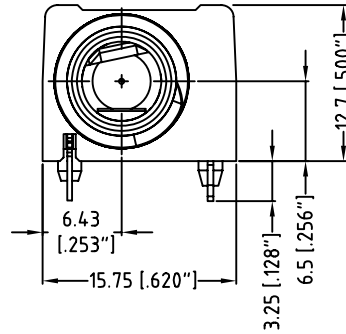
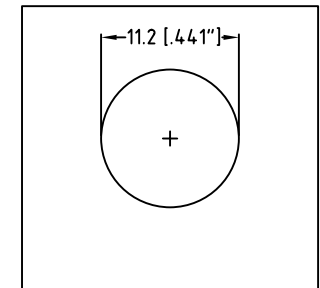
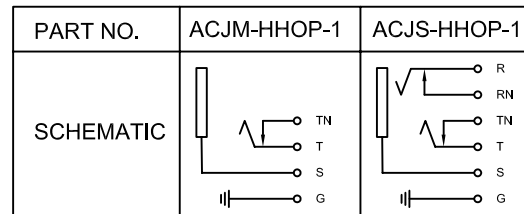


3D VIEW



PCB LAYOUT



PANEL CUTOUT

3	FLAT TERMINAL	3	H62Y t=0.4mm	Ag-PLATED,
2	SPRING TERMINAL	3	QSn6.5-0.1T t=0.4mm	RoHS COMPLIANT
1	HOUSING	1	PA66 G10	BLACK
NO.	PART NAME	Q'TY	MATERIAL (THICK)	REMARK

UNLESS OTHERWISE SPECIFIED TOLERANCE TO BE		THIS DOCUMENT IS THE PROPERTY OF AMPHENOL AUSTRALIA PTY. LTD.. NO PART THEREOF MAY BE REPRODUCED AND USED WITHOUT THE PRIOR WRITTEN CONSENT OF THE OWNER				0	FIRST ISSUE	M.N.H	10-11-09	----
LINEAR	ANGULAR	CAD FILE: 55010583000110		DRN: M.H	DATE: 10-11-09	REV.	CHANGE DETAILS	BY	DATE	CHG/No
X ± 0.5	X* ± 1°	MATERIAL: REFER TO COMPONENT		CKD: M.H	DATE: 10-11-09	TITLE: 1/4" PHONE OFFSET JACK CUSTOMER DRAWING		Amphenol		
X/X ± 0.1	X/X* ± 30°	FINISH: REFER TO COMPONENT		APP'D: M.H	DATE: 10-11-09	DRAWING NO.		Amphenol Australia Pty.Ltd, 2 Freeways Blvd, Keysborough, Vic.3173		
X/X ± 0.05	X/X* ± 15°	DO NOT SCALE		SCALE: 1:1	PART No: REFER TO SCHEMATIC	SIZE: A4	55010583-000-1	SHEET 1 OF 1		
DIMENSIONS IN MILLIMETRES		THIRD ANGLE PROJECTION								

Mouser Electronics

Authorized Distributor

Click to View Pricing, Inventory, Delivery & Lifecycle Information:

[Amphenol:](#)

[ACJM-HHOP-1](#) [ACJS-HHOP-1](#)