

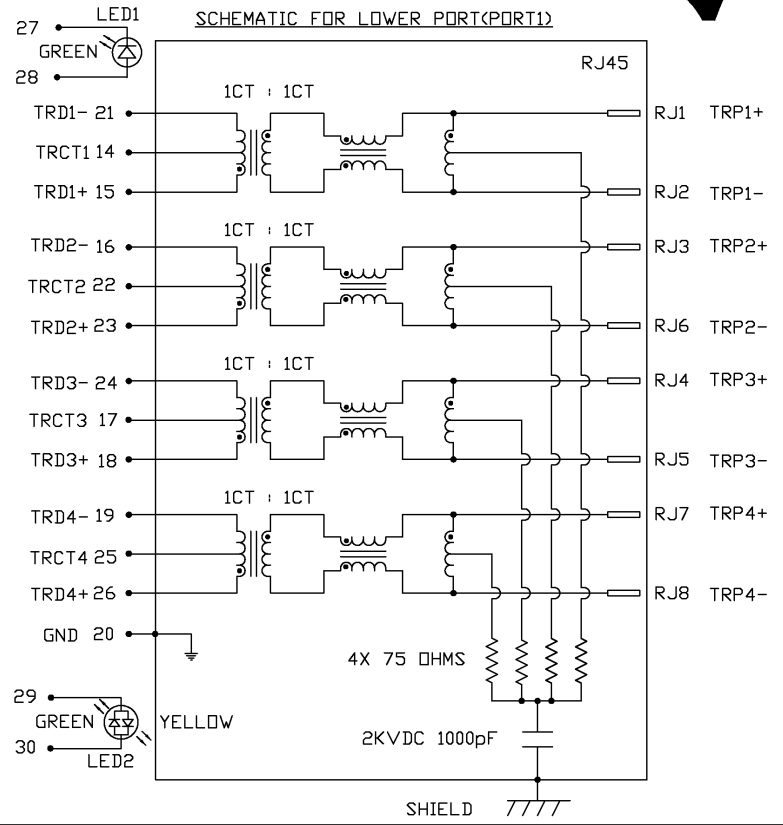
THE INFORMATION CONTAINED HEREIN IS CONSIDERED 'PROPRIETARY' TO BEL FUSE INC. AND SHALL NOT BE COPIED, REPRODUCED OR DISCLOSED WITHOUT THE WRITTEN APPROVAL OF BEL FUSE INC.

LED1 POLARITY			LED2 POLARITY		
PIN 27	PIN 28	COLOR	PIN 29	PIN 30	COLOR
-	+	GREEN	+	-	YELLOW
-	+	GREEN	-	+	GREEN



**ELECTRICAL CHARACTERISTICS @ 25°C**

<b>URNS RATIO</b>	
TP1	1CT : 1CT ±2%
TP2	1CT : 1CT ±2%
TP3	1CT : 1CT ±2%
TP4	1CT : 1CT ±2%
<b>CL @ 100kHz,100mVRMS</b>	
8mA DC BIAS	350 uH MIN.
<b>INS. LOSS</b>	
100kHz TO 100MHz	-1.1 dB MAX
<b>RET. LOSS (MIN)</b>	
1MHz-30MHz	-18 dB
30MHz-60MHz	-16 dB
60MHz-80MHz	-14 dB
80MHz-100MHz	-12 dB
<b>CM TO CM REJ</b>	
100kHz - 100MHz	-25 dB TYP
<b>CROSS TALK</b>	
1MHz - 60MHz	-35 dB TYP
60MHz - 100MHz	-25 dB TYP
<b>HIPOT (Isolation Voltage):</b>	1500 Vrms
<b>LEAKAGE INDUCTANCE</b>	
PRIMARY W/ SECONDARY SHORTED	0.3uH Max. @ 1MHz
<b>INTERWINDING CAPACITANCE</b>	
PER CHANNEL (PRI. TO SEC.)	50pF Max @ 1MHz
<b>DC RESISTANCE</b>	
(21-15)=(16-23)=(24-18)=(19-26)	1.2 ohms Max
(RJ1-RJ2)=(RJ3-RJ6)=(RJ4-RJ5)=(RJ7-RJ8)	1.2 ohms Max
<b>LED 1</b>	
VF (FORWARD VOLTAGE)	IF=20mA GREEN 2.2V TYP.
λD (DOMINANT WAVELENGTH)	IF=20mA GREEN 565nm TYP.
<b>LED 2</b>	
VF (FORWARD VOLTAGE)	IF=20mA GREEN 2.2V TYP.
λD (DOMINANT WAVELENGTH)	IF=20mA GREEN 565nm TYP.
	IF=20mA GREEN 565nm TYP.
	YELLOW 2.1V TYP.
	YELLOW 590nm TYP.



<b>ORIGINATED BY</b>	<b>DATE</b>	<b>TITLE</b>	<b>PART NO. / DRAWING NO.</b>	<b>STANDARD DIM. TOL. IN INCH</b>	<b>[ ] METRIC DIM. AS REFERENCE</b>
CHUNG	12-14-05	2X1 gigabit MagJack® (with LED)	0845-2R1T-E4	.X	UNIT : INCH [mm] REV. : D
<b>DRAWN BY</b>	<b>DATE</b>		<b>FILE NAME</b>	.XX	SCALE : N/A SIZE : A4
DE	12-14-05		08452R1TE4D.DWG	.XXX	PAGE : 2



This document is electronically generated. This is a controlled copy if used internally

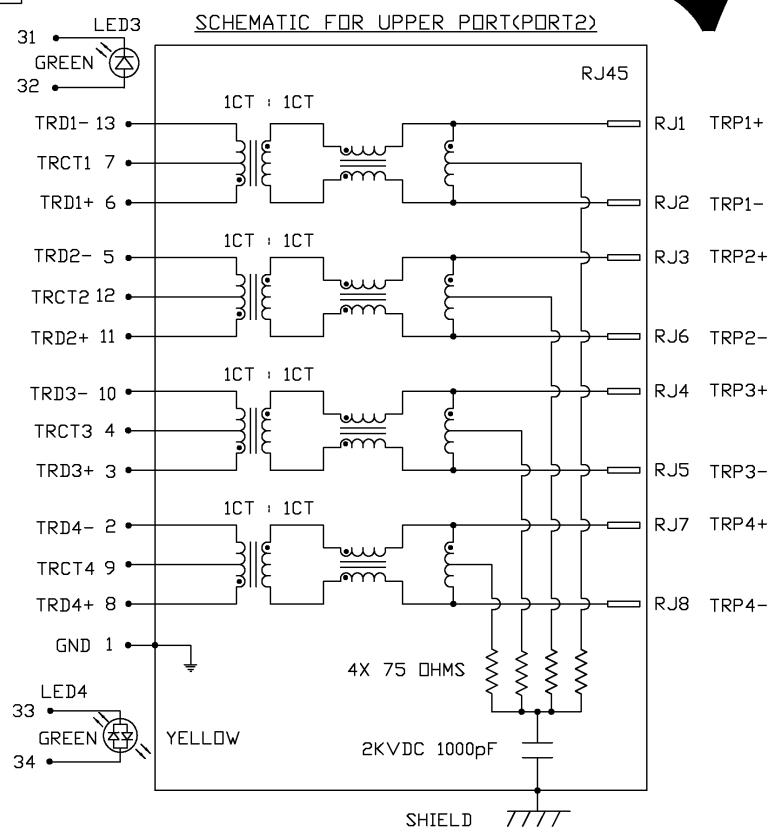
THE INFORMATION CONTAINED HEREIN IS CONSIDERED "PROPRIETARY" TO BEL FUSE INC. AND SHALL NOT BE COPIED, REPRODUCED OR DISCLOSED WITHOUT THE WRITTEN APPROVAL OF BEL FUSE INC.

LED3 POLARITY			LED4 POLARITY		
PIN 31	PIN 32	COLOR	PIN 33	PIN 34	COLOR
-	+	GREEN	+	-	YELLOW
-	+	GREEN	-	+	GREEN



**ELECTRICAL CHARACTERISTICS @ 25°C**

<b>URNS RATIO</b>	
TP1	1CT : 1CT ±2%
TP2	1CT : 1CT ±2%
TP3	1CT : 1CT ±2%
TP4	1CT : 1CT ±2%
<b>OCL @ 100kHz,100mVRMS</b>	
8mA DC BIAS	350 uH MIN.
<b>INS. LOSS</b>	
100kHz TO 100MHz	-1.1 dB MAX
<b>RET. LOSS (MIN)</b>	
1MHz-30MHz	-18 dB
30MHz-60MHz	-16 dB
60MHz-80MHz	-14 dB
80MHz-100MHz	-12 dB
<b>CM TO CM REJ</b>	
100kHz - 100MHz	-25 dB TYP
<b>CROSS TALK</b>	
1MHz - 60MHz	-35 dB TYP
60MHz - 100MHz	-25 dB TYP
<b>HIPOT (Isolation Voltage):</b>	1500 Vrms
<b>LEAKAGE INDUCTANCE</b>	
PRIMARY W/ SECONDARY SHORTED	0.3uH Max. @ 1MHz
<b>INTERWINDING CAPACITANCE</b>	
PER CHANNEL (PRI. TO SEC.)	50pF Max @ 1MHz
<b>DC RESISTANCE</b>	
(13-6)=(5-11)=(10-3)=(2-8)	1.2 ohms Max
(RJ1-RJ2)=(RJ3-RJ6)=(RJ4-RJ5)=(RJ7-RJ8)	1.2 ohms Max
<b>LED 3 (Super bright)</b>	
VF (FORWARD VOLTAGE)	IF=20mA GREEN 2.2V TYP.
λD (DOMINANT WAVELENGTH)	IF=20mA GREEN 565nm TYP.
<b>LED 4 (Super bright)</b>	
VF (FORWARD VOLTAGE)	IF=20mA GREEN 2.2V TYP.
λD (DOMINANT WAVELENGTH)	IF=20mA GREEN 565nm TYP.
	IF=20mA YELLOW 2.1V TYP.
	IF=20mA YELLOW 590nm TYP.

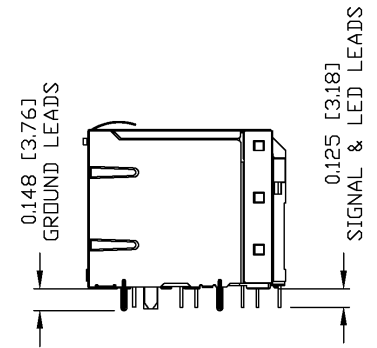
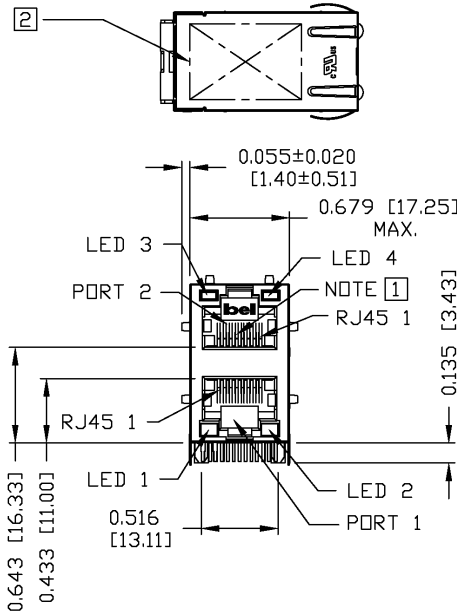
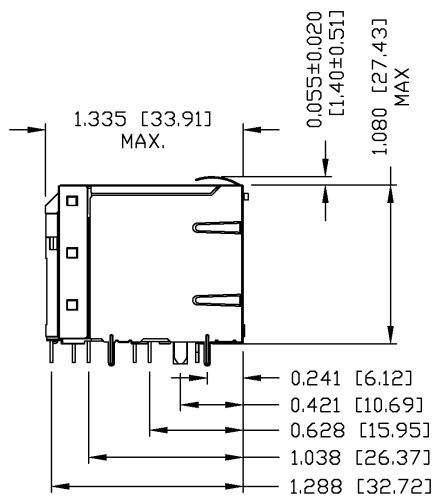


<b>ORIGINATED BY</b>	<b>DATE</b>	<b>TITLE</b>	<b>PART NO. / DRAWING NO.</b>	<b>STANDARD DIM. TOL. IN INCH</b>	<b>[ ] METRIC DIM. AS REFERENCE</b>
CHUNG	12-14-05	2X1 gigabit MagJack® (with LED)	0845-2R1T-E4	.X	UNIT : INCH [mm] REV. : D
<b>DRAWN BY</b>	<b>DATE</b>		<b>FILE NAME</b>	.XX	SCALE : N/A SIZE : A4
DE	12-14-05		08452R1TE4D.DWG	.XXX	PAGE : 3



This document is electronically generated. This is a controlled copy if used internally

THE INFORMATION CONTAINED HEREIN IS CONSIDERED "PROPRIETARY" TO BEL FUSE INC. AND SHALL NOT BE COPIED, REPRODUCED OR DISCLOSED WITHOUT THE WRITTEN APPROVAL OF BEL FUSE INC.



**NOTES:**

PLASTIC HOUSING: THERMOPLASTIC PBT  
 FLAMMABILITY RATING UL 94V-0  
 CONTACT PLATING: 50 MICRO-INCH HARD GOLD PLATING  
 OUTPUT PINS: TIN-COATED COPPER WIRE, DIA 0.018 INCH.  
 METAL SHIELD: NICKEL PLATED ON COPPER ALLOY.  
 (ALL GROUND LEADS ARE SOLDER DIPPED)

RoHS COMPLIANCE, PER EU DIRECTIVE 2002/95/EC.

- 1. JACK CAVITY CONFORMS TO FCC RULES AND REGULATIONS, PART 68 SUBPART F.
- 2. MARK PART WITH MFG LOGO, MFG NAME, PART NUMBER, AND DATE CODE.

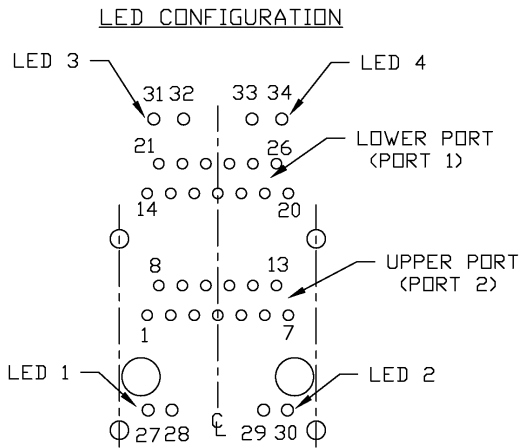
UL US UL RECOGNIZED - FILE #E196366 AND E169987.

ORIGINATED BY	DATE	TITLE	PART NO. / DRAWING NO.	STANDARD DIM. TOL. IN INCH	[ ] METRIC DIM. AS REFERENCE
BILL\KEUNG	12-14-05	2X1 gigabit MagJack® (with LED)	0845-2R1T-E4	.X	UNIT : INCH [mm] REV. : D
DRAWN BY	DATE		FILE NAME	.XX	SCALE : N/A SIZE : A4
QIN	12-14-05		08452R1TE4D.DWG	.XXX ±0.010	PAGE : 4

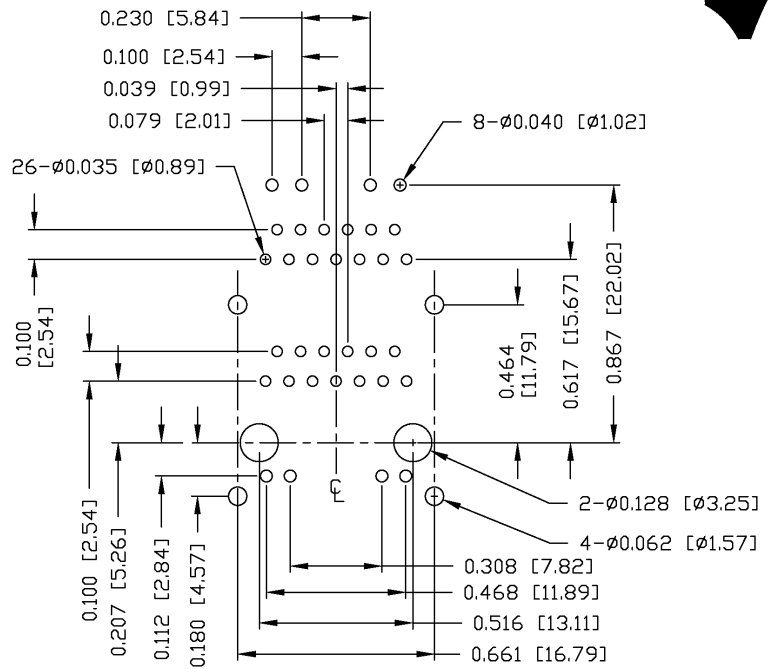


This document is electronically generated. This is a controlled copy if used internally

THE INFORMATION CONTAINED HEREIN IS CONSIDERED "PROPRIETARY" TO BEL FUSE INC. AND SHALL NOT BE COPIED, REPRODUCED OR DISCLOSED WITHOUT THE WRITTEN APPROVAL OF BEL FUSE INC.



**PIN-OUT INFORMATION**  
(COMPONENT SIDE VIEW)  
(SCALE 2:1)



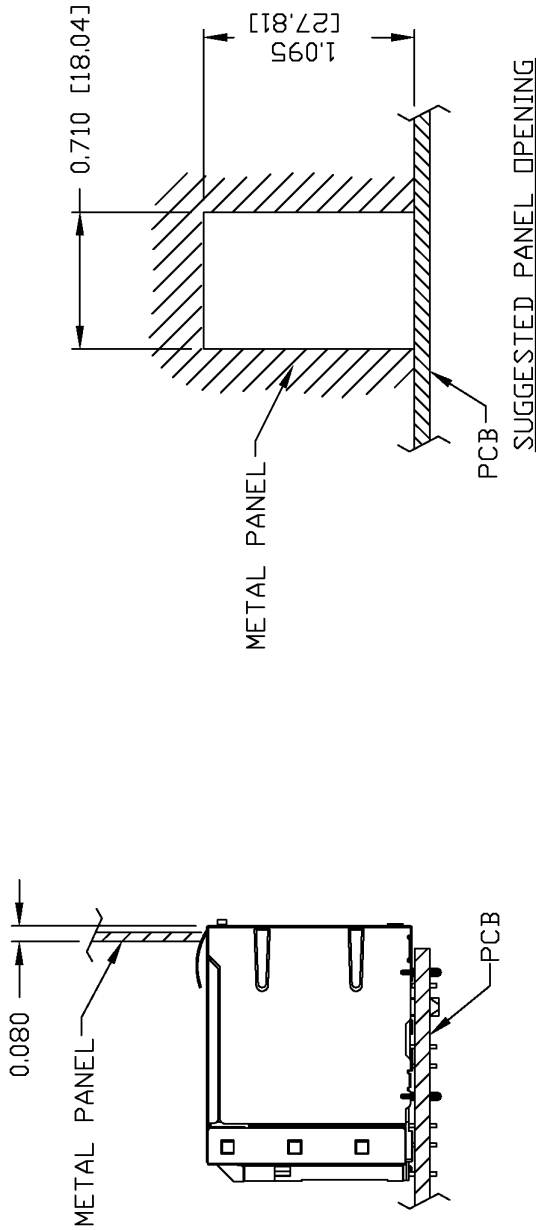
**SUGGESTED FOOTPRINT**  
(COMPONENT SIDE VIEW)  
(SCALE 2:1)

<b>ORIGINATED BY</b> BILL\KEUNG	<b>DATE</b> 12-14-05	<b>TITLE</b> 2X1 gigabit MagJack® (with LED)	<b>PART NO. / DRAWING NO.</b> 0845-2R1T-E4	<b>STANDARD DIM. TOL. IN INCH</b>	<input type="checkbox"/> METRIC DIM. AS REFERENCE
<b>DRAWN BY</b> QIN	<b>DATE</b> 12-14-05		<b>FILE NAME</b> 08452R1TE4D.DWG	.X .XX .XXX ±0.004	<input type="checkbox"/> UNIT : INCH [mm] SCALE : N/A REV. : D
					SIZE : A4 PAGE : 5



This document is electronically generated. This is a controlled copy if used internally

THE INFORMATION CONTAINED HEREIN IS CONSIDERED "PROPRIETARY" TO BEL FUSE INC. AND SHALL NOT BE COPIED, REPRODUCED OR DISCLOSED WITHOUT THE WRITTEN APPROVAL OF BEL FUSE INC.



**NOTE:**  
THE DISTANCE OF PANEL INSIDE SURFACE RELATIVE TO FRONT SURFACE OF PART IS ONLY A SUGGESTION. IN CASE THIS DISTANCE IS DIFFERENT, THE REQUIRED PANEL OPENING DIMENSIONS CHANGE ACCORDINGLY.  
PACKING INFORMATION

PACKING TRAY: 0200-9999-H5 (TOP)  
0200-9999-H6 (BOTTOM)

PACKING QUANTITY: 40 PCS FINISHED GOODS PER TRAY  
6 TRAYS (240 PCS FINISHED GOODS) PER CARTON BOX.

NOTE: CARDBOARD ARE PLACED BETWEEN LAYERS OF PACKING TRAY INSIDE CARTON BOX.  
(INCLUDE THE UPPERMOST AND LOWEREST TRAY)

<b>ORIGINATED BY</b> BILL \ KEUNG	<b>DATE</b> 12-14-05	<b>TITLE</b> 2X1 gigabit MagJack® (with LED)	<b>PART NO. / DRAWING NO.</b> 0845-2R1T-E4	<b>STANDARD DIM.</b> TOL. IN INCH .X .XX .XXX	<b>[ ] METRIC DIM. AS REFERENCE</b> UNIT : INCH [mm] SCALE : N/A	<b>REV. :</b> D <b>SIZE :</b> A4 <b>PAGE :</b> 6
<b>DRAWN BY</b> QJN	<b>DATE</b> 12-14-05	<b>FILE NAME</b> 08452R1TE4D.DWG				

This document is electronically generated. This is a controlled copy if used internally