



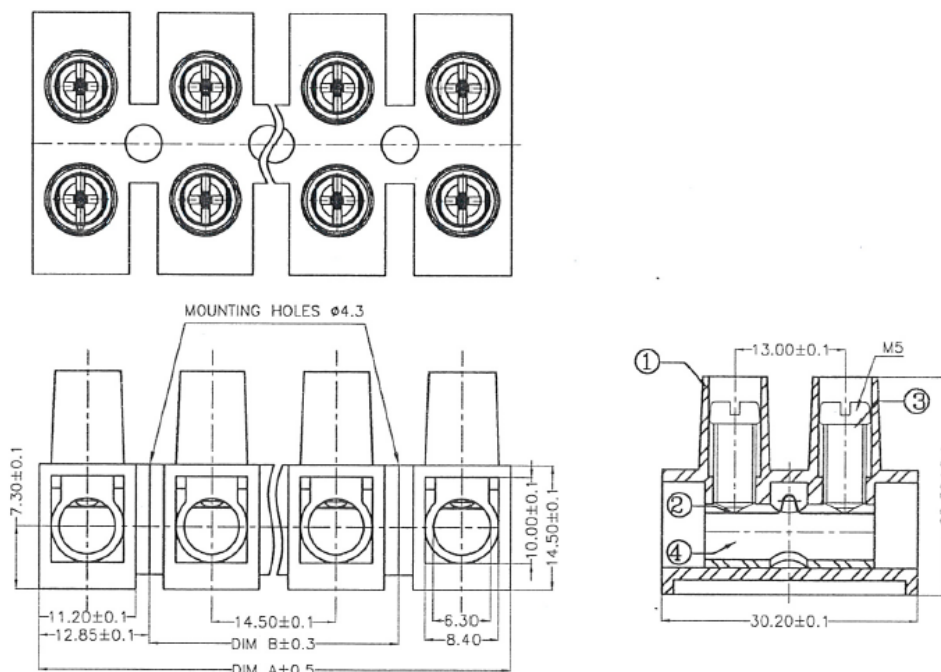
Specification

| | | | |
|---|---|---------------|--------|
| † | k | 3 | † |
| # | k | 65° | |
| ‡ | k | 14 ... 6" ‡ 8 | |
| o | 0 | 7' 9' | |
| # | † | 105' # max. | |
| \ | u | U | 4' # |
| \ | u | U | 10' # |
| @ | ‡ | † | ' †' # |
| @ | k | 8\ | ' †) # |

Material Specification

| | |
|-----------------|--------------------|
| Insulating Body | Polyamide, UL94-V2 |
| Wire Protector | Steel, Tin Plated |
| Screw Material | Steel, Zinc Plated |
| Terminal Block | Brass, Tin Plated |

Drawing



| Article Nr. | Number of Poles | B |
|---------------|-----------------|----------|
| RND 205-01064 | 12 | 170.7 mm |
| | | 145 mm |