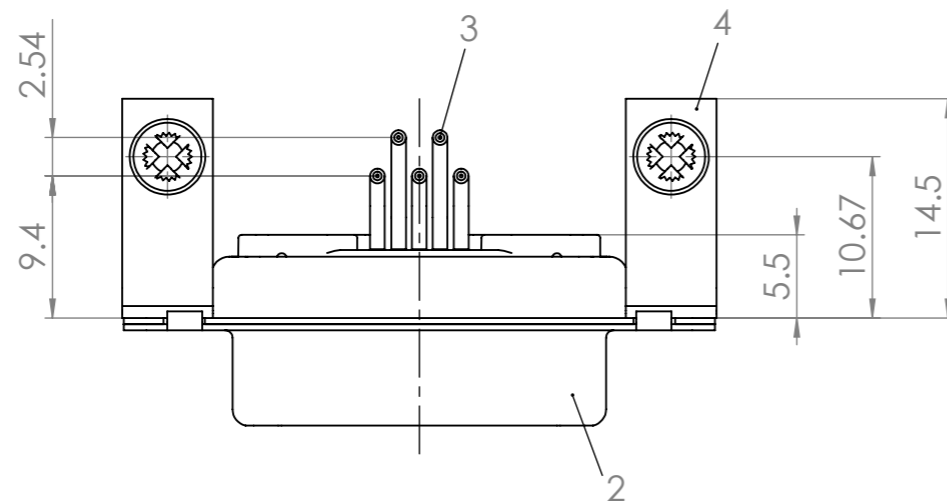
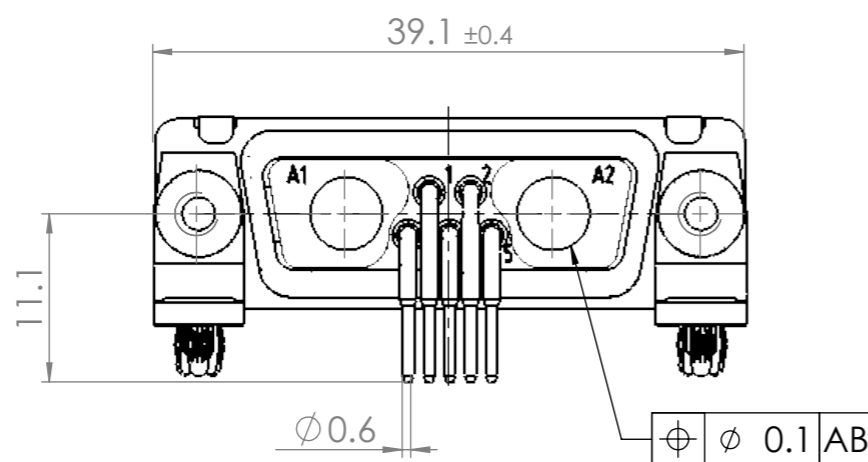
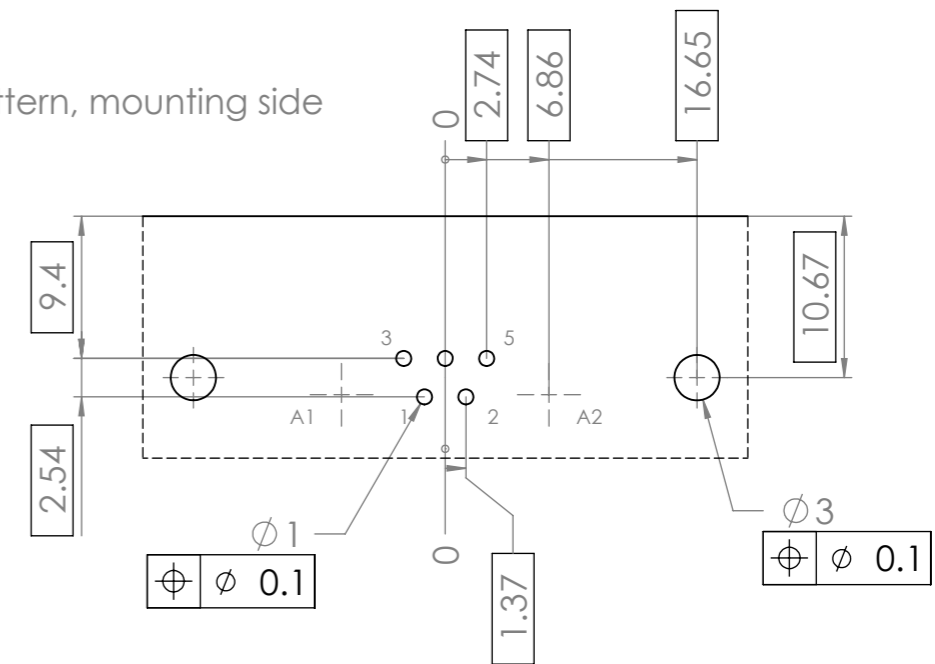


RoHS compliant
by exemption



PCB hole pattern, mounting side



No.	St.	Part	Type Description/Material	Surface plating/Colour/Class
6	2	Snap-in rivet	PCB 1.6mm / Brass	tin plated
5	2	Clinch nut	MW 4-40 / Steel	tin plated
4	2	Bracket	F1080-13B / Steel	tin plated
3	5	Signal contact	S5 / Brass	0.8µm Au
2	1	Shell	Steel	tin plated
1	1	Insulator	PBT (-55°C - +130°C)	green

SYMBOLS					THIS DRAWING CONTAINS INFORMATION THAT IS PROPRIETARY TO MOLEX ELECTRONIC TECHNOLOGIES, LLC AND SHOULD NOT BE USED WITHOUT WRITTEN PERMISSION							
▽ = 0	▽ = 0	▽ = 0	▽ = 0	▽ = 0	DIMENSION UNITS	SCALE	MEASUREMENTS WITHOUT TOLERANCE ACC. TO	molex				
▽ = 0	▽ = 0	▽ = 0	▽ = 0	mm	2:1	ISO 2768-m	CURRENT REVISION					
▽ = 0	▽ = 0	▽ = 0	▽ = 0	▽ = 0				DRWN: DRAWN BY	tschneider01	28-01-2020	FCT D-Sub Mixed-Layout Connector	
▽ = 0	▽ = 0	▽ = 0	▽ = 0	▽ = 0				APPR: APPR BY	FVetter	06-02-2020	PRODUCT CUSTOMER DRAWING	
▽ = 0	▽ = 0	▽ = 0	▽ = 0	▽ = 0	2	24130		INITIAL REVISION			MATERIAL NUMBER	REVISION
▽ = 0	▽ = 0	▽ = 0	▽ = 0	▽ = 0	1			DRWN: DRAWN BY	sschref	26-09-2005	1731070096	2
▽ = 0	▽ = 0	▽ = 0	▽ = 0	▽ = 0	REV.	CH.-NO.		APPR: APPR BY	ADenzinger	27-09-2005	DOCUMENT NUMBER	SHEET NUMBER
▽ = 0	▽ = 0	▽ = 0	▽ = 0	▽ = 0				REPLACEMENT FOR:	THIRD ANGLE PROJECTION	DRAWING	FM7W2S5-1002	1 OF 1
▽ = 0	▽ = 0	▽ = 0	▽ = 0	▽ = 0					A3-SIZE		CUSTOMER	
▽ = 0	▽ = 0	▽ = 0	▽ = 0	▽ = 0							GENERAL MARKET	

COMMENT: ALL RIGHTS ARE RESERVED BY US FOR THIS DRAWING. WITHOUT OUR PRIOR CONSENT, IT MAY NEITHER BE DUPLICATED NOR MADE AVAILABLE TO A THIRD PARTY. AND IT ALSO MAY NOT BE IMPROPERLY USED BY THE RECEIVER, OR A THIRD PARTY.