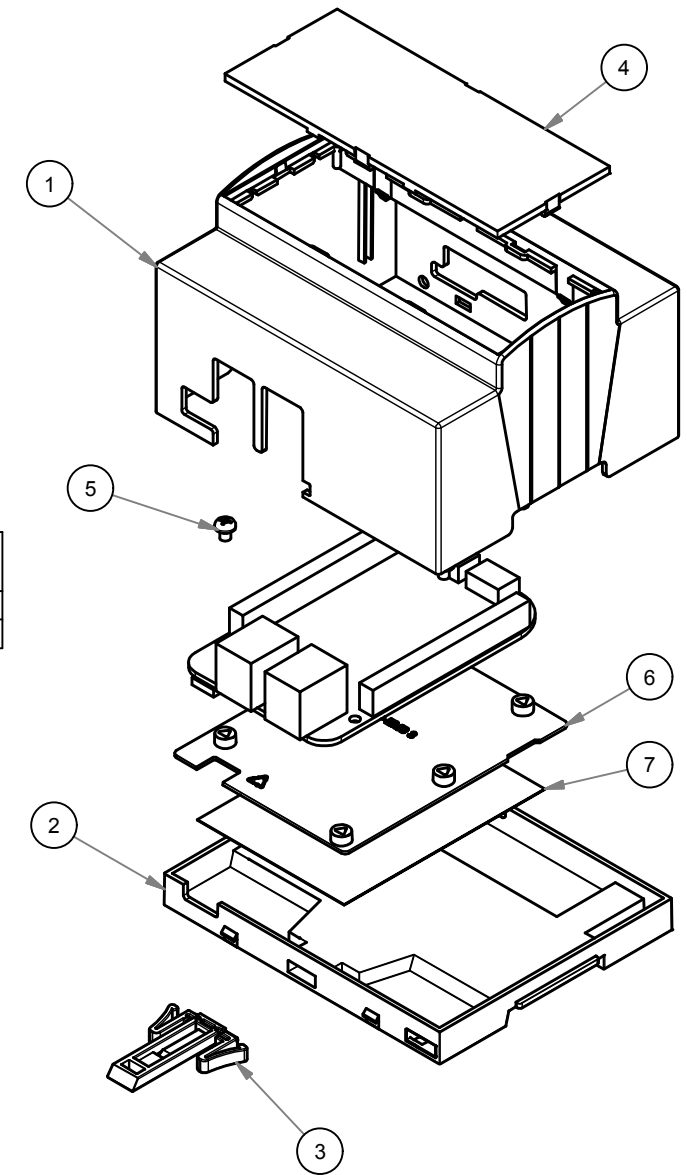
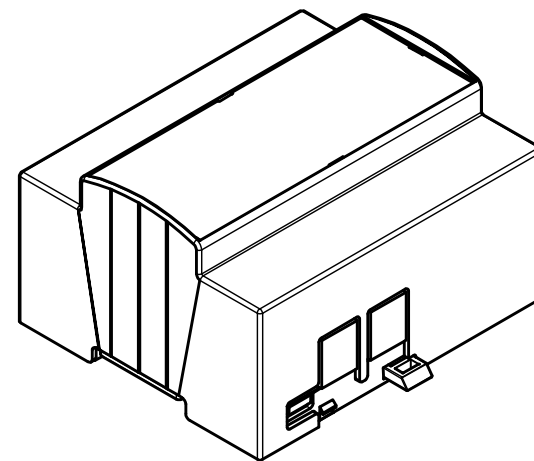
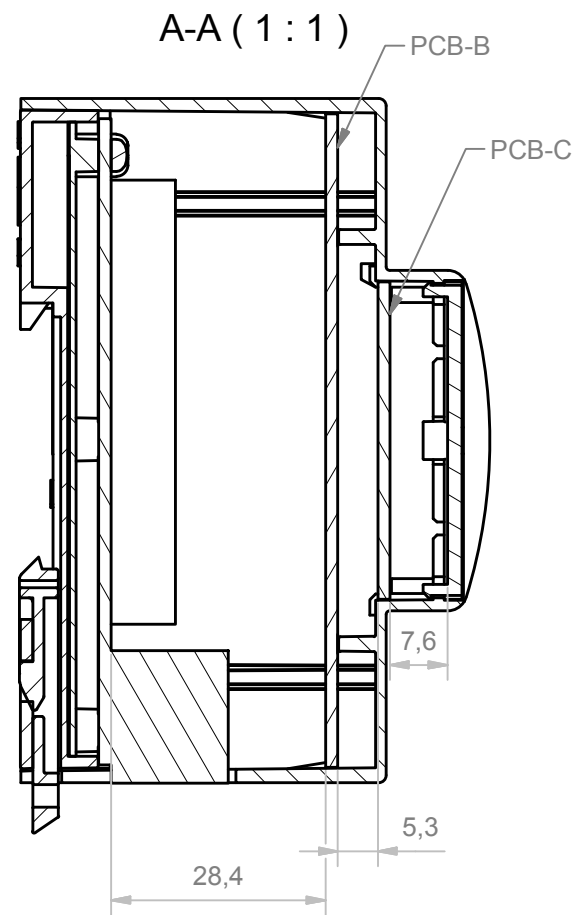


PCB TYPE	PCB DIMENSION	TOLERANCE
B	102,5 x 58,7	+/- 0.1 mm
C	102,1 x 42,0	+/- 0.1 mm



RIF.	Q.TY	DESCRIPTION	DRAWING
1	1	BODY ENCLOSURE 6M XTS BEAGLEBONE GREEN WIRELESS	2.050.00017
2	1	BASE 6M XT BEAGLEBONE FOR ACCESSORY EMBEDDED	2.050.00013
3	1	MODULAR HOOK LONG	1.001.01900
4	1	PANEL 6M WITHOUT FRAME	1.001.00155
5	3	SCREW 2.9 X 4.5 TC	8.100.00013
6	1	ACCESSORY FOR BASE EMBEDDED EMB3	2.050.00003
7	1	ADHESIVE FOR ACCESSORY BASE EMBEDDED	2.050.00005

General Tolerance UNI EN 22768/1 Media (m)				
from 0.5 to 3	from 3 to 6	from 6 to 30	from 30 to 120	from 120 to 400
± 0.1	± 0.1	± 0.2	± 0.3	± 0.5
Scale: 1 : 1	Sheet nr.: 1 / 1	Drawn: N.R.	Checked: F.F.	Date: 21/03/2018
Dimension in mm		Material:	Weight:	Cod. Mold:
 enclosures for electronics A group of connecting technologies		Description: CONTENITORE COMPLETO 6M XTS BEAGLEBONE GREEN WIRELESS COMPLETE ENCLOSURE 6M XTS BEAGLEBONE GREEN WIRELESS		Rev. 00
Drawing nr. 3.050.00011				

RESERVED PROPERTY: The present drawing cannot be reproduced or communicated to 3rd parties, even partially, without the authorization of ITALTRONIC Srl. Italtronic reserves to protect its own rights according to the law.