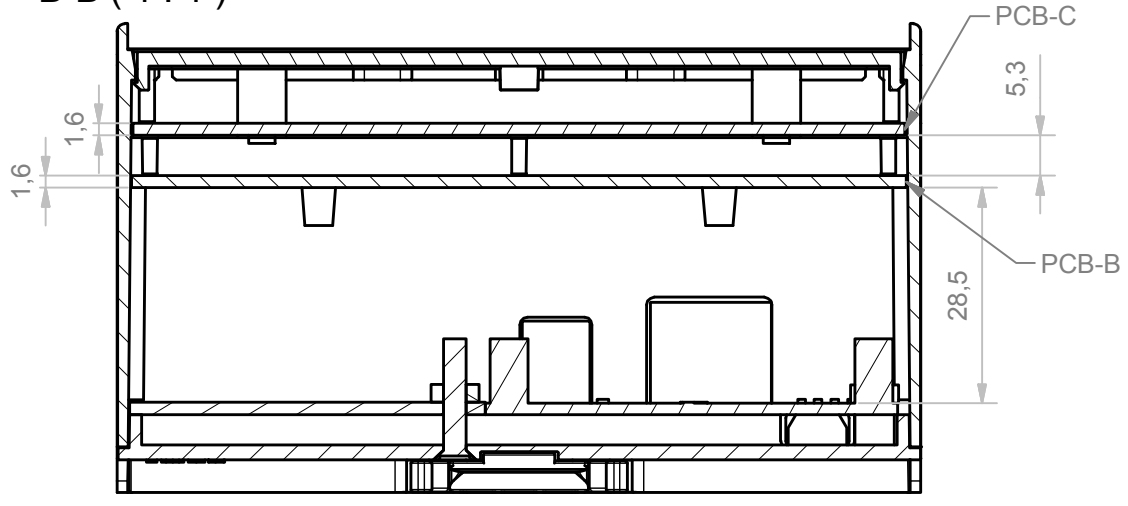
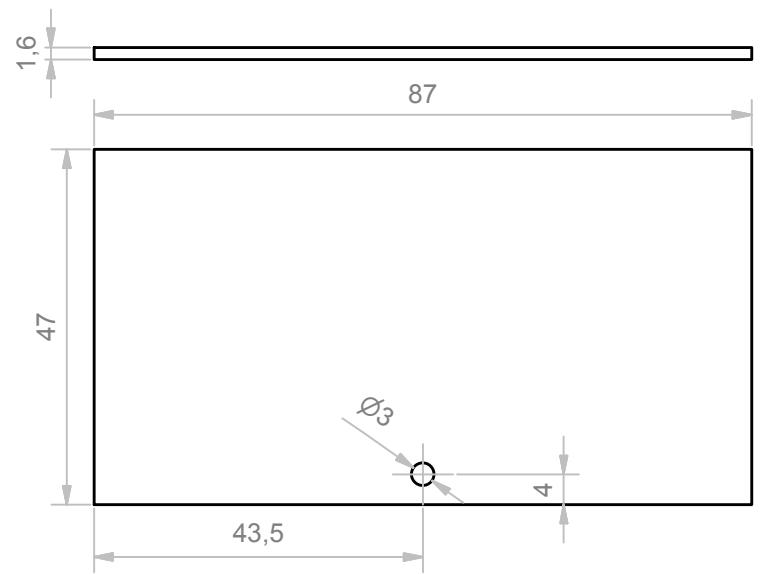


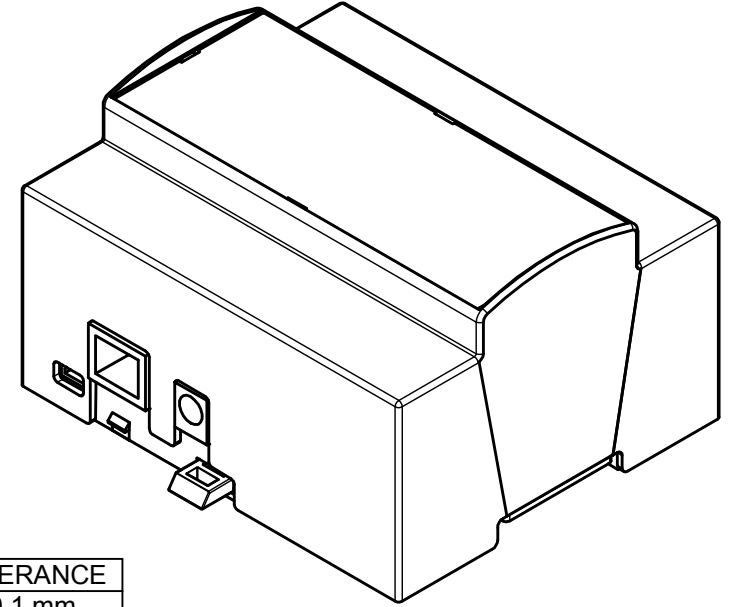
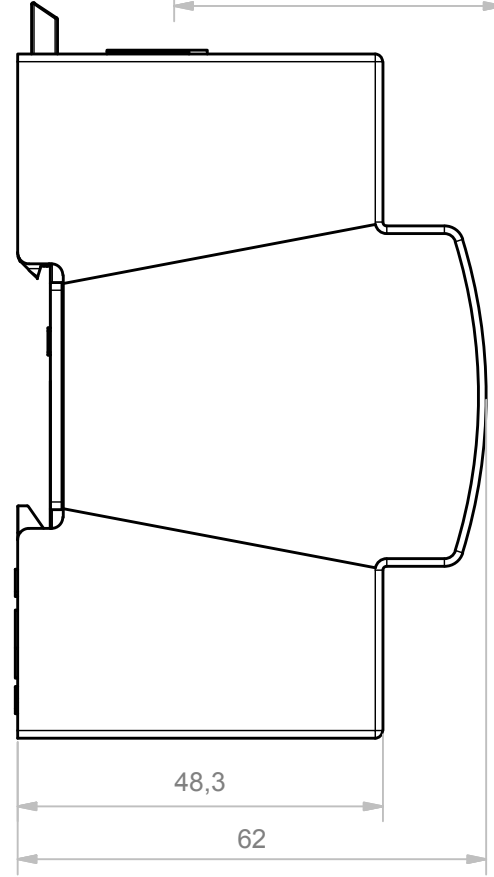
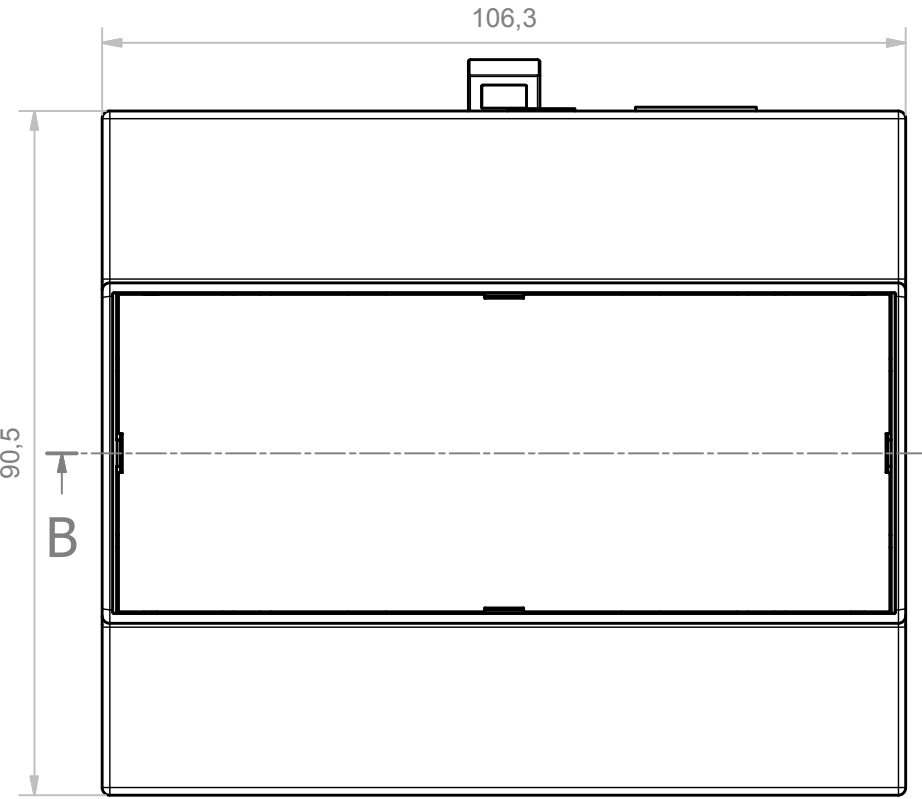
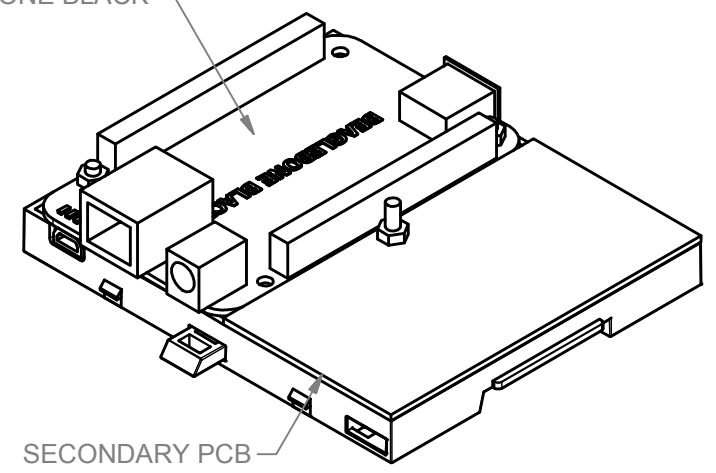
B-B (1:1)



SECONDARY PCB



PCB BEAGLEBONE BLACK



PCB TYPE	PCB DIMENS	TOLERANCE
B	102,5 x 58,7	±0,1 mm
C	102,1 x 42,0	±0,1 mm

Da 0,5 a 3	Oltre 3 fino a 6	Oltre 6 fino a 30	Oltre 30 fino a 120	Oltre 120
± 0,1	± 0,1	± 0,2	± 0,3	± 0,5

RESERVED PROPERTY The present drawing cannot be reproduced or communicated to 3d parties, even partially, without the authorization of ITALTRONIC Srl. Italtronic reserves to protect its own rights according to the law.	Dimension in mm	SHEET NR.	DRAWING BY	GENERAL TOLERANCE UNI EN 22768/1 Media (m)	5 4 3 2 1
		1 / 1			
Drawed: Rigato N.	Checked: Dalla Montà D.	Denomination: Kit 6M XTS Beaglebone		Revision description	

italtronic
enclosures for electronics

Hitalltech
A group of connecting technologies

Drawing nr.
M-05632-00