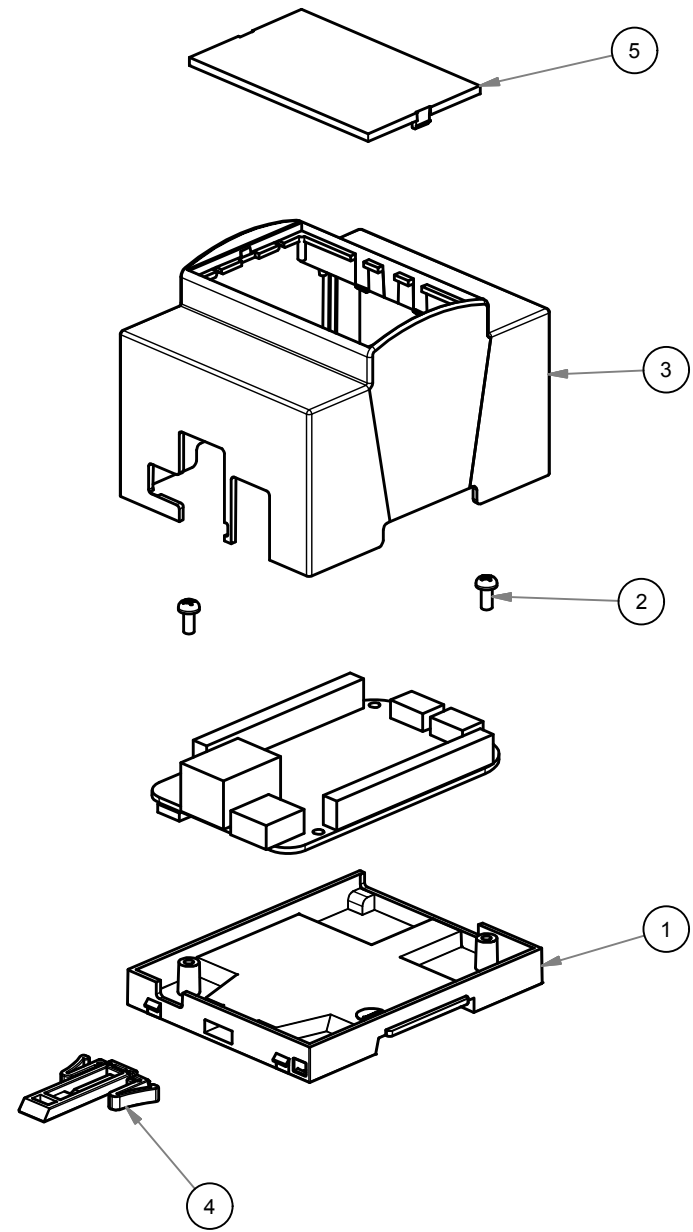
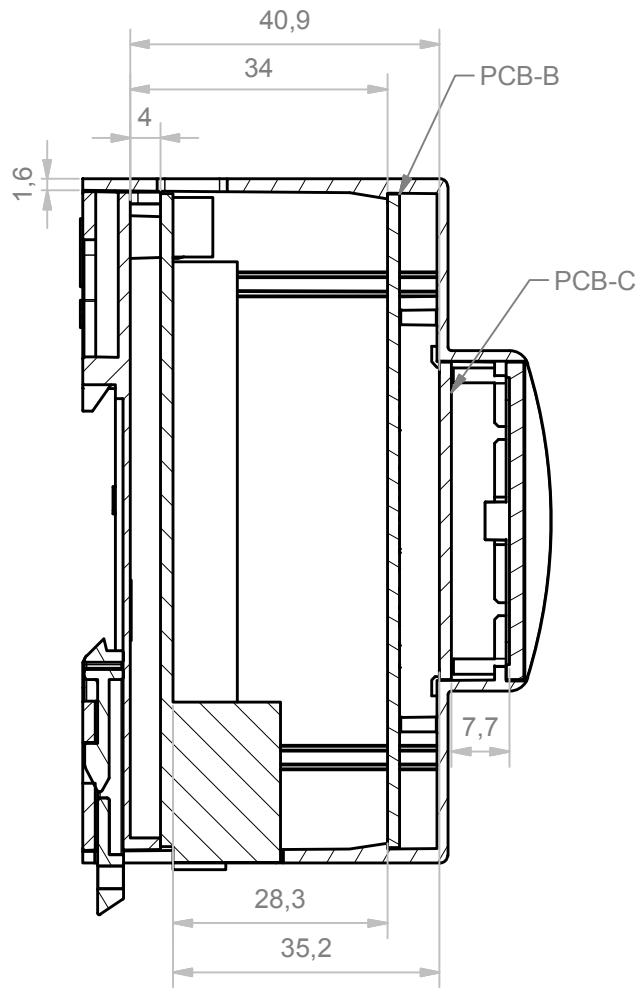


PCB TYPE	PCB DIMENSION	TOLERANCE
B	67.6X86.4X1.6	+/- 0.1
C	67.4X42.0X1.6	+/- 0.1

A-A (1:1)



RIF.	Q.TY	DESCRIPTION	DRAWING
1	1	BASE 4M XT BEAGLEBONE	2.050.00021
2	2	SCREW 2.9 X 6.5 TRUNC	8.100.00003
3	1	BODY ENCLOSURE 4M XTS BEAGLEBONE GREEN	2.050.00010
4	1	MODULAR HOOK LONG	1.001.01900
5	1	PANEL 4M WITHOUT FRAME	1.001.00346

General Tolerance UNI EN 22768/1 Media (m)				
from 0.5 to 3	from 3 to 6	from 6 to 30	from 30 to 120	from 120 to 400
± 0.1	± 0.1	± 0.2	± 0.3	± 0.5
Scale: 1:1	Sheet nr.: 1/1	Drawed: N.R.	Checked: F.F.	Date: 21/03/2018
Dimension in mm		Material:	Weight:	Volume:
		Description: CONTENITORE COMPLETO 4M XTS BEAGLEBONE GREEN COMPLETE ENCLOSURE 4M XTS BEAGLEBONE GREEN		Rev. 00
 				Drawing nr. 3.050.00005

