

### FEATURES

- <1 pC charge injection over full signal range
- 1 pF off capacitance
- 33 V supply range
- 120  $\Omega$  on resistance
- Fully specified at  $\pm 15$  V/+12 V
- 3 V logic compatible inputs
- Rail-to-rail operation
- Break-before-make switching action
- Available in a 16-lead TSSOP, a 16-lead LFCSP, and a 16-lead SOIC
- Typical power consumption < 0.03  $\mu$ W

### APPLICATIONS

- Audio and video routing
- Automatic test equipment
- Data-acquisition systems
- Battery-powered systems
- Sample-and-hold systems
- Communication systems

### GENERAL DESCRIPTION

The **ADG1208** and **ADG1209** are monolithic, *i*CMOS<sup>®</sup> analog multiplexers comprising eight single channels and four differential channels, respectively. The **ADG1208** switches one of eight inputs to a common output as determined by the 3-bit binary address lines A0, A1, and A2. The **ADG1209** switches one of four differential inputs to a common differential output as determined by the 2-bit binary address lines A0 and A1. An EN input on both devices enable or disable the device. When disabled, all channels are switched off. When on, each channel conducts equally well in both directions and has an input signal range that extends to the supplies.

The industrial CMOS (*i*CMOS) modular manufacturing process combines high voltage complementary metal-oxide semiconductor (CMOS) and bipolar technologies. It enables the development of a wide range of high performance analog ICs capable of 33 V operation in a footprint that no other generation of high voltage devices has been able to achieve. Unlike analog ICs using conventional CMOS processes, *i*CMOS components can tolerate high supply voltages while providing increased performance, dramatically lower power consumption, and reduced package size.

### FUNCTIONAL BLOCK DIAGRAMS

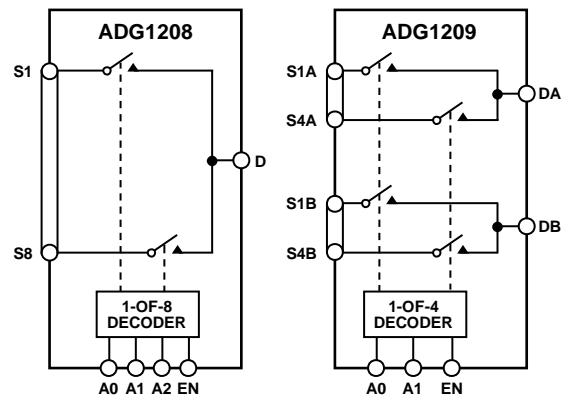


Figure 1.

The ultralow capacitance and exceptionally low charge injection of these multiplexers make them ideal solutions for data acquisition and sample-and-hold applications, where low glitch and fast settling are required. Figure 2 shows that there is minimum charge injection over the entire signal range of the device. *i*CMOS construction also ensures ultralow power dissipation, making the devices ideally suited for portable and battery-powered instruments.



Figure 2. Source to Drain Charge Injection vs. Source Voltage

## TABLE OF CONTENTS

|                                |   |  |    |
|--------------------------------|---|--|----|
| Features .....                 | 1 | ESD Caution.....                                   | 7  |
| Applications.....              | 1 | Pin Configurations and Function Descriptions ..... | 8  |
| Functional Block Diagrams..... | 1 | Typical Performance Characteristics .....          | 12 |
| General Description .....      | 1 | Terminology .....                                  | 16 |
| Revision History .....         | 2 | Test Circuits.....                                 | 17 |
| Specifications.....            | 3 | Outline Dimensions .....                           | 20 |
| Dual Supply .....              | 3 | Ordering Guide .....                               | 21 |
| Single Supply .....            | 5 |  |    |
| Absolute Maximum Ratings.....  | 7 |  |    |

## REVISION HISTORY

### 6/2016—Rev. D to Rev. E

|   |    |
|---|----|
| Changes to Analog Inputs Parameter, Table 3 ..... | 7  |
| Added Digital Inputs Parameter, Table 3 .....     | 7  |
| Moved Figure 7 .....                              | 10 |
| Change to Table 7 .....                           | 10 |
| Deleted Table 8; Renumbered Sequentially .....    | 11 |
| Updated Outline Dimensions .....                  | 20 |
| Changes to Ordering Guide .....                   | 21 |

### 3/2016—Rev. C to Rev. D

|  |    |
|--|----|
| Changes to Table 4 Title.....                | 8  |
| Changes to Table 5 Title.....                | 9  |
| Changes to Table 7 Title.....                | 10 |
| Changes to Figure 7.....                     | 11 |
| Added Table 8; Renumbered Sequentially ..... | 11 |
| Changes to Table 9 Title.....                | 12 |

### 8/2015—Rev. B to Rev. C

|   |    |
|---|----|
| Changes to Features Section.....              | 1  |
| Added Figure 4; Renumbered Sequentially ..... | 8  |
| Changes to Table 4.....                       | 8  |
| Changes to Figure 5.....                      | 9  |
| Added Table 5; Renumbered Sequentially .....  | 9  |
| Added Figure 7 .....                          | 10 |
| Changes to Table 7.....                       | 10 |
| Changes to Figure 8.....                      | 11 |
| Added Table 8.....                            | 11 |
| Updated Outline Dimensions .....              | 19 |
| Changes to Ordering Guide .....               | 20 |

### 1/2009—Rev. A to Rev. B

|  |   |
|--|---|
| Change to I <sub>DD</sub> Parameter, Table 1 ..... | 4 |
| Change to I <sub>DD</sub> Parameter, Table 2 ..... | 6 |

### 4/2007—Rev. 0 to Rev. A

|   |           |
|---|-----------|
| Added 16-lead SOIC .....                | Universal |
| Changes to Table 1.....                 | 3         |
| Changes to Table 2.....                 | 5         |
| Changes to Figure 10 and Figure 11..... | 10        |
| Updated Outline Dimensions .....        | 17        |
| Changes to Ordering Guide .....         | 18        |

### 4/2006—Revision 0: Initial Version

## SPECIFICATIONS

## DUAL SUPPLY

$V_{DD} = +15\text{ V} \pm 10\%$ ,  $V_{SS} = -15\text{ V} \pm 10\%$ ,  $GND = 0\text{ V}$ , unless otherwise noted. Temperature range is as follows: Y version:  $-40^{\circ}\text{C}$  to  $+125^{\circ}\text{C}$ .

Table 1.

| Parameter   | +25°C       | -40°C to +85°C | -40°C to +125°C      | Unit              | Test Conditions/Comments   |
|---|-------------|----------------|----------------------|-------------------|--|
| <b>ANALOG SWITCH</b>                                  |             |                |                      |                   |  |
| Analog Signal Range                                   |             |                | $V_{SS}$ to $V_{DD}$ | V                 |  |
| On Resistance, $R_{ON}$                               | 120         |                |                      | $\Omega$ typ      | $V_S = \pm 10\text{ V}$ , $I_S = -1\text{ mA}$ , see Figure 31                                       |
|   | 200         | 240            | 270                  | $\Omega$ max      | $V_{DD} = +13.5\text{ V}$ , $V_{SS} = -13.5\text{ V}$  |
| On-Resistance Match Between Channels, $\Delta R_{ON}$ | 3.5         |                |                      | $\Omega$ typ      | $V_S = \pm 10\text{ V}$ , $I_S = -1\text{ mA}$   |
|   | 6           | 10             | 12                   | $\Omega$ max      |  |
| On-Resistance Flatness, $R_{FLAT}$ (On)               | 20          |                |                      | $\Omega$ typ      | $V_S = -5\text{ V}/0\text{ V}/+5\text{ V}$ , $I_S = -1\text{ mA}$                                    |
|   | 64          | 76             | 83                   | $\Omega$ max      |  |
| <b>LEAKAGE CURRENTS</b>                               |             |                |                      |                   |  |
| Source Off Leakage, $I_S$ (Off)                       | $\pm 0.003$ |                |                      | nA typ            | $V_D = \pm 10\text{ V}$ , $V_S = -10\text{ V}$ , see Figure 32                                       |
|   | $\pm 0.1$   | $\pm 0.6$      | $\pm 1$              | nA max            |  |
| Drain Off Leakage, $I_D$ (Off)                        | $\pm 0.003$ |                |                      | nA typ            | $V_S = 1\text{ V}/10\text{ V}$ , $V_D = 10\text{ V}/1\text{ V}$ , see Figure 32                      |
|   | $\pm 0.1$   | $\pm 0.6$      | $\pm 1$              | nA max            |  |
| Channel On Leakage, $I_D$ , $I_S$ (On)                | $\pm 0.02$  |                |                      | nA typ            | $V_S = V_D = \pm 10\text{ V}$ , see Figure 33  |
|   | $\pm 0.2$   | $\pm 0.6$      | $\pm 1$              | nA max            |  |
|   | $\pm 0.2$   | $\pm 0.6$      | $\pm 1$              | nA max            |  |
| <b>DIGITAL INPUTS</b>                                 |             |                |                      |                   |  |
| Input High Voltage, $V_{INH}$                         |             |                | 2.0                  | V min             |  |
| Input Low Voltage, $V_{INL}$                          |             |                | 0.8                  | V max             |  |
| Input Current, $I_{INL}$ or $I_{INH}$                 | $\pm 0.005$ |                |                      | $\mu\text{A}$ max | $V_{IN} = V_{INL}$ or $V_{INH}$  |
|   |             |                | $\pm 0.1$            | $\mu\text{A}$ max |  |
| Digital Input Capacitance, $C_{IN}$                   | 2           |                |                      | pF typ            |  |
| <b>DYNAMIC CHARACTERISTICS<sup>1</sup></b>            |             |                |                      |                   |  |
| Transition Time, $t_{TRANSITION}$                     | 80          |                |                      | ns typ            | $R_L = 300\ \Omega$ , $C_L = 35\text{ pF}$   |
|   | 130         | 165            | 185                  | ns max            | $V_S = 10\text{ V}$ , see Figure 34  |
| $t_{ON}$ (EN)   | 75          |                |                      | ns typ            | $R_L = 300\ \Omega$ , $C_L = 35\text{ pF}$   |
|   | 95          | 105            | 115                  | ns max            | $V_S = 10\text{ V}$ , see Figure 36  |
| $t_{OFF}$ (EN)  | 83          |                |                      | ns typ            | $R_L = 300\ \Omega$ , $C_L = 35\text{ pF}$   |
|   | 100         | 125            | 140                  | ns max            | $V_S = 10\text{ V}$ , see Figure 36  |
| Break-Before-Make Time Delay, $t_{BBM}$               | 25          |                |                      | ns typ            | $R_L = 300\ \Omega$ , $C_L = 35\text{ pF}$   |
|   |             |                | 10                   | ns min            | $V_{S1} = V_{S2} = 10\text{ V}$ , see Figure 35  |
| Charge Injection                                      | 0.4         |                |                      | pC typ            | $V_S = 0\text{ V}$ , $R_S = 0\ \Omega$ , $C_L = 1\text{ nF}$ , see Figure 37                         |
| Off Isolation   | -85         |                |                      | dB typ            | $R_L = 50\ \Omega$ , $C_L = 5\text{ pF}$ , $f = 1\text{ MHz}$ , see Figure 38                        |
| Channel to Channel Crosstalk                          | -85         |                |                      | dB typ            | $R_L = 50\ \Omega$ , $C_L = 5\text{ pF}$ , $f = 1\text{ MHz}$ , see Figure 40                        |
| Total Harmonic Distortion Plus Noise                  | 0.15        |                |                      | % typ             | $R_L = 10\text{ k}\Omega$ , $5\text{ V rms}$ , $f = 20\text{ Hz}$ to $20\text{ kHz}$ , see Figure 41 |
| -3 dB Bandwidth                                       | 550         |                |                      | MHz typ           | $R_L = 50\ \Omega$ , $C_L = 5\text{ pF}$ , see Figure 39   |
| $C_S$ (Off)   | 1           |                |                      | pF typ            | $f = 1\text{ MHz}$ , $V_S = 0\text{ V}$  |
|   | 1.5         |                |                      | pF max            | $f = 1\text{ MHz}$ , $V_S = 0\text{ V}$  |
| $C_D$ (Off), ADG1208                                  | 6           |                |                      | pF typ            | $f = 1\text{ MHz}$ , $V_S = 0\text{ V}$  |
|   | 7           |                |                      | pF max            | $f = 1\text{ MHz}$ , $V_S = 0\text{ V}$  |
| $C_D$ (Off), ADG1209                                  | 3.5         |                |                      | pF typ            | $f = 1\text{ MHz}$ , $V_S = 0\text{ V}$  |
|   | 4.5         |                |                      | pF max            | $f = 1\text{ MHz}$ , $V_S = 0\text{ V}$  |

| Parameter                                | +25°C                                    | -40°C to<br>+85°C | -40°C to<br>+125°C | Unit                                   | Test Conditions/Comments   |
|--|--|-------------------|--------------------|--|--|
|  | $C_D, C_S$ (On), <a href="#">ADG1208</a> | 7                 |                    |  |  |
| $C_D, C_S$ (On), <a href="#">ADG1209</a> | 8  |                   |                    | pF max                                 | $f = 1 \text{ MHz}, V_S = 0 \text{ V}$   |
|  | 5  |                   |                    | pF typ                                 | $f = 1 \text{ MHz}, V_S = 0 \text{ V}$   |
|  | 6  |                   |                    | pF max                                 | $f = 1 \text{ MHz}, V_S = 0 \text{ V}$   |
| <b>POWER REQUIREMENTS</b>                |  |                   |                    |  |  |
| $I_{DD}$                                 | 0.002                                    |                   | 1.0                | $\mu\text{A typ}$<br>$\mu\text{A max}$ | $V_{DD} = +16.5 \text{ V}, V_{SS} = -16.5 \text{ V}$<br>Digital inputs = 0 V or $V_{DD}$ |
| $I_{DD}$                                 | 220                                      |                   | 380                | $\mu\text{A typ}$<br>$\mu\text{A max}$ | Digital inputs = 5 V   |
| $I_{SS}$                                 | 0.002                                    |                   | 1.0                | $\mu\text{A typ}$<br>$\mu\text{A max}$ | Digital inputs = 0 V or $V_{DD}$   |
| $I_{SS}$                                 | 0.002                                    |                   | 1.0                | $\mu\text{A typ}$<br>$\mu\text{A max}$ | Digital inputs = 5 V   |
| $V_{DD}/V_{SS}$                          |  |                   | $\pm 5/\pm 16.5$   | V min/max                              | $ V_{DD}  =  V_{SS} $  |

<sup>1</sup> Guaranteed by design, not subject to production test.

**SINGLE SUPPLY**

$V_{DD} = 12\text{ V} \pm 10\%$ ,  $V_{SS} = 0\text{ V}$ ,  $GND = 0\text{ V}$ , unless otherwise noted. Temperature range is as follows: Y version:  $-40^{\circ}\text{C}$  to  $+125^{\circ}\text{C}$ .

**Table 2.**

| Parameter   | +25°C       | -40°C to<br>+85°C | -40°C to<br>+125°C | Unit              | Test Conditions/Comments  |
|---|-------------|-------------------|--------------------|-------------------|---|
| <b>ANALOG SWITCH</b>                                  |             |                   |                    |                   |   |
| Analog Signal Range                                   |             |                   | 0 to $V_{DD}$      | V                 |   |
| On Resistance, $R_{ON}$                               | 300         |                   |                    | $\Omega$ typ      | $V_S = 0\text{ V}$ to $10\text{ V}$ , $I_S = -1\text{ mA}$ , see Figure 31      |
|   | 475         | 567               | 625                | $\Omega$ max      | $V_{DD} = 10.8\text{ V}$ , $V_{SS} = 0\text{ V}$                                |
| On-Resistance Match Between Channels, $\Delta R_{ON}$ | 5           |                   |                    | $\Omega$ typ      | $V_S = 0\text{ V}$ to $10\text{ V}$ , $I_S = -1\text{ mA}$                      |
| On-Resistance Flatness, $R_{FLAT}$ (On)               | 16          | 26                | 27                 | $\Omega$ max      |   |
|   | 60          |                   |                    | $\Omega$ typ      | $V_S = 3\text{ V}/6\text{ V}/9\text{ V}$ , $I_S = -1\text{ mA}$                 |
| <b>LEAKAGE CURRENTS</b>                               |             |                   |                    |                   |   |
| Source Off Leakage, $I_S$ (Off)                       | $\pm 0.003$ |                   |                    | nA typ            | $V_{DD} = 13.2\text{ V}$  |
|   | $\pm 0.1$   | $\pm 0.6$         | $\pm 1$            | nA max            | $V_S = 1\text{ V}/10\text{ V}$ , $V_D = 10\text{ V}/1\text{ V}$ , see Figure 32 |
| Drain Off Leakage, $I_D$ (Off)                        | $\pm 0.003$ |                   |                    | nA typ            |   |
|   | $\pm 0.1$   | $\pm 0.6$         | $\pm 1$            | nA max            | $V_S = 1\text{ V}/10\text{ V}$ , $V_D = 10\text{ V}/1\text{ V}$ , see Figure 32 |
| Channel On Leakage $I_D$ , $I_S$ (On)                 | $\pm 0.02$  |                   |                    | nA typ            |   |
|   | $\pm 0.2$   | $\pm 0.6$         | $\pm 1$            | nA max            | $V_S = V_D = 1\text{ V}$ or $10\text{ V}$ , see Figure 33                       |
|   | $\pm 0.2$   | $\pm 0.6$         | $\pm 1$            | nA max            |   |
| <b>DIGITAL INPUTS</b>                                 |             |                   |                    |                   |   |
| Input High Voltage, $V_{INH}$                         |             |                   | 2.0                | V min             |   |
| Input Low Voltage, $V_{INL}$                          |             |                   | 0.8                | V max             |   |
| Input Current, $I_{INL}$ or $I_{INH}$                 | $\pm 0.001$ |                   |                    | $\mu\text{A}$ max | $V_{IN} = V_{INL}$ or $V_{INH}$   |
| Digital Input Capacitance, $C_{IN}$                   | 3           |                   |                    | pF typ            |   |
| <b>DYNAMIC CHARACTERISTICS<sup>1</sup></b>            |             |                   |                    |                   |   |
| Transition Time, $t_{TRANSITION}$                     | 100         |                   |                    | ns typ            | $R_L = 300\ \Omega$ , $C_L = 35\text{ pF}$                                      |
|   | 170         | 210               | 235                |                   | $V_S = 8\text{ V}$ , see Figure 34  |
| $t_{ON}$ (EN)   | 90          |                   |                    | ns typ            | $R_L = 300\ \Omega$ , $C_L = 35\text{ pF}$                                      |
|   | 110         | 140               | 160                |                   | $V_S = 8\text{ V}$ , see Figure 36  |
| $t_{OFF}$ (EN)  | 105         |                   |                    | ns typ            | $R_L = 300\ \Omega$ , $C_L = 35\text{ pF}$                                      |
|   | 130         | 155               | 175                |                   | $V_S = 8\text{ V}$ , see Figure 36  |
| Break-Before-Make Time Delay, $t_{BBM}$               | 45          |                   |                    | ns typ            | $R_L = 300\ \Omega$ , $C_L = 35\text{ pF}$                                      |
|   |             |                   | 20                 | ns min            | $V_{S1} = V_{S2} = 8\text{ V}$ , see Figure 35                                  |
| Charge Injection                                      | -0.2        |                   |                    | pC typ            | $V_S = 6\text{ V}$ , $R_S = 0\ \Omega$ , $C_L = 1\text{ nF}$ , see Figure 37    |
| Off Isolation   | -85         |                   |                    | dB typ            | $R_L = 50\ \Omega$ , $C_L = 5\text{ pF}$ , $f = 1\text{ MHz}$ , see Figure 38   |
| Channel to Channel Crosstalk                          | -85         |                   |                    | dB typ            | $R_L = 50\ \Omega$ , $C_L = 5\text{ pF}$ , $f = 1\text{ MHz}$ , see Figure 40   |
| -3 dB Bandwidth                                       | 450         |                   |                    | MHz typ           | $R_L = 50\ \Omega$ , $C_L = 5\text{ pF}$ , see Figure 39                        |
| $C_S$ (Off)   | 1.2         |                   |                    | pF typ            | $f = 1\text{ MHz}$ , $V_S = 6\text{ V}$   |
|   | 1.8         |                   |                    | pF max            | $f = 1\text{ MHz}$ , $V_S = 6\text{ V}$   |
| $C_D$ (Off), ADG1208                                  | 7.5         |                   |                    | pF typ            | $f = 1\text{ MHz}$ , $V_S = 6\text{ V}$   |
|   | 9           |                   |                    | pF max            | $f = 1\text{ MHz}$ , $V_S = 6\text{ V}$   |
| $C_D$ (Off), ADG1209                                  | 4.5         |                   |                    | pF typ            | $f = 1\text{ MHz}$ , $V_S = 6\text{ V}$   |
|   | 5.5         |                   |                    | pF max            | $f = 1\text{ MHz}$ , $V_S = 6\text{ V}$   |
| $C_D$ , $C_S$ (On), ADG1208                           | 9           |                   |                    | pF typ            | $f = 1\text{ MHz}$ , $V_S = 6\text{ V}$   |
|   | 10.5        |                   |                    | pF max            | $f = 1\text{ MHz}$ , $V_S = 6\text{ V}$   |
| $C_D$ , $C_S$ (On), ADG1209                           | 6           |                   |                    | pF typ            | $f = 1\text{ MHz}$ , $V_S = 6\text{ V}$   |
|   | 7.5         |                   |                    | pF max            | $f = 1\text{ MHz}$ , $V_S = 6\text{ V}$   |

| Parameter          | +25°C | -40°C to<br>+85°C | -40°C to<br>+125°C | Unit                                   | Test Conditions/Comments          |
|--------------------|-------|-------------------|--------------------|--|-----------------------------------|
| POWER REQUIREMENTS |       |                   |                    |  | $V_{DD} = 13.2\text{ V}$          |
| $I_{DD}$           | 0.002 |                   | 1.0                | $\mu\text{A typ}$<br>$\mu\text{A max}$ | Digital inputs = 0 V or $V_{DD}$  |
| $I_{DD}$           | 220   |                   | 380                | $\mu\text{A typ}$<br>$\mu\text{A max}$ | Digital inputs = 5 V              |
| $V_{DD}$           |       |                   | 5/16.5             | V min/max                              | $V_{SS} = 0\text{ V}$ , GND = 0 V |

<sup>1</sup> Guaranteed by design, not subject to production test.

## ABSOLUTE MAXIMUM RATINGS

$T_A = 25^\circ\text{C}$ , unless otherwise noted.

**Table 3.**

| Parameter  | Rating  |
|--|---|
| $V_{DD}$ to $V_{SS}$   | 35 V  |
| $V_{DD}$ to GND  | -0.3 V to +25 V   |
| $V_{SS}$ to GND  | +0.3 V to -25 V   |
| Analog Inputs <sup>1</sup>                                       | $V_{SS} - 0.3\text{ V}$ to $V_{DD} + 0.3\text{ V}$ or<br>30 mA (whichever occurs first) |
| Digital Inputs <sup>1</sup>                                      | GND - 0.3 V to $V_{DD} + 0.3\text{ V}$ or<br>30 mA (whichever occurs first)             |
| Continuous Current, S or D                                       | 30 mA   |
| Peak Current, S or D (Pulsed at<br>1 ms, 10% Duty Cycle Maximum) | 100 mA  |
| Operating Temperature Range                                      |   |
| Industrial (Y Version)   | -40°C to +125°C   |
| Storage Temperature  | -65°C to +150°C   |
| Junction Temperature   | 150°C   |
| $\theta_{JA}$ Thermal Impedance                                  |   |
| TSSOP  | 112°C/W   |
| LFCSP  | 30.4°C/W  |
| SOIC   | 77°C/W  |
| Reflow Soldering Peak<br>Temperature (Pb-Free)                   | 260(+0/-5)°C  |

<sup>1</sup> Overvoltages at A, EN, S, or D are clamped by internal diodes. Current should be limited to the maximum ratings given.

Stresses at or above those listed under Absolute Maximum Ratings may cause permanent damage to the product. This is a stress rating only; functional operation of the product at these or any other conditions above those indicated in the operational section of this specification is not implied. Operation beyond the maximum operating conditions for extended periods may affect product reliability.

### ESD CAUTION



**ESD (electrostatic discharge) sensitive device.** Charged devices and circuit boards can discharge without detection. Although this product features patented or proprietary protection circuitry, damage may occur on devices subjected to high energy ESD. Therefore, proper ESD precautions should be taken to avoid performance degradation or loss of functionality.

PIN CONFIGURATIONS AND FUNCTION DESCRIPTIONS

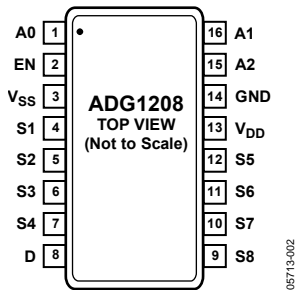


Figure 3. 16-Lead TSSOP Pin Configuration (ADG1208)



Figure 4. 16-Lead SOIC Pin Configuration (ADG1208)

Table 4. 16-Lead TSSOP and 16-Lead SOIC Pin Function Descriptions (ADG1208)

| Pin No. | Mnemonic        | Description   |
|---------|-----------------|---|
| 1       | A0              | Logic Control Input.  |
| 2       | EN              | Active High Digital Input. When low, the device is disabled and all switches are off. When high, Ax logic inputs determine on switches. |
| 3       | V <sub>SS</sub> | Most Negative Power Supply Potential. In single-supply applications, it can be connected to ground.                                     |
| 4       | S1              | Source Terminal 1. Can be an input or an output.  |
| 5       | S2              | Source Terminal 2. Can be an input or an output.  |
| 6       | S3              | Source Terminal 3. Can be an input or an output.  |
| 7       | S4              | Source Terminal 4. Can be an input or an output.  |
| 8       | D               | Drain Terminal. Can be an input or an output.   |
| 9       | S8              | Source Terminal 8. Can be an input or an output.  |
| 10      | S7              | Source Terminal 7. Can be an input or an output.  |
| 11      | S6              | Source Terminal 6. Can be an input or an output.  |
| 12      | S5              | Source Terminal 5. Can be an input or an output.  |
| 13      | V <sub>DD</sub> | Most Positive Power Supply Potential.   |
| 14      | GND             | Ground (0 V) Reference.   |
| 15      | A2              | Logic Control Input.  |
| 16      | A1              | Logic Control Input.  |





1. THE EXPOSED PAD IS CONNECTED INTERNALLY. FOR INCREASED RELIABILITY OF THE SOLDER JOINTS AND MAXIMUM THERMAL CAPABILITY, IT IS RECOMMENDED THAT THE PAD BE SOLDERED TO THE SUBSTRATE,  $V_{SS}$ .

06713-004

Figure 5. 16-Lead LFCSP Pin Configuration (ADG1208)

Table 5. 16-Lead LFCSP Pin Function Descriptions (ADG1208)

| Pin No. | Mnemonic | Description  |
|---------|----------|--|
| 1       | $V_{SS}$ | Most Negative Power Supply Potential. In single-supply applications, it can be connected to ground.  |
| 2       | S1       | Source Terminal 1. Can be an input or an output.   |
| 3       | S2       | Source Terminal 2. Can be an input or an output.   |
| 4       | S3       | Source Terminal 3. Can be an input or an output.   |
| 5       | S4       | Source Terminal 4. Can be an input or an output.   |
| 6       | D        | Drain Terminal. Can be an input or an output.  |
| 7       | S8       | Source Terminal 8. Can be an input or an output.   |
| 8       | S7       | Source Terminal 7. Can be an input or an output.   |
| 9       | S6       | Source Terminal 6. Can be an input or an output.   |
| 10      | S5       | Source Terminal 5. Can be an input or an output.   |
| 11      | $V_{DD}$ | Most Positive Power Supply Potential.  |
| 12      | GND      | Ground (0 V) Reference.  |
| 13      | A2       | Logic Control Input.   |
| 14      | A1       | Logic Control Input.   |
| 15      | A0       | Logic Control Input.   |
| 16      | EN       | Active High Digital Input. When low, the device is disabled and all switches are off. When high, Ax logic inputs determine on switches.  |
|         | EPAD     | Exposed Pad. The exposed pad is connected internally. For increased reliability of the solder joints and maximum thermal capability, it is recommended that the pad be soldered to the substrate, $V_{SS}$ . |

Table 6. ADG1208 Truth Table

| A2 | A1 | A0 | EN | On Switch |
|----|----|----|----|-----------|
| X  | X  | X  | 0  | None      |
| 0  | 0  | 0  | 1  | 1         |
| 0  | 0  | 1  | 1  | 2         |
| 0  | 1  | 0  | 1  | 3         |
| 0  | 1  | 1  | 1  | 4         |
| 1  | 0  | 0  | 1  | 5         |
| 1  | 0  | 1  | 1  | 6         |
| 1  | 1  | 0  | 1  | 7         |
| 1  | 1  | 1  | 1  | 8         |



Figure 6. 16-Lead TSSOP Pin Configuration (ADG1209)



Figure 7. 16-Lead SOIC Pin Configuration (ADG1209)

**Table 7. 16-Lead TSSOP and 16-Lead SOIC Pin Function Descriptions (ADG1209)**

| Pin No. | Mnemonic        | Description   |
|---------|-----------------|---|
| 1       | A0              | Logic Control Input.  |
| 2       | EN              | Active High Digital Input. When low, the device is disabled and all switches are off. When high, Ax logic inputs determine on switches. |
| 3       | V <sub>SS</sub> | Most Negative Power Supply Potential. In single-supply applications, it can be connected to ground.                                     |
| 4       | S1A             | Source Terminal 1A. Can be an input or an output.   |
| 5       | S2A             | Source Terminal 2A. Can be an input or an output.   |
| 6       | S3A             | Source Terminal 3A. Can be an input or an output.   |
| 7       | S4A             | Source Terminal 4A. Can be an input or an output.   |
| 8       | DA              | Drain Terminal A. Can be an input or an output.   |
| 9       | DB              | Drain Terminal B. Can be an input or an output.   |
| 10      | S4B             | Source Terminal 4B. Can be an input or an output.   |
| 11      | S3B             | Source Terminal 3B. Can be an input or an output.   |
| 12      | S2B             | Source Terminal 2B. Can be an input or an output.   |
| 13      | S1B             | Source Terminal 1B. Can be an input or an output.   |
| 14      | V <sub>DD</sub> | Most Positive Power Supply Potential.   |
| 15      | GND             | Ground (0 V) Reference.   |
| 16      | A1              | Logic Control Input.  |



1. THE EXPOSED PAD IS CONNECTED INTERNALLY. FOR INCREASED RELIABILITY OF THE SOLDER JOINTS AND MAXIMUM THERMAL CAPABILITY, IT IS RECOMMENDED THAT THE PAD BE SOLDERED TO THE SUBSTRATE, V<sub>SS</sub>.

06713-005

Figure 8. 16-Lead LFCSP Pin Configuration (ADG1209)

Table 8. 16-Lead LFCSP Pin Function Descriptions (ADG1209)

| Pin No. | Mnemonic        | Description   |
|---------|-----------------|---|
| 1       | V <sub>SS</sub> | Most Negative Power Supply Potential. In single-supply applications, it can be connected to ground.   |
| 2       | S1A             | Source Terminal 1A. Can be an input or an output.   |
| 3       | S2A             | Source Terminal 2A. Can be an input or an output.   |
| 4       | S3A             | Source Terminal 3A. Can be an input or an output.   |
| 5       | S4A             | Source Terminal 4A. Can be an input or an output.   |
| 6       | DA              | Drain Terminal A. Can be an input or an output.   |
| 7       | DB              | Drain Terminal B. Can be an input or an output.   |
| 8       | S4B             | Source Terminal 4B. Can be an input or an output.   |
| 9       | S3B             | Source Terminal 3B. Can be an input or an output.   |
| 10      | S2B             | Source Terminal 2B. Can be an input or an output.   |
| 11      | S1B             | Source Terminal 1B. Can be an input or an output.   |
| 12      | V <sub>DD</sub> | Most Positive Power Supply Potential.   |
| 13      | GND             | Ground (0 V) Reference.   |
| 14      | A1              | Logic Control Input.  |
| 15      | A0              | Logic Control Input.  |
| 16      | EN              | Active High Digital Input. When low, the device is disabled and all switches are off. When high, Ax logic inputs determine on switches.   |
|         | EPAD            | Exposed Pad. The exposed pad is connected internally. For increased reliability of the solder joints and maximum thermal capability, it is recommended that the pad be soldered to the substrate, V <sub>SS</sub> . |

Table 9. ADG1209 Truth Table

| A1 | A0 | EN | On Switch Pair |
|----|----|----|----------------|
| X  | X  | 0  | None           |
| 0  | 0  | 1  | 1              |
| 0  | 1  | 1  | 2              |
| 1  | 0  | 1  | 3              |
| 1  | 1  | 1  | 4              |

TYPICAL PERFORMANCE CHARACTERISTICS



Figure 9. On Resistance as a Function of  $V_D$  ( $V_S$ ) for Dual Supply

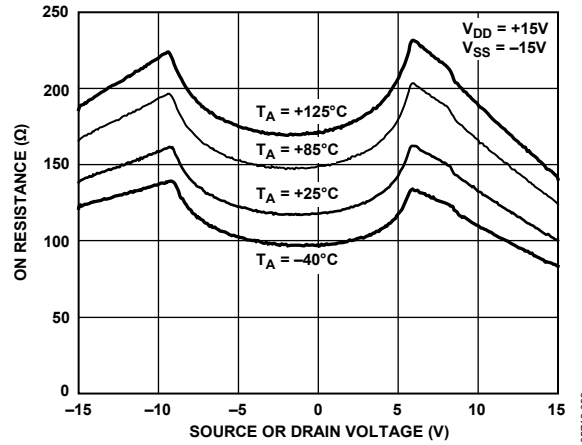


Figure 12. On Resistance as a Function of  $V_D$  ( $V_S$ ) for Different Temperatures, Dual Supply



Figure 10. On Resistance as a Function of  $V_D$  ( $V_S$ ) for Dual Supply

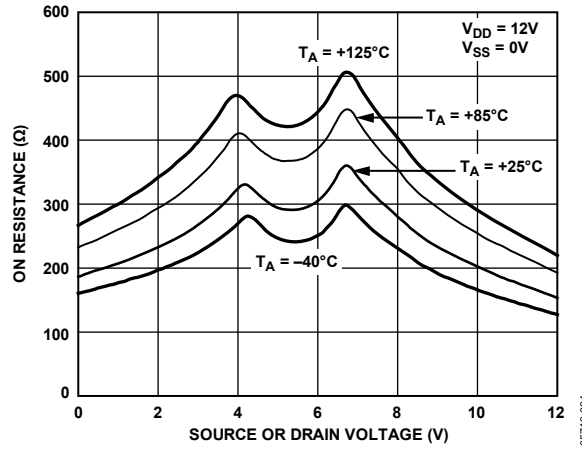


Figure 13. On Resistance as a Function of  $V_D$  ( $V_S$ ) for Different Temperatures, Single Supply



Figure 11. On Resistance as a Function of  $V_D$  ( $V_S$ ) for Single Supply

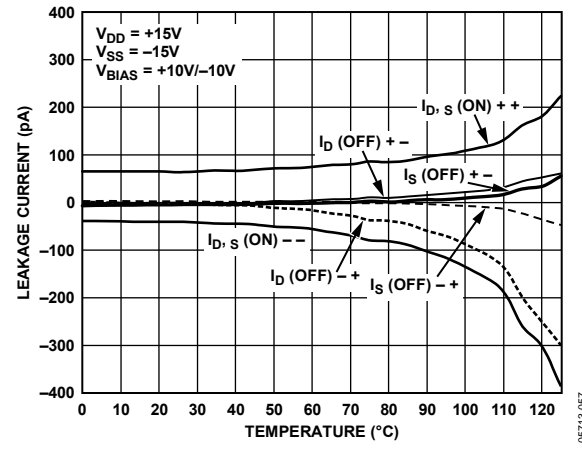


Figure 14. ADG1208 Leakage Currents as a Function of Temperature, Dual Supply



Figure 15. ADG1208 Leakage Currents as a Function of Temperature, Single Supply



Figure 18. Drain-to-Source Charge Injection vs. Source Voltage



Figure 16.  $I_{DD}$  vs. Logic Level



Figure 19.  $t_{ON}/t_{OFF}$  Times vs. Temperature



Figure 17. Source-to-Drain Charge Injection vs. Source Voltage



Figure 20. Off Isolation vs. Frequency



Figure 21. ADG1208 Crosstalk vs. Frequency

05713-042



Figure 24. THD + N vs. Frequency

05713-036



Figure 22. ADG1209 Crosstalk vs. Frequency

05713-053



Figure 25. ADG1208 Capacitance vs. Source Voltage, ±15 V Dual Supply

05713-043



Figure 23. On Response vs. Frequency

05713-054

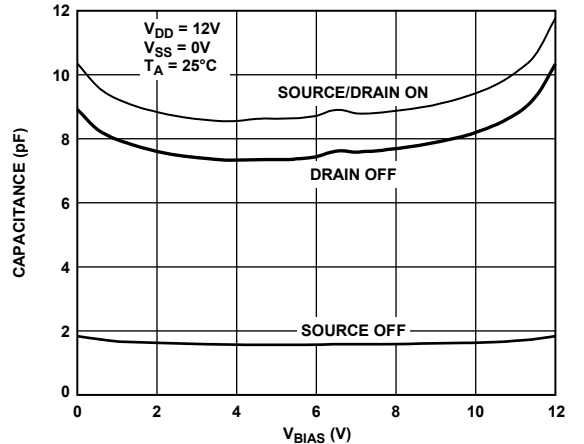


Figure 26. ADG1208 Capacitance vs. Source Voltage, 12 V Single Supply

05713-045



Figure 27. ADG1208 Capacitance vs. Source Voltage, ±5 V Dual Supply



Figure 29. ADG1209 Capacitance vs. Source Voltage, 12 V Single Supply



Figure 28. ADG1209 Capacitance vs. Source Voltage, ±15 V Dual Supply

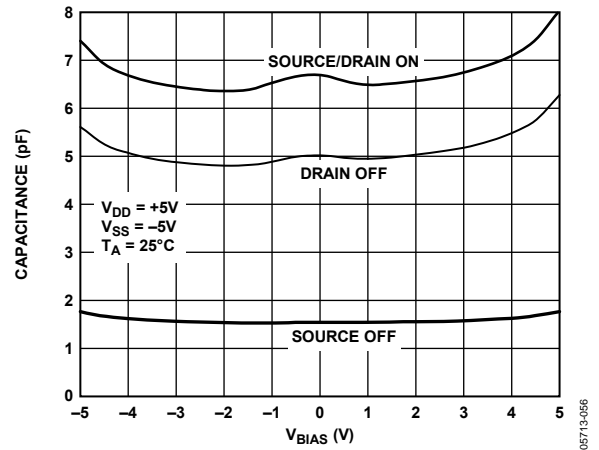


Figure 30. ADG1209 Capacitance vs. Source Voltage, ±5 V Dual Supply

## TERMINOLOGY

### $R_{ON}$

Ohmic resistance between D and S.

### $\Delta R_{ON}$

Difference between the  $R_{ON}$  of any two channels.

### $I_S$ (Off)

Source leakage current when the switch is off.

### $I_D$ (Off)

Drain leakage current when the switch is off.

### $I_D, I_S$ (On)

Channel leakage current when the switch is on.

### $V_D$ ( $V_S$ )

Analog voltage on Terminal D, Terminal S.

### $C_S$ (Off)

Channel input capacitance for off condition.

### $C_D$ (Off)

Channel output capacitance for off condition.

### $C_D, C_S$ (On)

On switch capacitance.

### $C_{IN}$

Digital input capacitance.

### $t_{ON}$ (EN)

Delay time between the 50% and 90% points of the digital input and switch on condition.

### $t_{OFF}$ (EN)

Delay time between the 50% and 90% points of the digital input and switch off condition.

### $t_{TRANSITION}$

Delay time between the 50% and 90% points of the digital inputs and the switch on condition when switching from one address state to another.

### $T_{BMM}$

Off time measured between the 80% point of both switches when switching from one address state to another.

### $V_{INL}$

Maximum input voltage for Logic 0.

### $V_{INH}$

Minimum input voltage for Logic 1.

### $I_{INL}$ ( $I_{INH}$ )

Input current of the digital input.

### $I_{DD}$

Positive supply current.

### $I_{SS}$

Negative supply current.

### Off Isolation

A measure of unwanted signal coupling through an off channel.

### Charge Injection

A measure of the glitch impulse transferred from the digital input to the analog output during switching.

### Bandwidth

The frequency at which the output is attenuated by 3 dB.

### On Response

The frequency response of the on switch.

### Total Harmonic Distortion Plus Noise (THD + N)

The ratio of the harmonic amplitude plus noise of the signal to the fundamental.



TEST CIRCUITS



Figure 31. On Resistance



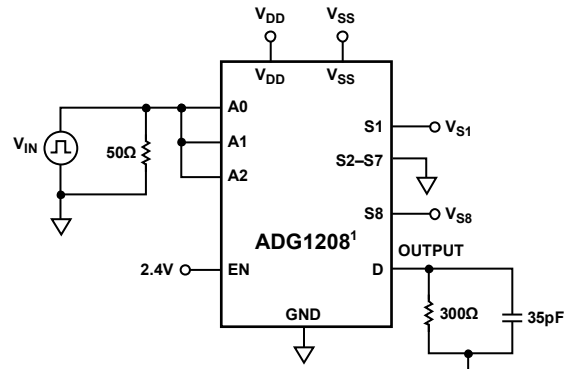
Figure 33. On Leakage



Figure 32. Off Leakage



Figure 34. Address to Output Switching Times,  $t_{TRANSITION}$

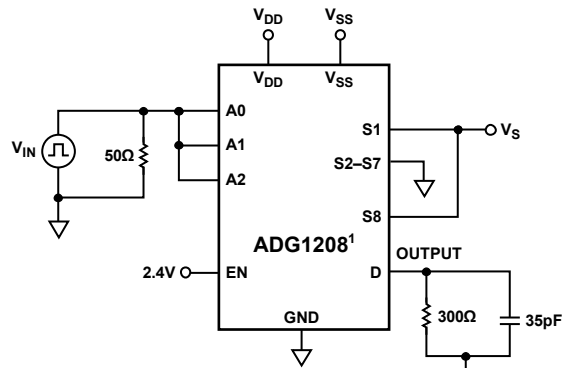


<sup>1</sup>SIMILAR CONNECTION FOR ADG1209.

05713-022



Figure 35. Break-Before-Make Delay,  $t_{BBM}$



<sup>1</sup>SIMILAR CONNECTION FOR ADG1209.

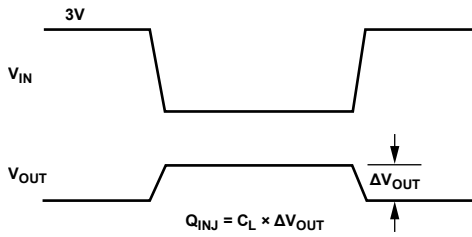
05713-023



<sup>1</sup>SIMILAR CONNECTION FOR ADG1209.

05713-024

Figure 36. Enable Delay,  $t_{ON}(EN)$ ,  $t_{OFF}(EN)$



<sup>1</sup>SIMILAR CONNECTION FOR ADG1209.

05713-025

Figure 37. Charge Injection



Figure 38. Off Isolation



Figure 40. Channel to Channel Crosstalk



Figure 39. Bandwidth



Figure 41. THD + N

OUTLINE DIMENSIONS



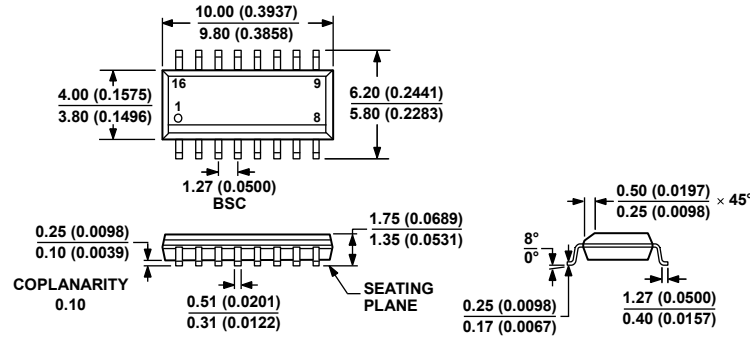
COMPLIANT TO JEDEC STANDARDS MO-153-AB

Figure 42. 16-Lead Thin Shrink Small Outline Package [TSSOP] (RU-16)  
Dimensions shown in millimeters



COMPLIANT TO JEDEC STANDARDS MO-220-WGGC.

Figure 43. 16-Lead Lead Frame Chip Scale Package [LFCSP] 4 mm x 4 mm Body and 0.75 mm Package Height (CP-16-23)  
Dimensions shown in millimeters



COMPLIANT TO JEDEC STANDARDS MS-012-AC  
 CONTROLLING DIMENSIONS ARE IN MILLIMETERS; INCH DIMENSIONS  
 (IN PARENTHESES) ARE ROUNDED-OFF MILLIMETER EQUIVALENTS FOR  
 REFERENCE ONLY AND ARE NOT APPROPRIATE FOR USE IN DESIGN.

060606-A

Figure 44. 16-Lead Standard Small Outline Package [SOIC\_N]  
 Narrow Body (R-16)  
 Dimensions shown in millimeters and (inches)

**ORDERING GUIDE**

| Model <sup>1</sup> | Temperature Range | Package Description                                | Package Option |
|--------------------|-------------------|--|----------------|
| ADG1208YRUZ        | -40°C to +125°C   | 16-Lead Thin Shrink Small Outline Package [TSSOP]  | RU-16          |
| ADG1208YRUZ-REEL7  | -40°C to +125°C   | 16-Lead Thin Shrink Small Outline Package [TSSOP]  | RU-16          |
| ADG1208YCPZ-REEL   | -40°C to +125°C   | 16-Lead Lead Frame Chip Scale Package [LFCSP]      | CP-16-23       |
| ADG1208YCPZ-REEL7  | -40°C to +125°C   | 16-Lead Lead Frame Chip Scale Package [LFCSP]      | CP-16-23       |
| ADG1208YRZ         | -40°C to +125°C   | 16-Lead Narrow Body Small Outline Package [SOIC_N] | R-16           |
| ADG1208YRZ-REEL7   | -40°C to +125°C   | 16-Lead Narrow Body Small Outline Package [SOIC_N] | R-16           |
| ADG1209YRUZ        | -40°C to +125°C   | 16-Lead Thin Shrink Small Outline Package [TSSOP]  | RU-16          |
| ADG1209YRUZ-REEL7  | -40°C to +125°C   | 16-Lead Thin Shrink Small Outline Package [TSSOP]  | RU-16          |
| ADG1209YCPZ-REEL7  | -40°C to +125°C   | 16-Lead Lead Frame Chip Scale Package [LFCSP]      | CP-16-23       |
| ADG1209YRZ         | -40°C to +125°C   | 16-Lead Narrow Body Small Outline Package [SOIC_N] | R-16           |
| ADG1209YRZ-REEL7   | -40°C to +125°C   | 16-Lead Narrow Body Small Outline Package [SOIC_N] | R-16           |

<sup>1</sup> Z = RoHS Compliant Part.

# Mouser Electronics

Authorized Distributor

Click to View Pricing, Inventory, Delivery & Lifecycle Information:

[Analog Devices Inc.:](#)

[ADG1208YRZ](#) [ADG1208YRZ-REEL7](#) [ADG1208YCPZ-REEL](#) [ADG1208YRUZ](#) [ADG1208YRUZ-REEL7](#)  
[ADG1208YCPZ-REEL7](#)