

ILLUMINATED & SEALED PUSHBUTTONS

LP3
ILLUMINATED
PUSHBUTTONS

MOMENTARY ACTION COMMERCIAL GRADE LED ILLUMINATED & SEALED

Raised Dome



Front Mount



The LP3 offers rugged, sealed construction with the added benefit of reliable LED illumination. This precision snap-action switch is designed for use in off-highway, material handling, industrial controls, marine, medical and demanding commercial applications. Choose from the standard mounting styles and electrical ratings, or contact us for custom configurations.

On sealed models, a silicone boot operating on our patented "rolling sleeve" principle protects the contact area against contamination at the button area. This boot provides long life and smooth operation over a wide temperature range. Sealed terminals protect the contact area from hostile environments and solder flux on both sealed and unsealed models.

High contact pressure, amazingly low contact resistance and extremely low contact bounce are all the result of the OTTO snap-action mechanism. Extra long electrical life and precise trip point offer added value and precision operation.

Features:

- **Watertight to IP68S or moistureproof & dusttight to IP64**
- **LED lighted with the ability to accommodate 2, 6, 12 & 24VDC power & includes reverse voltage protection**
- **Tall & dome style buttons permitting sublimated & pad printed legends**
- **Less than 25mΩ contact resistance, low level option**
- **Quick disconnect terminals**
- **15/32" & 5/8" thread, press fit & dome case options**
- **RoHS/WEEE/Reach compliant**

Standard Characteristics/Ratings:

ELECTRICAL RATINGS:

Load	Sea Level @ 28VDC or 115VAC, 60/400Hz
Resistive	5A
Inductive	3A
Lamp	1A
Motor	3A
DWV	1050Vrms through switch contacts only
Low Level	10mA @ 30mV

Electrical Life: 25,000 cycles

LIGHTING:

Light Source Voltage (DC)	Actual Voltage Nominal (DC)	Voltage Max (DC)
2	2	2.6
6	7	8
12	13.5	14.5
24	28	28.6

Mechanical Life: 250,000 cycles @ +85°C
25,000 cycles @ -40°C

Seal: IP64 or IP68S

Operating Temp Range: -40°C to +85°C

Operating Force: 2.5 +/- .5 lbs. or 5.0 +/- 1.0 lb.

Total Travel: 0.080 inches max

Overtravel: 0.010 inches min

MATERIALS:

Case: Anodized aluminum alloy

Button: Thermoplastic

Terminals: Standard and low level options available

Mounting Hardware: Hex nut, lockwasher and panel gasket when applicable

LP3 PART NUMBER CODE

Case Style	Circuit Rating	Light Source Type* w/ Rev. Pol Protection	Seal Level	Operating Force	Case Color	Button Color	Legend Style
E. Exposed Dome	1. SPST N.O./Std.	A. 2V Red LED	1. Unsealed	2. 2.5 ± .5 lbs.	1. Silver	A. Amber, Translucent (use Amber LED)	Refer to Legend Table for legend codes in Appendix. Legends will be printed in white on amber and red buttons and in black on white buttons.
F. Flush Dome	2. SPST N.C./Std.	B. 2V Green LED	2. Dusttight	5. 5.0 ± 1 lbs.	2. Black	R. Red, Translucent (use Red LED)	
R. Raised Dome	3. SPDT 2 Circuit/Std.	C. 2V Amber LED	3. Watertight			W. White, Translucent	
1. Press Fit Mount	4. SPST N.O./Low Level	D. 6V Red LED					
3. 5/8" Thread Front Mount	5. SPST N.C./Low Level	E. 6V Green LED					
4. 15/32" Thread Rear Mount	6. SPDT 2 Circuit/Low Level	F. 6V Amber LED					
6. 5/8" Thread Rear Mount		G. 12V Red LED					
		H. 12V Green LED					
		J. 12V Amber LED					
		K. 24V Red LED					
		L. 24V Green LED					
		M. 24V Amber LED					
		N. 2V Blue LED					
		P. 6V Blue LED					
		Q. 12V Blue LED					
		R. 24V Blue LED					
		S. 2V Deep Green LED					
		T. 6V Deep Green LED					
		U. 12V Deep Green LED					
		V. 24V Deep Green LED					

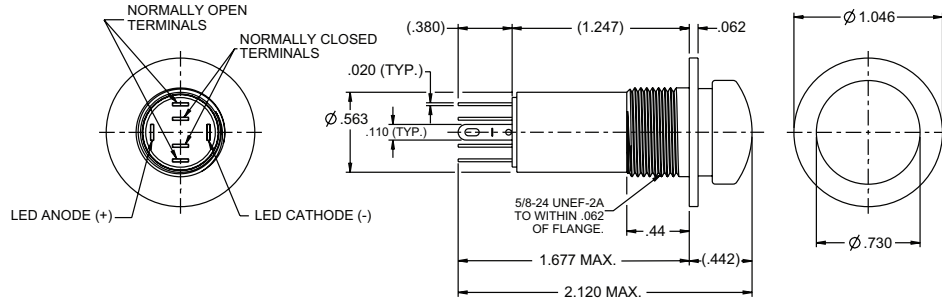
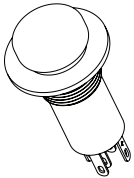
* For super bright LEDs, contact factory.

STOP HERE for
illuminated switches
without legends.

MOMENTARY ACTION COMMERCIAL GRADE LED ILLUMINATED & SEALED

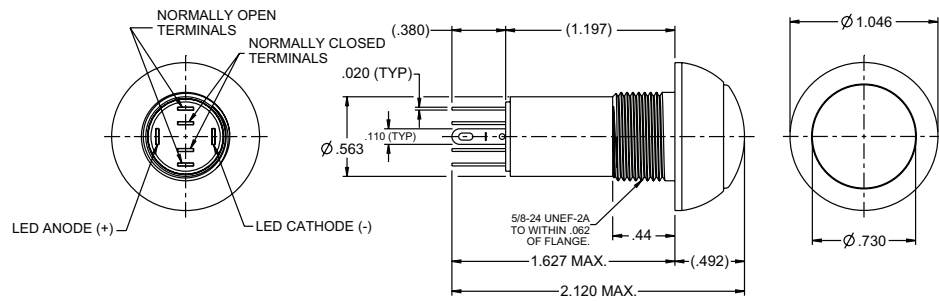
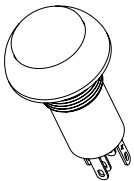
LP3-E

Momentary, Exposed Dome Button



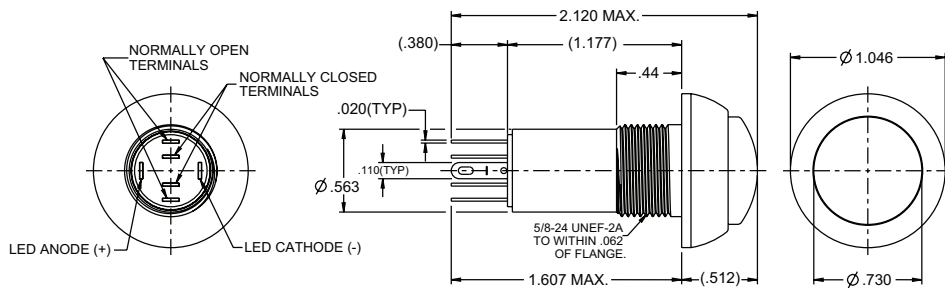
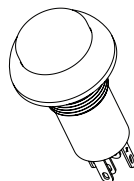
LP3-F

Momentary, Flush Dome Button



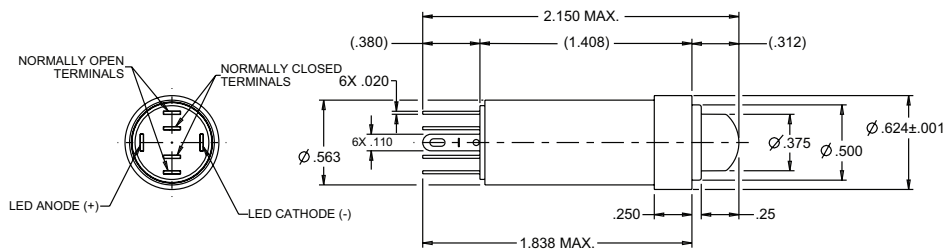
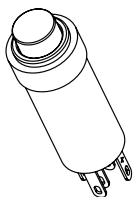
LP3-R

Momentary, Raised Dome Button



LP3-1

Momentary, Press Fit Mount

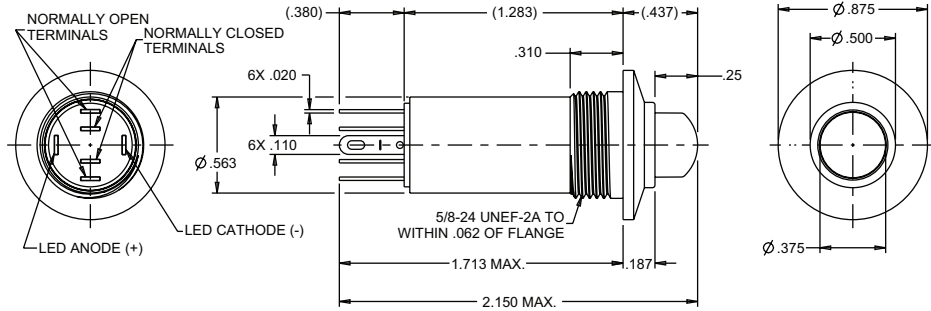
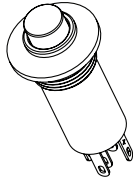


ILLUMINATED & SEALED PUSHBUTTONS

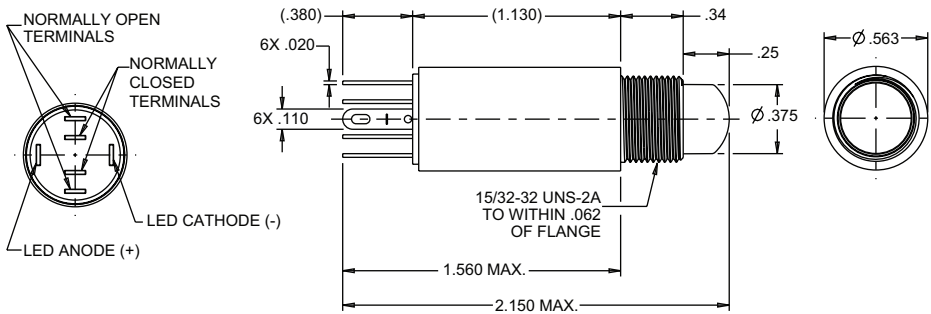
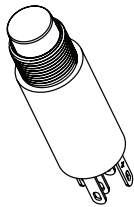
LP3
ILLUMINATED
PUSHBUTTONS

MOMENTARY ACTION COMMERCIAL GRADE LED ILLUMINATED & SEALED

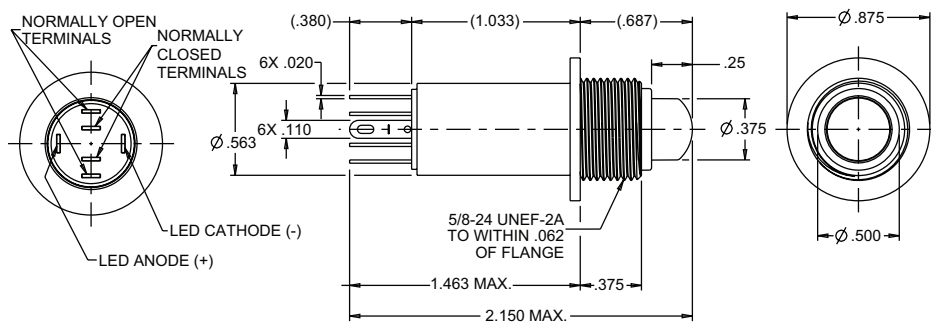
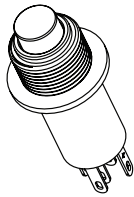
LP3-3
Momentary, 5/8" Threaded Front Mount



LP3-4
Momentary, 15/32" Threaded Rear Mount

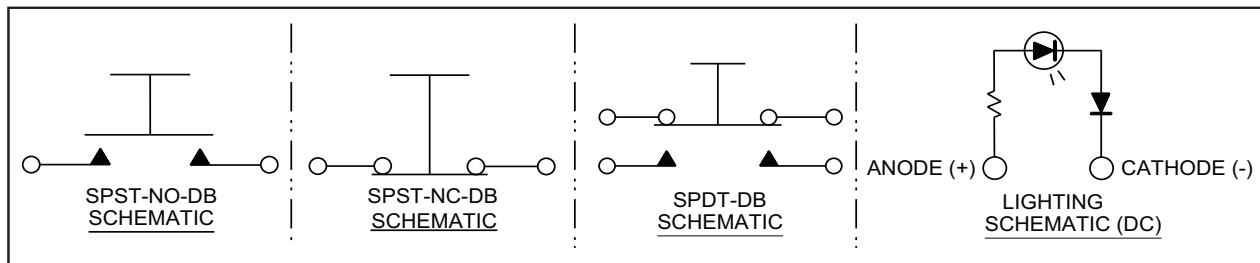


LP3-6
Momentary, 5/8" Threaded Rear Mount



NOTE:

For indicator light only,
see LPL indicator light pages 105-107.



Mouser Electronics

Authorized Distributor

Click to View Pricing, Inventory, Delivery & Lifecycle Information:

OTTO:

[LP3-V13A3212](#) [LP3-V13B3212](#) [LP3-V13C3212](#) [LP3-V13N3212](#) [LP3-F3A322R](#) [LP3-F3B322W](#) [LP3-F3C322A](#) [LP3-63A322R](#) [LP3-63B322W](#) [LP3-63C322A](#) [LP3-R1E322W](#) [LP3-R4A321W](#) [LP3-11G322W](#) [LP3-11K322R](#) [LP3-11L322W](#) [LP3-11M322A](#) [LP3-E1G352R-B2](#) [LP3-E1J221W](#) [LP3-E1J222W](#) [LP3-E1J322A-H1](#) [LP3-E1K322W](#) [LP3-E1K352R](#) [LP3-E1L252W](#) [LP3-E3A352R](#) [LP3-E3D352R](#) [LP3-E3E352W](#) [LP3-E3G352R](#) [LP3-E3H322W](#) [LP3-E3H352W](#) [LP3-E3K352R](#) [LP3-E4F122W-R3](#) [LP3-E6G322R](#) [LP3-F1A321W](#) [LP3-F1A322R](#) [LP3-F1B322W](#) [LP3-F1C122A](#) [LP3-F1E322W](#) [LP3-F1G121R](#) [LP3-F1G222R](#) [LP3-F1G322R](#) [LP3-F1G352R](#) [LP3-F1H222W](#) [LP3-F1H251W](#) [LP3-F1H322W](#) [LP3-F1H352W](#) [LP3-F1J122W](#) [LP3-F1J222A](#) [LP3-F1J222W](#) [LP3-F1J322A](#) [LP3-F1J322W](#) [LP3-F1J352A](#) [LP3-F1K222R](#) [LP3-F1K322R](#) [LP3-F1K322W](#) [LP3-F1K352R](#) [LP3-F1L322W](#) [LP3-F1L352W](#) [LP3-F1M322A](#) [LP3-F1M322W](#) [LP3-F1M352A](#) [LP3-F1M352A-E1](#) [LP3-F2G322R](#) [LP3-F2J222A](#) [LP3-F3D352R](#) [LP3-F3G352R](#) [LP3-F3G352W](#) [LP3-F3H352W](#) [LP3-F3J352A](#) [LP3-F3K352R](#) [LP3-F3L352W](#) [LP3-F3M352A](#) [LP3-F4B322W](#) [LP3-F4C322A](#) [LP3-F4G322R](#) [LP3-F4K222R](#) [LP3-R1A222R](#) [LP3-R1A321W](#) [LP3-R1A322R](#) [LP3-R1B321W](#) [LP3-R1F322A](#) [LP3-R1G321W](#) [LP3-R1G322R](#) [LP3-R1G322W](#) [LP3-R1G352R](#) [LP3-R1H321W](#) [LP3-R1H321W-E1](#) [LP3-R1H322W](#) [LP3-R1J222W](#) [LP3-R1J321A-H1](#) [LP3-R1J322A](#) [LP3-R1J322A-B1](#) [LP3-R1K252R](#) [LP3-R1K321R](#) [LP3-R1K321W](#) [LP3-R1K322W-K1](#) [LP3-R1K322W-R3](#) [LP3-R1L222W](#) [LP3-R1L322W-K2](#) [LP3-R1L322W-R4](#) [LP3-R1L322W-T1](#)