

### Ø 63 mm 33 and 67 Watts 33 W Part number 82830010



- Long service life
- Usable power : 27 to 50 W
- For low-speed, high-power drive applications
- With 2 ball bearings
- Power supply via 2 output leads

#### Part numbers

	Type	Type	Voltage	References
82830010	33 W	828300	24 V	Without encoder

#### Specifications

##### No-load characteristics

Speed of rotation (rpm)	2100
Absorbed power (W)	4,8
Absorbed current (A)	0,2

##### Nominal characteristics

Speed (rpm)	1500
Torque (mNm)	172
Usable power (W)	27
Absorbed power (W)	45
Absorbed current (A)	1,9
Gearbox case temperature rise (°C)	50
Efficiency (%)	60

##### General characteristics

Insulation class (conforming to IEC 85)	F (155 °C)
Protection (IEC/EN 60529)	IP20
Max. output power (W)	33
Start torque (mNm)	600
Starting current (A)	6,2
Resistance (Ω)	3,9
Inductance (mH)	6,4
Torque constant (Nm/A)	0,1
Electrical time constant (ms)	1,64
Mechanical time constant (ms)	19
Thermal time constant (mn)	37
Inertia (g.cm <sup>2</sup> )	492
Weight (g)	840
Number of segments	12
Service life (h)	5000
Ball bearings	■
Wires length (mm)	200

##### Encoder characteristics

Current consumption (mA)	0,15 → 15
Output current (mA)	< 20 (25 °C)
Supply (V)	4,5 → 35 DC
Ambient temperature (°C)	-25 → +85

#### Accessories

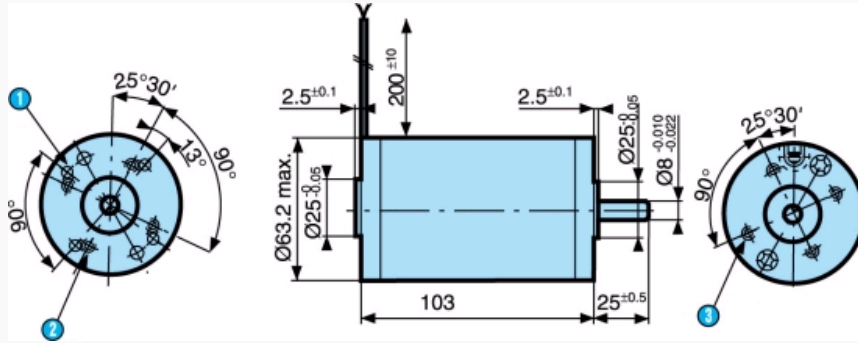
Connection	Code
Pre-assembled female connector, casing 179228-3, tags 179227-1 and leads AWG24 250 mm	79209895

#### Made to order products, available on request

- Other supply voltages
- Shaft lengths at front and/or rear
- Built-in interference suppression
- Encoders
- Other fixing flanges on front and rear
- Short version possible (L = 90 mm)

#### Dimensions (mm)

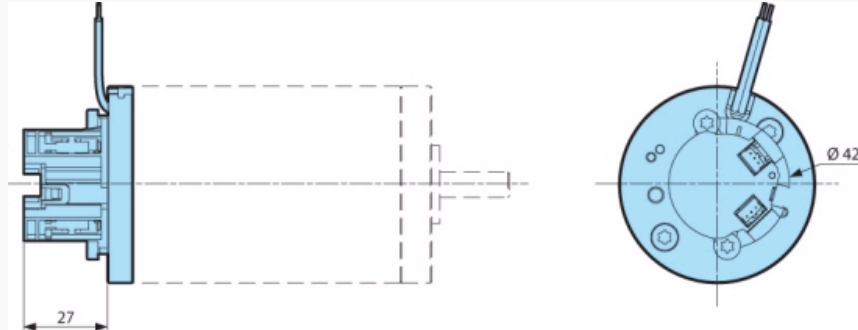
82 830 0 - 82 830 5 without encoder



N°	Legend
1	4 holes $\varnothing 3.65 \pm 0.05$ at $90^\circ$ over $\varnothing 48$
2	4 holes M5 over $\varnothing 40$ mm depth 7 mm
3	4 holes M5 over $\varnothing 40$ mm depth 7 mm

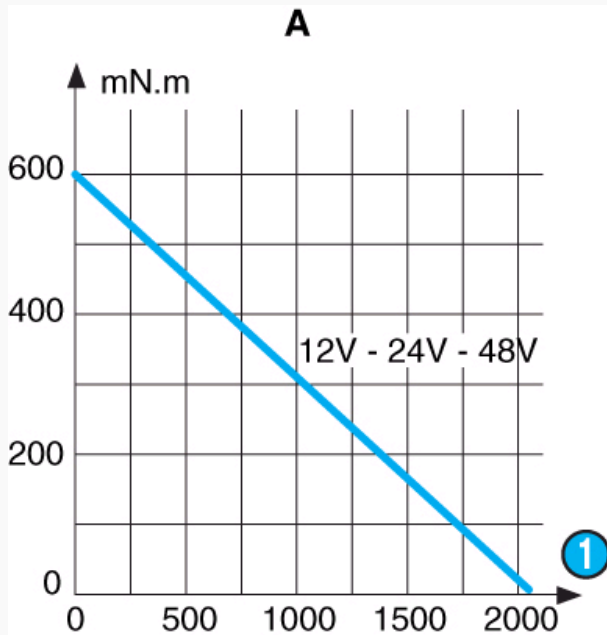
**Dimensions (mm)**

Encoder on types 828300 - 828305



**Curves**

828300

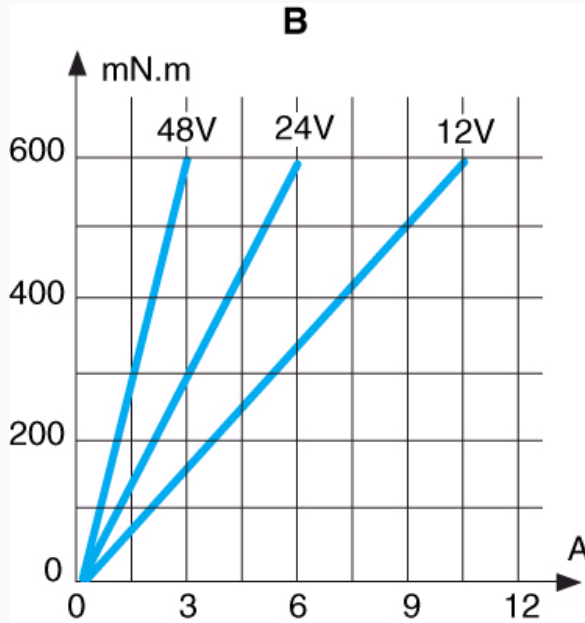


N°	Legend
1	rpm

✖	Torque/speed curve
---	--------------------

**Curves**

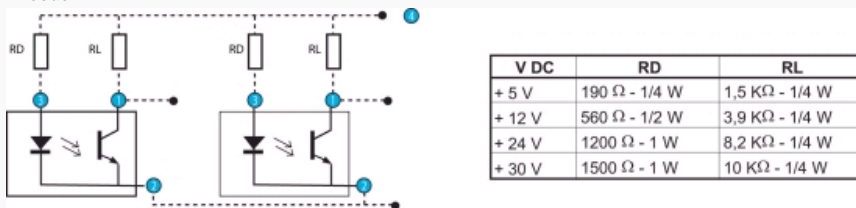
828300



✖	Legend
✖	Torque/current curve

**Connections**

Encoder



N°	Legend
①	Signal output
②	0 V DC (encoder power ground supply)
③	Emitting diode
④	Power supply V DC

**Product adaptations**

- Special output shaft
- Pinion on output shaft
- Special supply voltage
- Special cable length
- Special ball bearings
- Optical or Hall effect encoder - 1 or 2 channels - other resolutions
- Special mounting plate
- Special connectors
- EMC filter

# Mouser Electronics

Authorized Distributor

Click to View Pricing, Inventory, Delivery & Lifecycle Information:

[Crouzet:](#)

[82830010](#)