

FEATURES

- ※ Variety of actuator lengths
- ※ Optional ground pin
- ※ Cap options

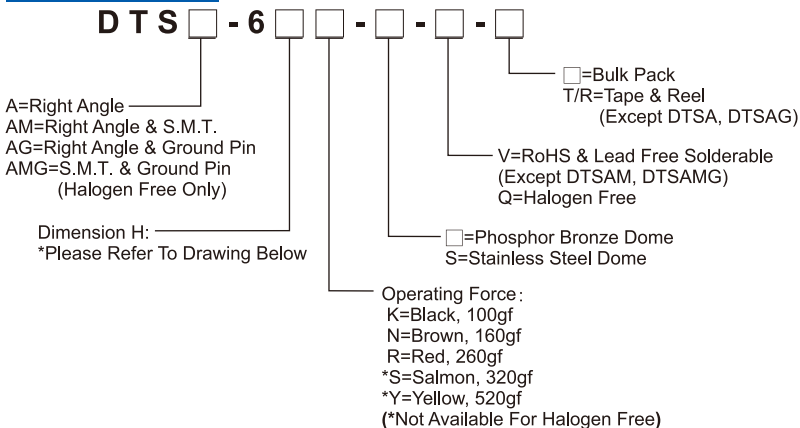
APPLICATION

- ※ Audio, OA equipment
- ※ Instrumentation
- ※ Setup box

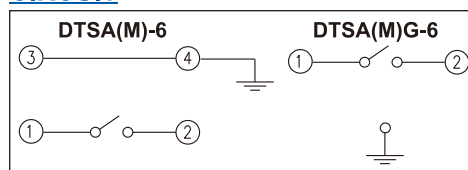
SPECIFICATION

Contact Rating	50mA, 12V DC
Contact Resistance	100mΩ max.
Insulation Resistance	100MΩ min. 500V DC
Dielectric Strength	250V AC/1 minute
Operating Force	100±50gf, Black(K) 160±50gf, Brown(N) 260±50gf, Red(R) 320±80gf, Salmon(S) 520±130gf, Yellow(Y)
Travel	0.25mm
Operating Life	Phosphor Bronze Dome 50,000 cycles for 520/320gf 100,000 cycles for 260gf 200,000 cycles for 160/100gf Stainless Steel Dome 300,000 cycles for 520/320gf 500,000 cycles for 260gf 1,000,000 cycles for 160/100gf
Operating Temp.	-25°C ~ +70°C
Storage Temp.	-30°C ~ +80°C

HOW TO ORDER



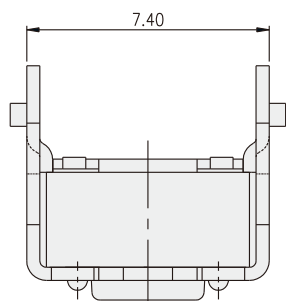
CIRCUIT



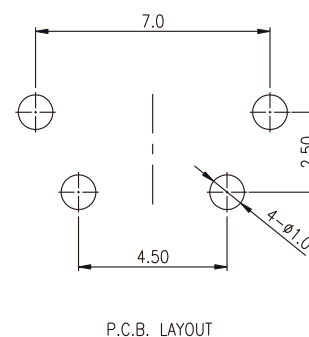
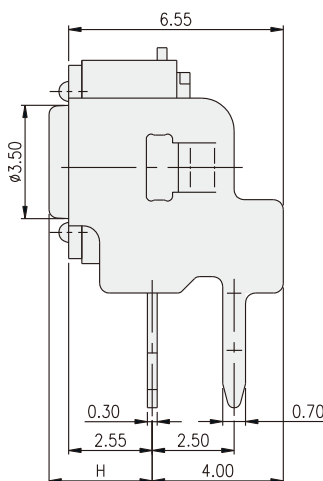
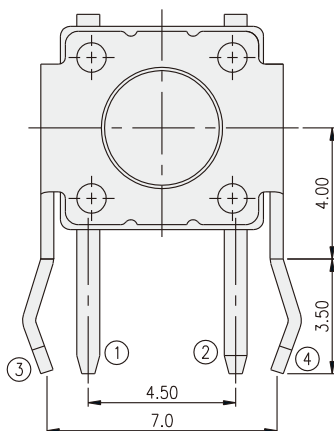
PACKAGE

<Bag>
DTSA(G)-6: 500 pcs
<Tape & Reel>
DTSAM-6: 500 pcs
DTSAMG-61, 62: 500 pcs
DTSAMG-63, 64, 65: 380 pcs

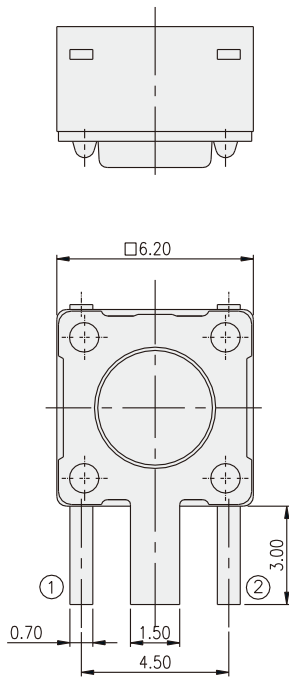
DTSA-6



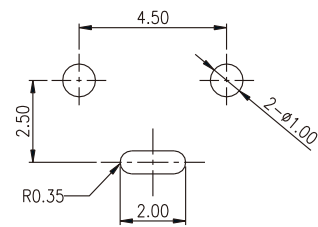
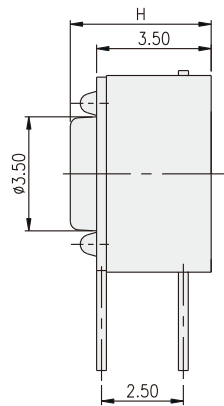
PART NO.	H
DTSA-61	3.15
DTSA-62	3.85
DTSA-63	5.85
DTSA-644	6.15(SQ.2.40)
DTSA-648	6.15(SQ.2.80)
DTSA-65	8.35
DTSA-66	11.85



DTSAG-6



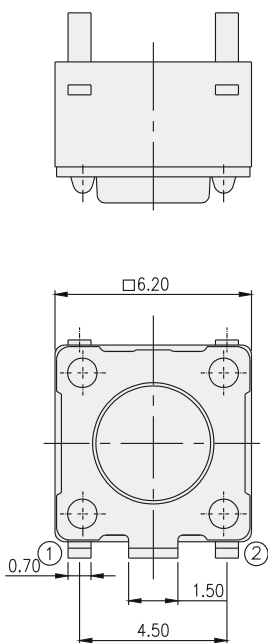
PART NO.	H
DTSAG-61	4.30
DTSAG-62	5.00
DTSAG-63	7.00
DTSAG-644	7.30(SQ.2.40)
DTSAG-648	7.30(SQ.2.80)
DTSAG-65	9.50
DTSAG-66	13.00



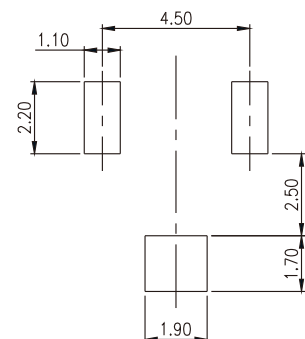
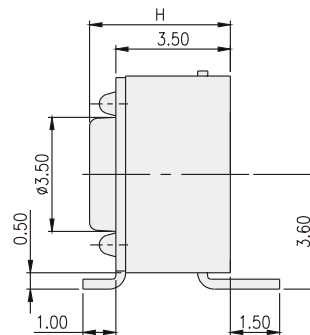
P.C.B. LAYOUT

TACT SWITCH

DTSAMG-6

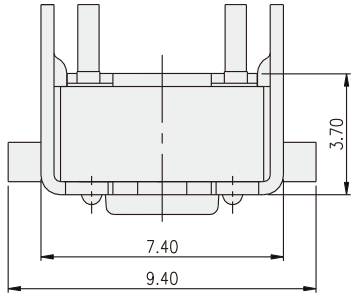


PART NO.	H
DTSAMG-61	4.30
DTSAMG-62	5.00
DTSAMG-63	7.00
DTSAMG-644	7.30(SQ.2.40)
DTSAMG-648	7.30(SQ.2.80)
DTSAMG-65	9.50
DTSAMG-66	13.00



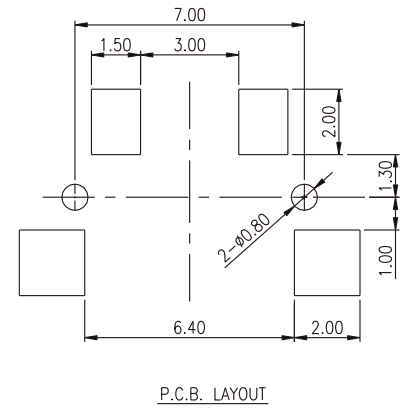
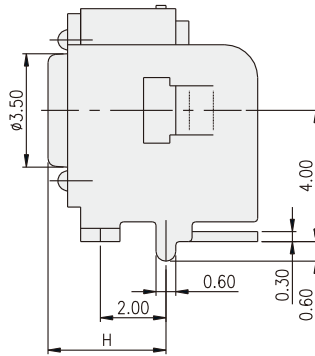
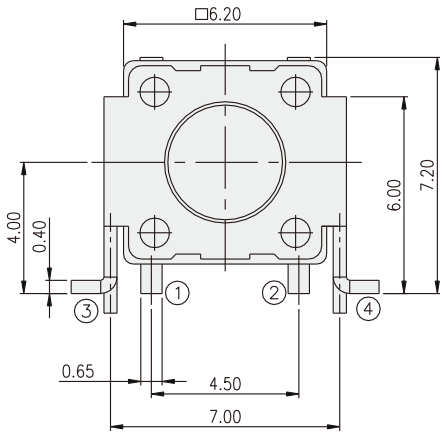
P.C.B. LAYOUT

DTSAM-6



PART NO.	H
DTSAM-61	3.60
DTSAM-62	4.30
DTSAM-63	6.30
DTSAM-644	7.30(SQ.2.40)
DTSAM-648	7.30(SQ.2.80)
DTSAM-65	8.80

TACT SWITCH



Mouser Electronics

Authorized Distributor

Click to View Pricing, Inventory, Delivery & Lifecycle Information:

Diptronics:

[DTSA-62Y-V](#) [DTSA-66R-V](#) [DTSA-62K-V](#) [DTSA-61K-V](#) [DTSA-644K-V](#) [DTSA-63R-V](#) [DTSA-61S-V](#) [DTSA-644R-V](#)
[DTSA-63Y-V](#) [DTSA-62R-V](#) [DTSA-644S-V](#) [DTSA-66Y-V](#) [DTSA-65R-V](#) [DTSA-65Y-V](#) [DTSA-62S-V](#) [DTSA-66K-V](#)
[DTSA-644Y-V](#) [DTSA-63K-V](#) [DTSA-65S-V](#) [DTSA-65K-V](#) [DTSA-66S-V](#) [DTSA-63S-V](#) [DTSA-61R-V](#) [DTSA-65N-V](#)
[DTSA-63N-V](#) [DTSA-61N-V](#) [DTSA-62N-V](#) [DTSA-66N-V](#) [DTSA-644N-V](#) [DTSA-61N-S-Q](#)