

Shield connection terminal block - SK 14 - 3025176

Please be informed that the data shown in this PDF Document is generated from our Online Catalog. Please find the complete data in the user's documentation. Our General Terms of Use for Downloads are valid (<http://phoenixcontact.com/download>)




Shield connection clamp, for shield on busbars, contact resistance < 1 mΩ

Why buy this product

- Easy handling
- Spring-loaded, large-surface pressure plate
- Suitable for direct and busbar mounting
- Knurled screw



Key Commercial Data

Packing unit	10 pc
Minimum order quantity	10 pc
GTIN	 4 017918 130305
Weight per Piece (excluding packing)	20.4 g
Custom tariff number	85369010
Country of origin	Germany

Technical data

General

Number of levels	1
Number of connections	1
Cable diameter	3 mm ... 14 mm
Color	silver

Dimensions

Length	19.5 mm
Width	17 mm
Height	59.30 mm

Connection data

Screw thread	M4
--------------	----

Shield connection terminal block - SK 14 - 3025176

Technical data

Connection data

Tightening torque max	0.8 Nm
Connection method	Screw connection

Classifications

eCl@ss

eCl@ss 4.0	27141131
eCl@ss 4.1	27141131
eCl@ss 5.0	27141131
eCl@ss 5.1	27141131
eCl@ss 6.0	27141150
eCl@ss 7.0	27141150
eCl@ss 8.0	27141150

ETIM

ETIM 2.0	EC000897
ETIM 3.0	EC000897
ETIM 4.0	EC002020
ETIM 5.0	EC002020

UNSPSC

UNSPSC 6.01	30211811
UNSPSC 7.0901	39121410
UNSPSC 11	39121410
UNSPSC 12.01	39121410
UNSPSC 13.2	39121410

Approvals

Approvals

Approvals

EAC

Ex Approvals

Approvals submitted

Approval details

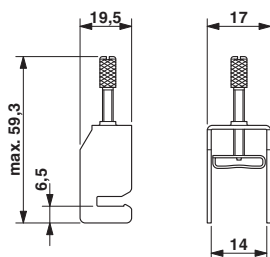
Shield connection terminal block - SK 14 - 3025176

Approvals

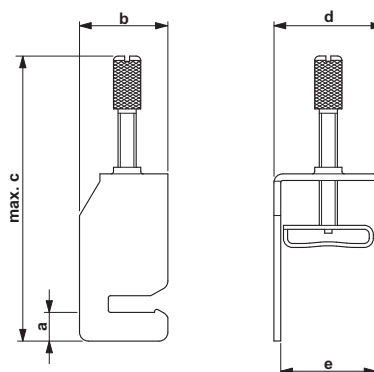
EAC

Drawings

Dimensional drawing



Dimensional drawing



Diagram

