



Series 805 Mighty Mouse Triple-Start ACME Thread Plug with Crimp Contacts

805-001 and 805-002 Ordering Information



Series 805 Plugs: feature two shell styles including and Integral platform for direct shield attachment using Band-Master™ ATS termination system or accessory thread for attaching a connector backshell for strain relief. EMI ground spring achieves low shell-to-shell resistance. This nickel-plated beryllium copper spring enables the Series 805 to meet greater than 60 dB

shielding effectiveness from 100 MHz to 15 GHz. Coupling features an anti-decoupling ratchet mechanism in the coupling nut that locks into radial teeth on the plug barrel. This feature allows the Series 805 to stay mated even when under high vibration, without the need for safety wire or torque tools. Crimp removable contacts

How To Order

Sample Part Number	805-001	-16	M	8-4	P	A									
Series (See Table I)	805-001 = Plug with Banding Platform 805-002 = Plug with Accessory Thread														
Shell Style	-16 = Plug Connector with Anti-Decoupling Mechanism														
Shell Material and Finish	C = Aluminum / Black Anodize (Non-Conductive); RoHS Compliant M = Aluminum / Electroless Nickel; RoHS Compliant MT = Aluminum / Nickel-PTFE RoHS Compliant NF = Aluminum / Cadmium with Olive Drab Chromate ZN = Aluminum / Zinc-Nickel with Olive Drab Chromate ZNU = Aluminum / Zinc-Nickel with Black Chromate Z1 = Stainless Steel / Passivated; RoHS Compliant														
Shell Size - Insert Arrangement	See Contact Arrangements Page H-2														
Contact Type	<table border="0"> <tr> <td>With contacts</td> <td>Without contacts</td> <td>With 30 AWG Crimp Barrel</td> </tr> <tr> <td>P = Pin</td> <td>A = Pin Connector, less contacts</td> <td>G = #23 Pin</td> </tr> <tr> <td>S = Socket</td> <td>B = Socket Connector, less contacts</td> <td>H = #23 Socket</td> </tr> </table> <p>Connectors ordered with contacts supplied do not come pre installed. Coaxial contacts and non-standard signal contacts are ordered separately.</p>						With contacts	Without contacts	With 30 AWG Crimp Barrel	P = Pin	A = Pin Connector, less contacts	G = #23 Pin	S = Socket	B = Socket Connector, less contacts	H = #23 Socket
With contacts	Without contacts	With 30 AWG Crimp Barrel													
P = Pin	A = Pin Connector, less contacts	G = #23 Pin													
S = Socket	B = Socket Connector, less contacts	H = #23 Socket													
Shell Key Positions (See Table II)	A = Normal B = Pos. B C = Pos. C D = Pos. D E = Pos. E F = Pos. F														

Table I: Series

805-001 Plug with Banding Platform	805-002 Plug with Accessory Thread

Table II: Key Positions

Key Position	Key Rotation	
	A	B
A (Normal)	150°	210°
B	75°	210°
C	95°	230°
D	140°	275°
E	75°	275°
F	95°	210°

Dimensions in Inches (millimeters) are subject to change without notice.

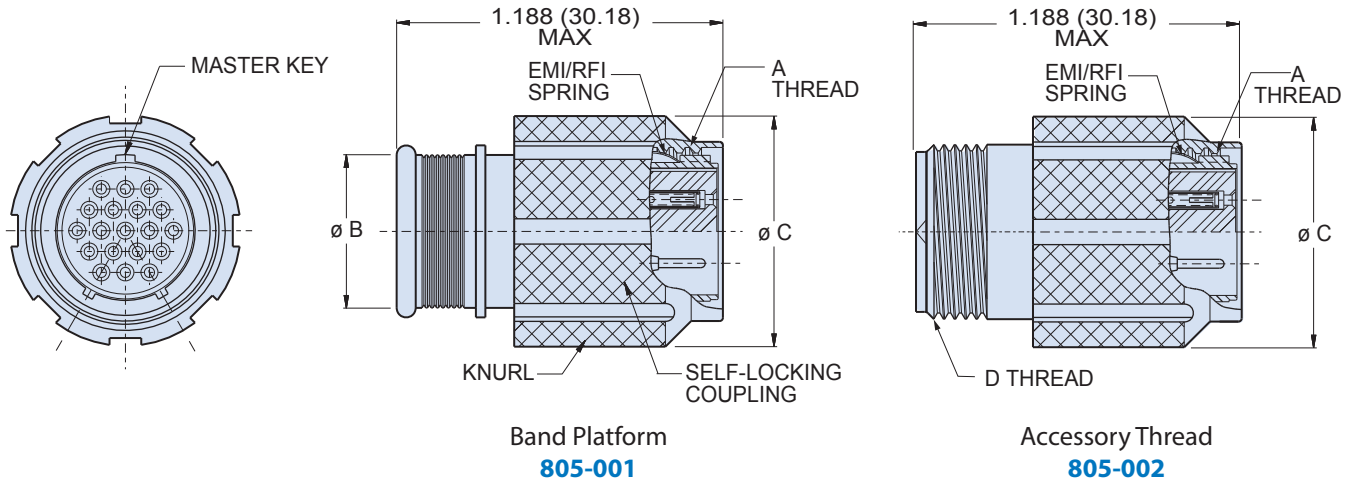
Series 805 Mighty Mouse Triple-Start ACME Thread Plug with Crimp Contacts

805-001 and 805-002 Dimensions



Series 805

Plug connector - Shell Style 16



Dimensions				
Shell Size	A Thread	Ø B	Ø C	D Thread Accessory
8	.5000-.1P-.3L-TS-2B	.317 (8.05)	.692 (17.58)	.3750-32 UNEF-2A
9	.5625-.1P-.3L-TS-2B	.397 (10.08)	.789 (20.04)	.4375-28 UNEF-2A
10	.6250-.1P-.3L-TS-2B	.473 (12.01)	.827 (21.01)	.5000-28 UNEF-2A
11	.6875-.1P-.3L-TS-2B	.519 (13.18)	.918 (23.32)	.5625-24 UNEF-2A
12	.7500-.1P-.3L-TS-2B	.585 (14.86)	.984 (24.99)	.6250-24 UNEF-2A
13	.8125-.1P-.3L-TS-2B	.646 (16.41)	1.047 (26.59)	.6875-24 UNEF-2A
15	.9375-.1P-.3L-TS-2B	.687 (17.45)	1.098 (27.89)	.7500-20 UNEF-2A
18	1.1250-.1P-.3L-TS-2B	.884 (22.45)	1.287 (32.69)	.9375-20 UNEF-2A
19	1.1875-.1P-.3L-TS-2B	.884 (22.45)	1.311 (33.30)	.9375-20 UNEF-2A
21	1.3125-.1P-.3L-TS-2B	1.003 (25.48)	1.448 (36.78)	1.0625-18 UNEF-2A
23	1.4375-.1P-.3L-TS-2B	1.135 (28.83)	1.562 (39.67)	1.1875-18 UNEF-2A

NOTES

- Contacts are crimp type and are used in a rear release retention system.
- This connector mates with all quick coupling high density receptacle connectors with same polarization and opposite contact gender (805-003, 805-004, 805-005, and 805-006).
- Connectors supplied with standard crimp contacts. For coax or other special contacts, order connector less contacts (contact style A or B) and order contacts separately.
- For additional insert arrangements consult factory.
- Materials and Finishes
 - Plug barrel, coupling nut: aluminum or stainless steel
 - Insulator: high-grade rigid dielectric
 - Interfacial seal, grommet: fluorosilicone/N.A.
 - Contact: copper alloy, gold over nickel plating
 - Class 1.25, (.000050 minimum thickness) over a suitable underplate
 - Contact Retainer Clip: Beryllium Copper, Unplated

Dimensions in Inches (millimeters) are subject to change without notice.

© 2014 Glenair, Inc.

Series 80 Mighty Mouse

U.S. CAGE Code 06324

Printed in U.S.A.

GLENAIR, INC. • 1211 AIR WAY • GLENDALE, CA 91201-2497 • 818-247-6000 • FAX 818-500-9912
www.glenair.com H-11 E-Mail: sales@glenair.com

Rev. 07.09.20

