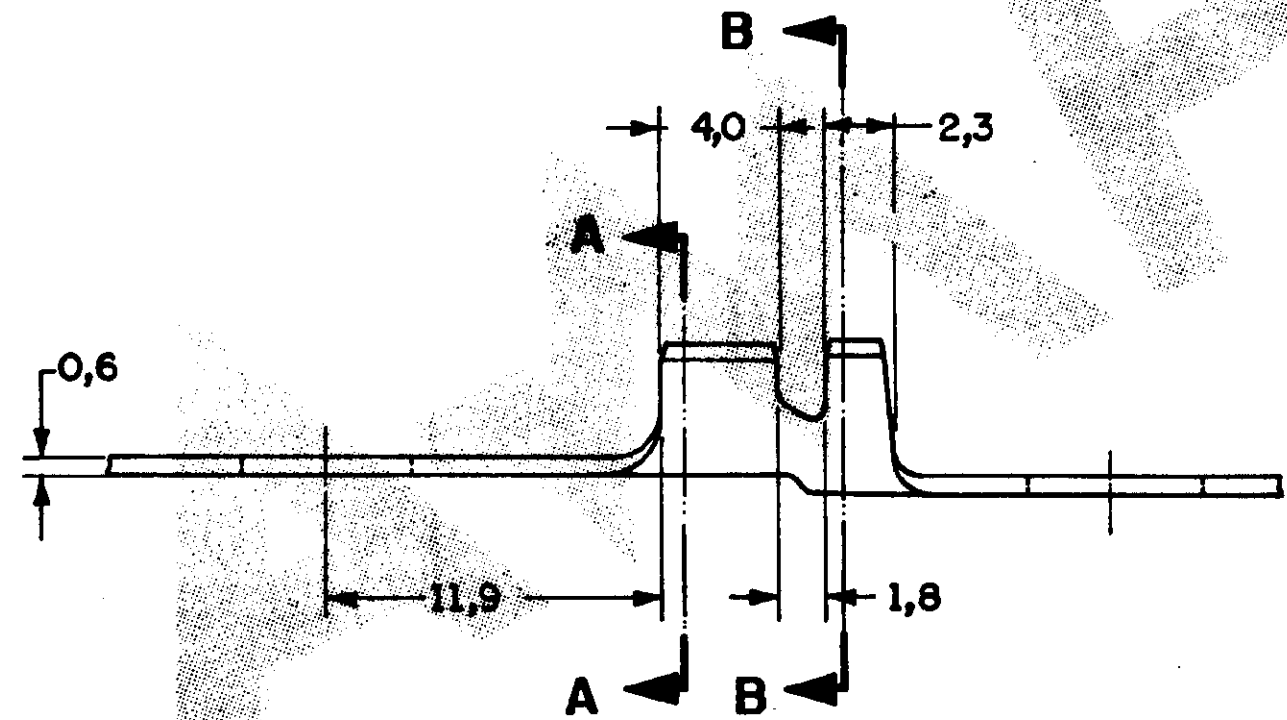
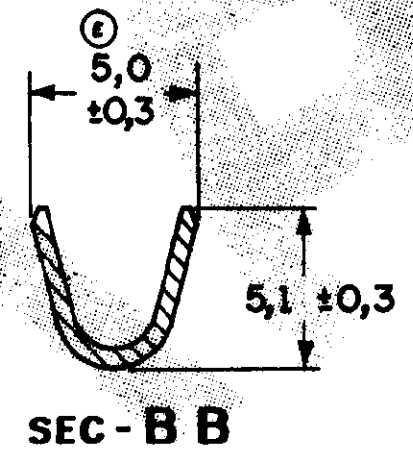
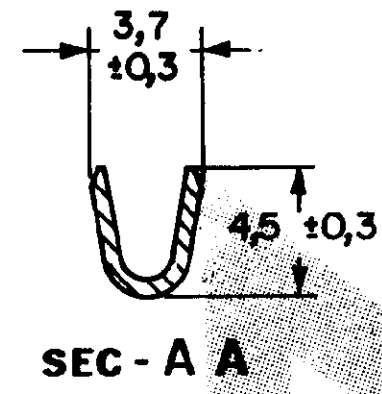
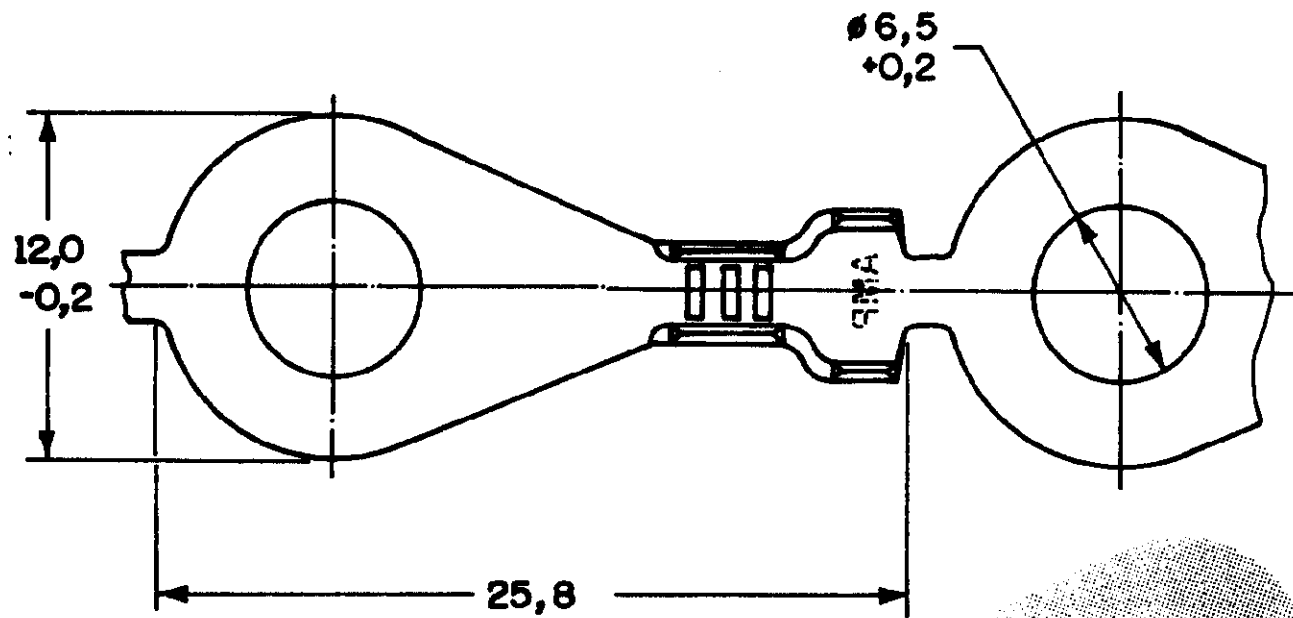


C626034

DO NOT SCALE
DIMENSIONS IN

METRIC



OTHER TREATMENT	FINISH	MATERIAL	PART NUMBER
	ESTANHADO	PHOSPHOR BRONZE	626034-4
		PHOSPHOR BRONZE	626034-3
	ESTANHADO	LATÃO	626034-2
		LATÃO	626034-1

CUSTOMER DWG for REFERENCE ONLY				THIS DRAWING IS UNPUBLISHED RELEASED FOR PUBLICATION					
				© COPYRIGHT IS BY AMP DO BRASIL LTDA S.P. ALL INTERNATIONAL RIGHTS RESERVED AMP PRODUCTS MAY BE COVERED BY U.S. AND FOREIGN PATENTS AND/OR PATENTS PENDING.					
				TOLERANCES UNLESS OTHERWISE STATED		IND. DIA. RANGE	WIRE RANGE	SCALE	
				SEC. ± 0,3		2,2-3,8mm	1,0-2,5 mm ²	4:1	
				DR. M.R. Briz 07-Jan-92 C/N. <i>[Signature]</i> 08-01-92 DE <i>[Signature]</i> 8-1-92					
				AMP AMP do BRASIL LTDA. São Paulo, Brasil					
				DESCRIPTION RING TONGUE					
				A3		DWG NO C626034			
						SHEET 10/1			

REVISION	RECORD	DR	CHK	DATE