

Customer Information Sheet

DRAWING No.: S70-22010X045R

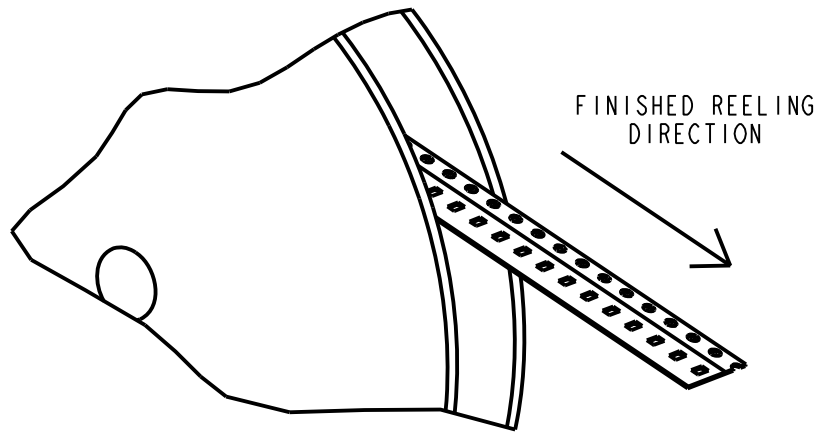
IF IN DOUBT - ASK

©

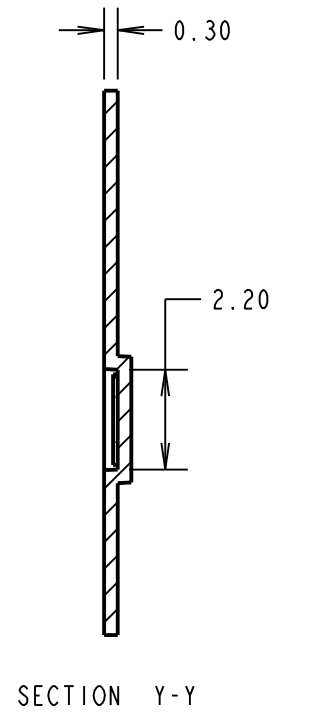
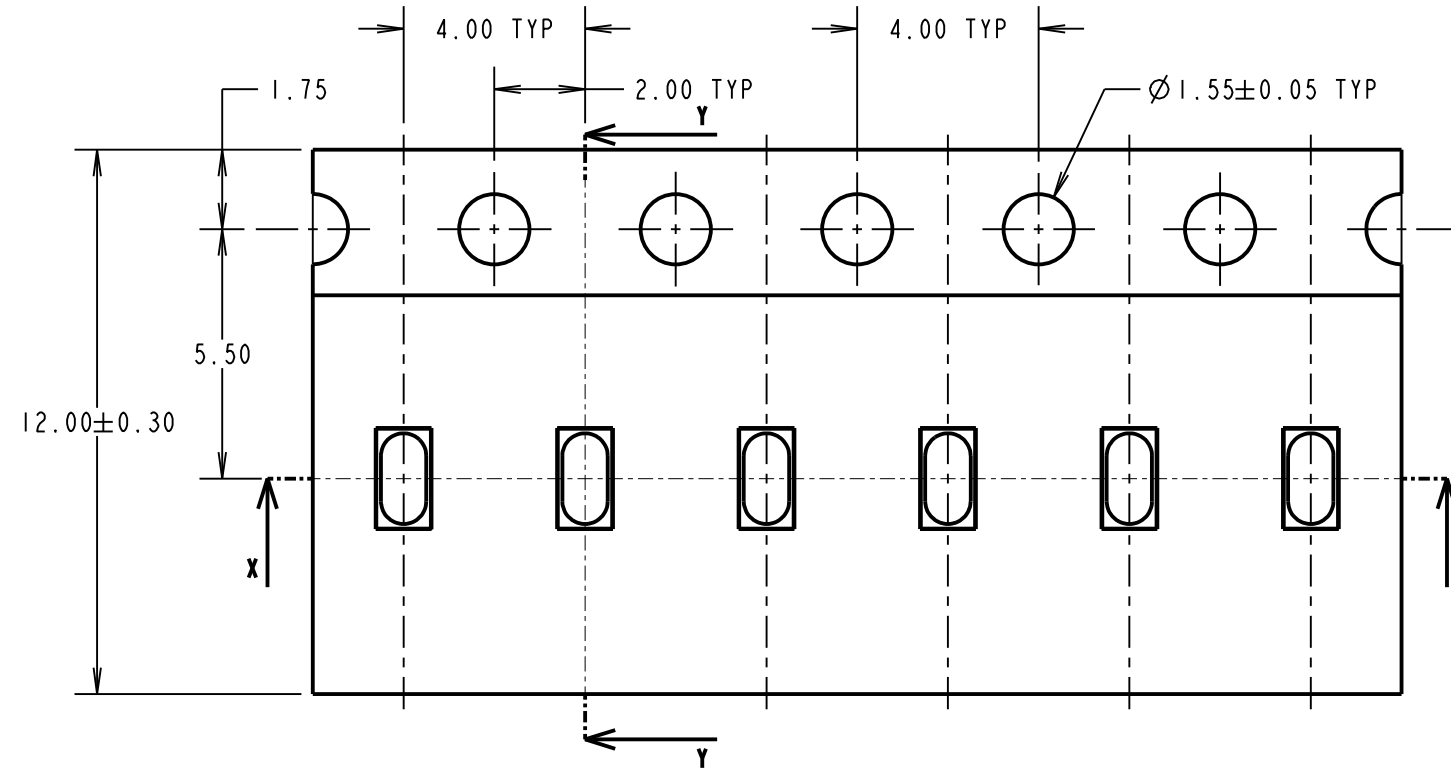
NOT TO SCALE

THIRD ANGLE PROJECTION

ALL DIMENSIONS IN mm

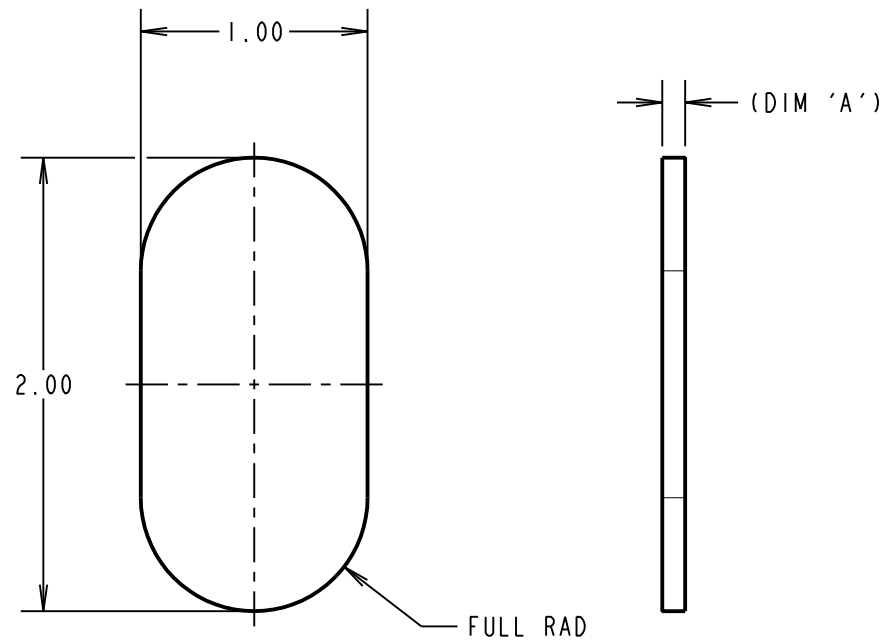


COMPONENT DETAILS

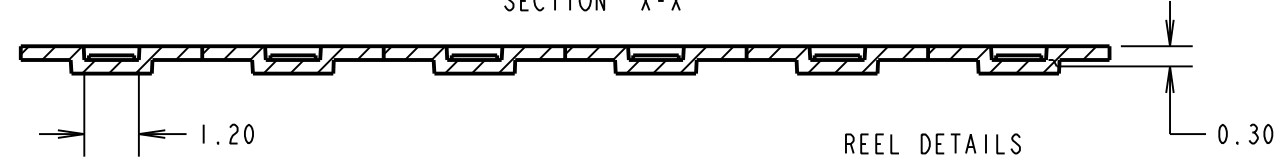


SECTION X-X

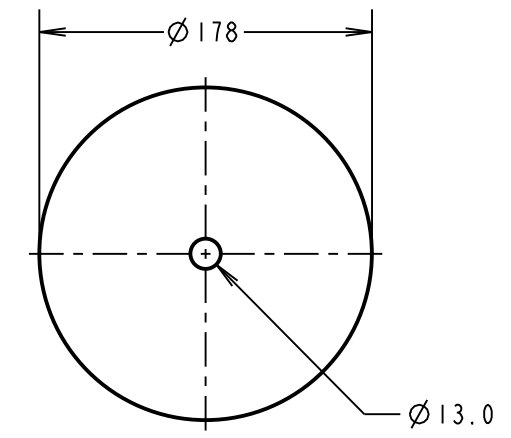
SECTION Y-Y



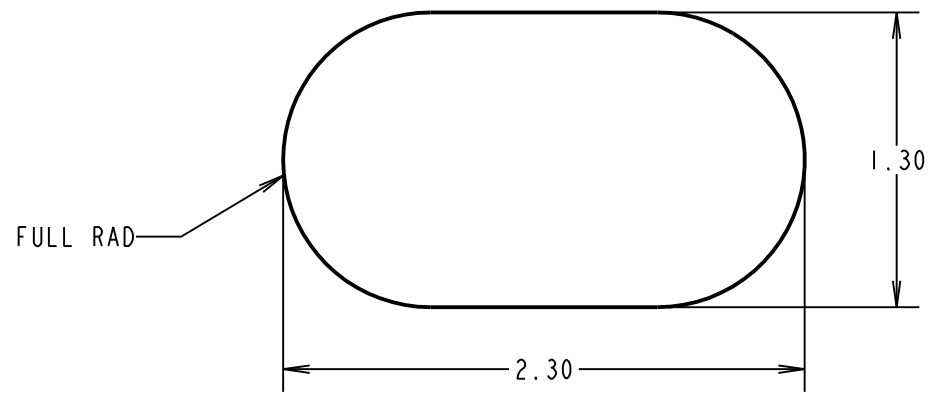
| PART | DIM 'A' |
|----------------|-------------|
| S70-220101045R | 0.10 ± 0.05 |
| S70-220102045R | 0.20 ± 0.05 |



REEL DETAILS



RECOMENDED PCB LAYOUT
ALL TOLERANCES ±0.05



ORDER CODE:
S70-22010XX45R

SIZE:
LENGTH _____
WIDTH _____
DIM 'A' = THICKNESS _____

SPECIFICATIONS:

FINISH:
0.025 - 0.075µm GOLD OVER 1.50 - 3.0µm NICKEL

ELECTRICAL:
CURRENT RATING = 6.0A
CONTACT RESISTANCE = 0.15mΩ

ENVIRONMENTAL:
OPERATING TEMPERATURE = -40°C TO +180°C

NOTES:

1. QUANTITY OF COMPONENTS PER REEL = 9000.
2. PRODUCT IS TAPE AND REELED IN GENERAL ACCORDANCE WITH EIA-481 (ELECTRONIC INDUSTRIES ASSOCIATION).

| RA | ISS. | DATE | C/NOTE |
|----------------|------|-------------|--------|
| 5 | | 20.02.20 | 22028 |
| APPROVED: | | R.ALEXANDER | |
| CHECKED: | | R.PORTLOCK | |
| DRAWN: | | M.PERREN | |
| CUSTOMER REF.: | | | |
| ASSEMBLY DRG: | | | |

HARWIN

www.harwin.com
technical@harwin.com

THIS DRAWING AND ANY INFORMATION OR DESCRIPTIVE MATTER SET OUT HEREON ARE CONFIDENTIAL AND COPYRIGHT PROPERTY OF THE HARWIN GROUP AND MUST NOT BE DISCLOSED, LOANED, COPIED OR USED FOR MANUFACTURING, TENDERING OR FOR ANY OTHER PURPOSE WITHOUT THEIR WRITTEN PERMISSION.

TOLERANCES
X. = ±1mm
X.X = ±0.50mm
X.XX = ±0.20mm
X.XXX = ±0.01mm
ANGLES = ±5°
UNLESS STATED

MATERIAL:
BERYLLIUM COPPER

FINISH: SEE ABOVE

S/AREA: mm²

TITLE:
SMT POGO PIN CONTACT PAD

DRAWING NUMBER:
S70-22010XX45R

SHT 2 OF 2

Mouser Electronics

Authorized Distributor

Click to View Pricing, Inventory, Delivery & Lifecycle Information:

Harwin:

[S70-220102045R](#) [S70-220101045R](#)