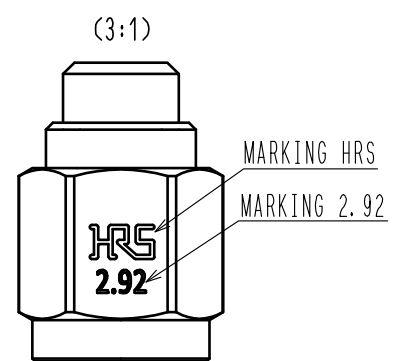
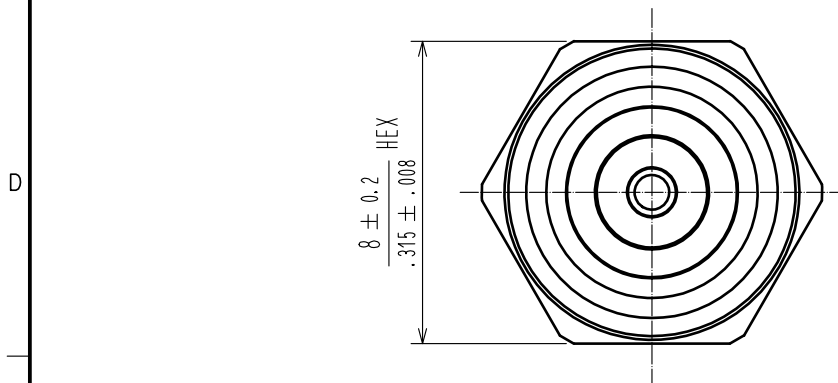
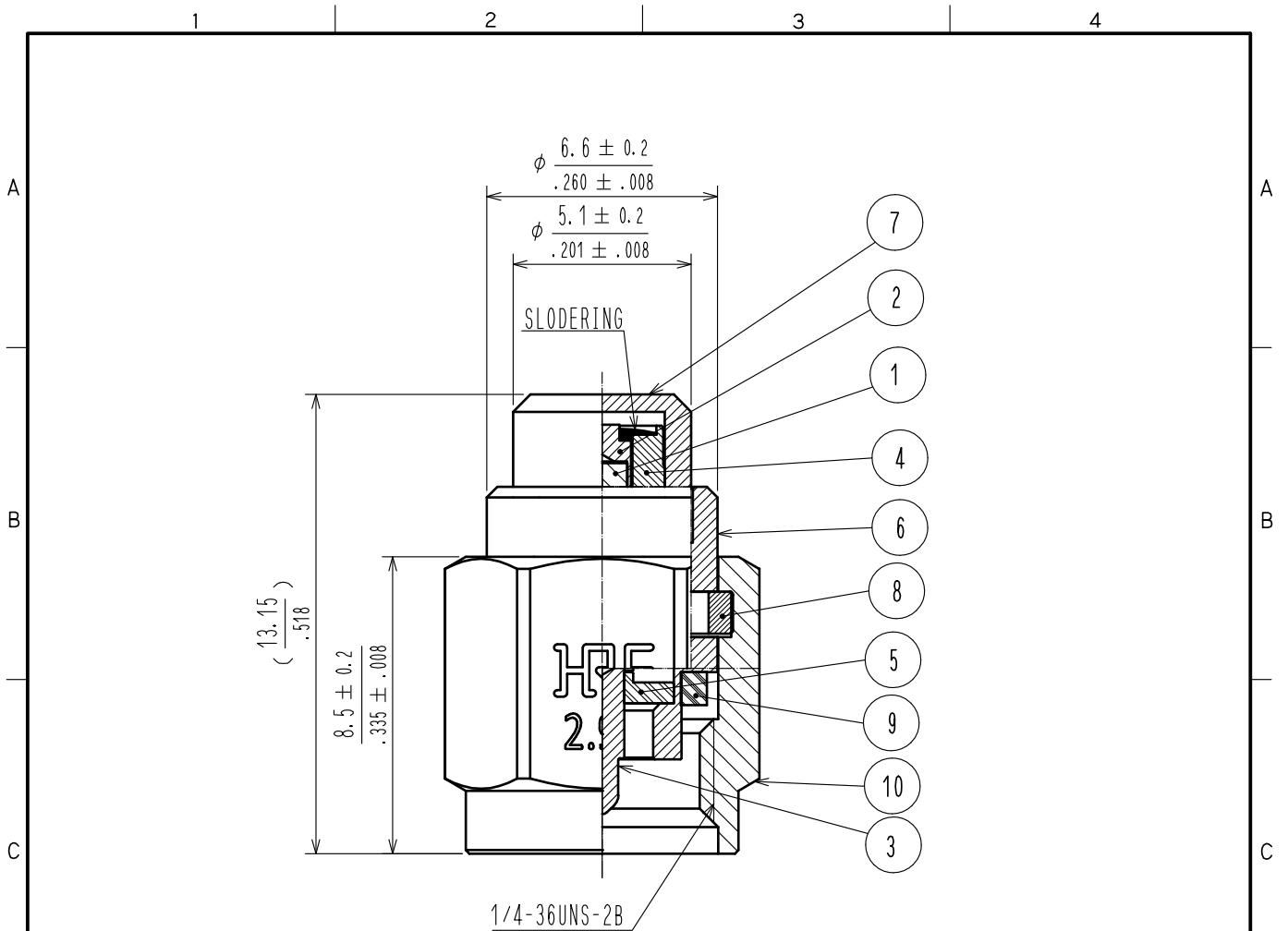


APPLICABLE STANDARD		MIL-STD-348B					
RATING	OPERATING TEMPERATURE RANGE	-40°C TO +85°C(95%RH MAX)	STORAGE TEMPERATURE RANGE	-40°C TO +85°C(95%RH MAX)			
	POWER	0.5 W (at 75°C)	CHARACTERISTIC IMPEDANCE	50 Ω (DC TO 40 GHz)			
	PECULIARITY	—	APPLICABLE CABLE	—			
SPECIFICATIONS							
ITEM		TEST METHOD		REQUIREMENTS	QT	AT	
CONSTRUCTION							
GENERAL EXAMINATION		VISUALLY AND BY MEASURING INSTRUMENT.		ACCORDING TO DRAWING.	X	X	
MARKING		CONFIRMED VISUALLY.			X	X	
ELECTRIC CHARACTERISTICS							
CONTACT RESISTANCE		mA MAX (DC OR 1000 Hz).		CENTER CONTACT	mΩ MAX.	—	—
				OUTER CONTACT	mΩ MAX.	—	—
INSULATION RESISTANCE		V DC.			MΩ MIN.	—	—
VOLTAGE PROOF		V AC FOR 1 min.CURRENT LEAKAGE 2mA MAX.		NO FLASHOVER OR BREAKDOWN.		—	—
VSWR		FREQUENCY DC TO 40 GHz.		VSWR <1.1 : DC TO 10 GHz			
				<1.15 : 10 TO 20 GHz			
				<1.18 : 20 TO 35 GHz		X	X
				<1.28 : 35 TO 40 GHz			
RESISTANCE VALUE		MEASURE THE RESISTANCE VALUE AT DC1V		48.5 TO 51.5 Ω		X	X
MECHANICAL CHARACTERISTICS							
CONTACT INSERTION AND EXTRACTION FORCES		BY STEEL GAUGE.		INSERTION FORCE	N MAX.	—	—
				EXTRACTION FORCE	NMIN	—	—
INSERTION AND WITHDRAWAL FORCES		MEASURED BY APPLICABLE CONNECTOR. [APPLICABLE CONNECTOR :]		INSERTION FORCE	N MAX.	—	—
				EXTRACTION FORCE	N MAX.	—	—
MECHANICAL OPERATION		500 TIMES INSERTIONS AND EXTRACTIONS. [APPLICABLE CONNECTOR : HK-A-JJ]		1) VSWR CHARACTERISTIC SHALL BE MET. 2) NO DAMAGE, CRACK AND LOOSENESS OF PARTS.		X	—
VIBRATION		FREQUENCY 10 TO 500 Hz SINGLE AMPLITUDE 0.75 mm, 98 m/s ² AT 10 CYCLES FOR 3 DIRECTIONS.		1) VSWR CHARACTERISTIC SHALL BE MET. 2) NO DAMAGE, CRACK AND LOOSENESS OF PARTS.		X	—
SHOCK		490 m/s ² DIRECTIONS OF PULSE 11 ms AT 3 TIMES FOR 3 DIRECTIONS.				X	—
CABLE CLAMP ROBUSTNESS (AGAINST CABLE PULL)		APPLYING A PULL FORCE THE CABLE AXIALLY AT N MAX.		1) NO WITHDRAWAL AND BREAKAGE OF CABLE. 2) NO BREAKAGE OF CLAMP.		—	—
ENVIRONMENTAL CHARACTERISTICS							
DAMP HEAT		EXPOSED AT +40 °C, 90~95 % FOR 96 h		1) VSWR CHARACTERISTIC SHALL BE MET. 2) NO DAMAGE, CRACK AND LOOSENESS OF PARTS.		X	—
RAPID CHANGE OF TEMPERATURE		TEMPERATURE -55 → — → +85 → — °C TIME 30 → 3 → 30 → 3 min. UNDER 5 CYCLES.		1) VSWR CHARACTERISTIC SHALL BE MET. 2) NO DAMAGE, CRACK AND LOOSENESS OF PARTS.		X	—
CORROSION SALT MIST		EXPOSED IN 5 % SALT WATER SPRAY FOR 48 h.		VSWR CHARACTERISTIC SHALL BE MET.		X	—
	COUNT	DESCRIPTION OF REVISIONS	DESIGNED	CHECKED	DATE		
	4	DIS-D-00002410	AH. MARUYAMA	TS. NOBE	17. 09. 04		
REMARK RoHS COMPLIANT				APPROVED	KH. IKEDA	17. 08. 04	
				CHECKED	TS. NOBE	17. 08. 04	
				DESIGNED	AH. MARUYAMA	17. 08. 04	
Unless otherwise specified, refer to IEC 60512.				DRAWN	AH. MARUYAMA	17. 08. 04	
Note QT:Qualification Test AT:Assurance Test X:Applicable Test			DRAWING NO.		ELC-374634-00-00		
	SPECIFICATION SHEET		PART NO.	HK-TMP			
	HIROSE ELECTRIC CO., LTD.		CODE NO.	CL353-0014-0-00		1/1	



RoHS COMPLIANT

5	PTFE		10	STAINLESS STEEL	PASSIVATE
4	BRASS	GOLD PLATING	9	SILICONE RUBBER	
3	BRASS	GOLD PLATING	8	BERYLLIUM COPPER	NICKEL PLATING
2	BRASS	GOLD PLATING	7	BRASS	NICKEL PLATING
1	RESISTANCE	50Ω	6	STAINLESS STEEL	PASSIVATE
NO.	MATERIAL	FINISH . REMARKS	NO.	MATERIAL	FINISH . REMARKS

UNITS mm		SCALE 5 : 1	COUNT 	DESCRIPTION OF REVISIONS	DESIGNED	CHECKED	DATE
HIROSE ELECTRIC CO., LTD.				APPROVED : KH. IKEDA 17.08.04	DRAWING NO. EDC-374634-00-00		
				CHECKED : TS. NOBE 17.08.04	PART NO. HK-TMP		
				DESIGNED : AH. MARUYAMA 17.08.04	CODE NO. CL353-0014-0-00		
				DRAWN : AH. MARUYAMA 17.08.04	1/1		

Mouser Electronics

Authorized Distributor

Click to View Pricing, Inventory, Delivery & Lifecycle Information:

[Hirose Electric:](#)

[HK-TMP](#)