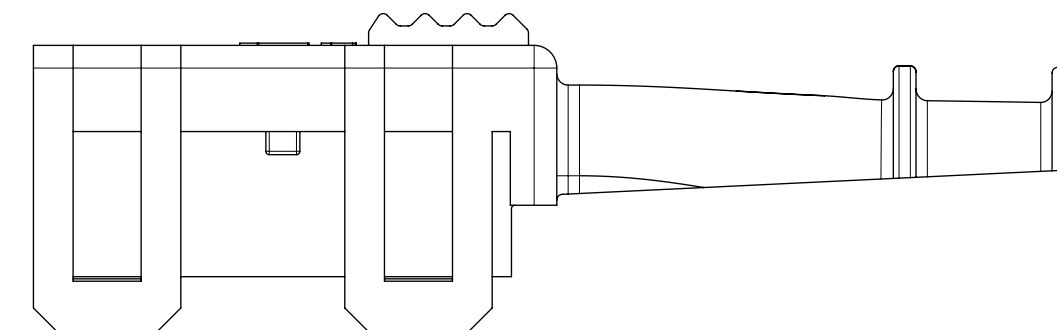
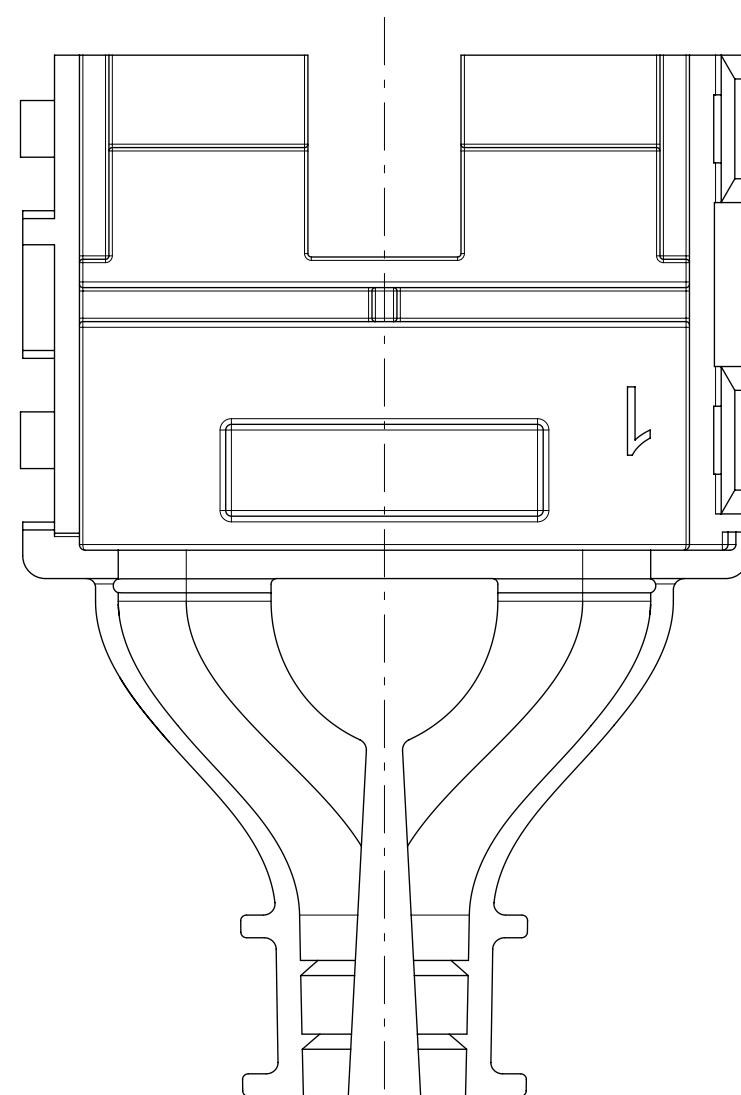
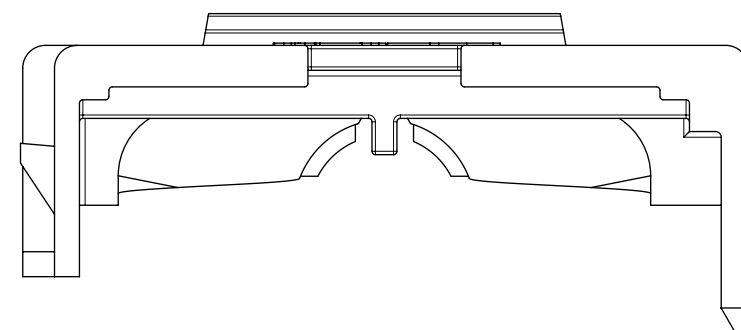
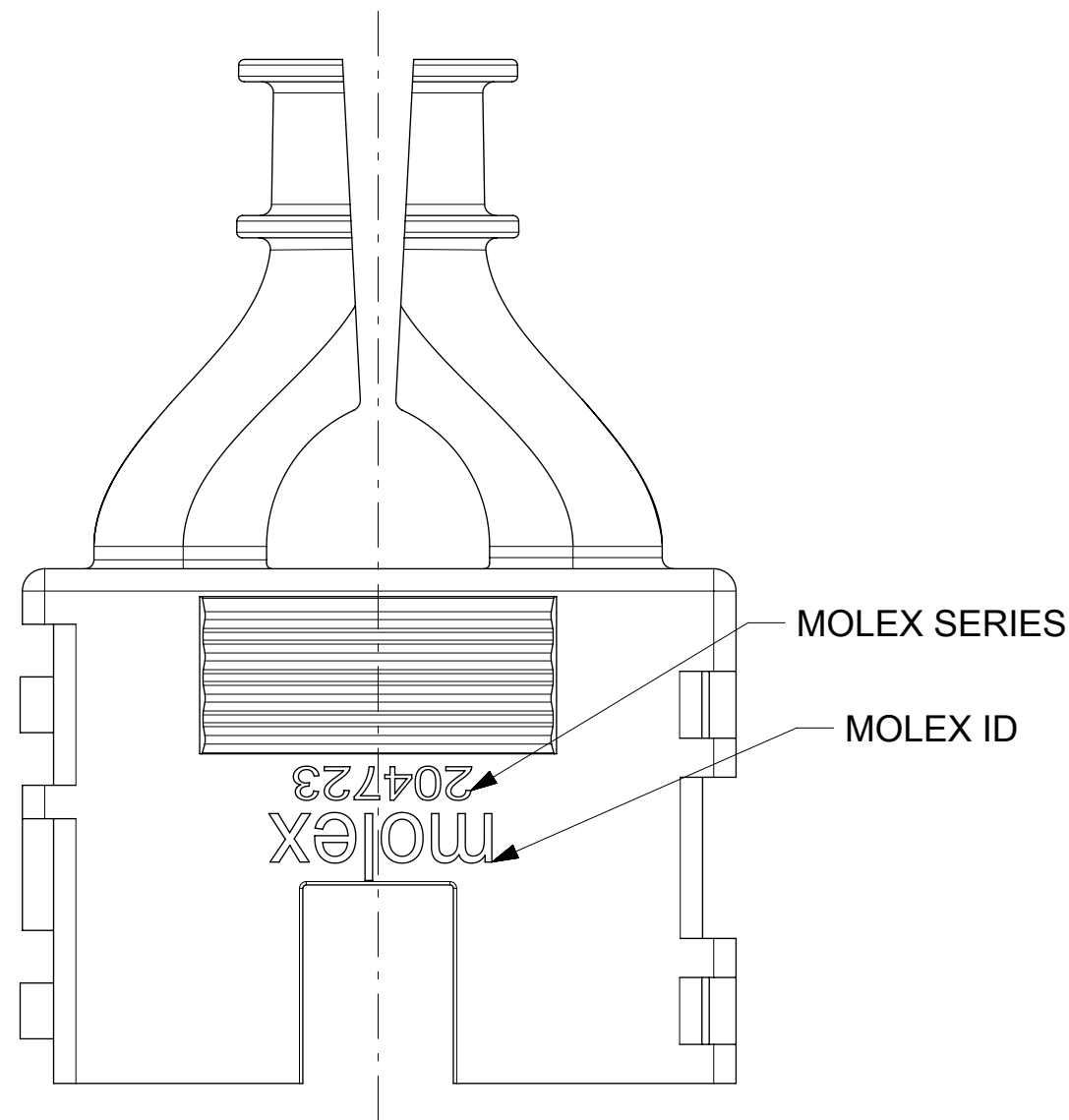


ISOMETRIC VIEW FOR 12 CKT



**NOTES:**

1. MATERIAL:  
 '0' = NYLON V-O LOW HALOGEN; COLOR: BLACK  
 '1' = NYLON V-2 GLOW WIRE CAPABLE; COLOR: BLACK
2. FINISH: NONE
3. PRODUCT SPECIFICATION: 2047230001-PS  
 APPLICATION SPECIFICATION: 2047230000-AS
4. PACKAGING SPECIFICATION: 2047230001-PK  
 REFER TO AS-45499-001 FOR MOISTURIZING NYLON CONNECTOR PARTS.
5. THIS BACKSHELL TO BE USED WITH RECEPTACLE SERIES 5557 AND  
 PLUG HOUSING SERIES 5559.
6. THIS PART CONFORMS TO CLASS 'B' REQUIREMENTS OF COSMETIC  
 SPECIFICATION PS-45499-002.
7. FOR "1" MATERIAL USE CLASS C GATE BLIMISH SPEC.
8. 204723-0012 SHOWN. SEE SHEET 2 FOR OTHER PART NUMBERS.
9. 14 TO 24 CKT ARE NOT TOOLED

## PART LEGEND

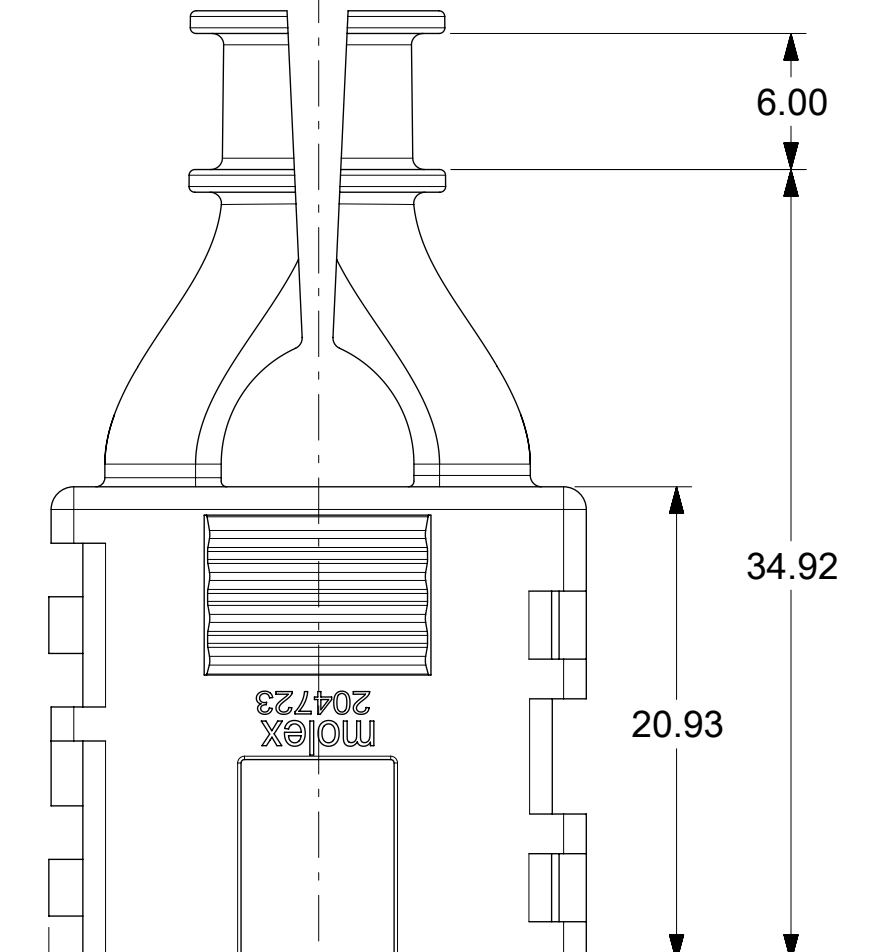
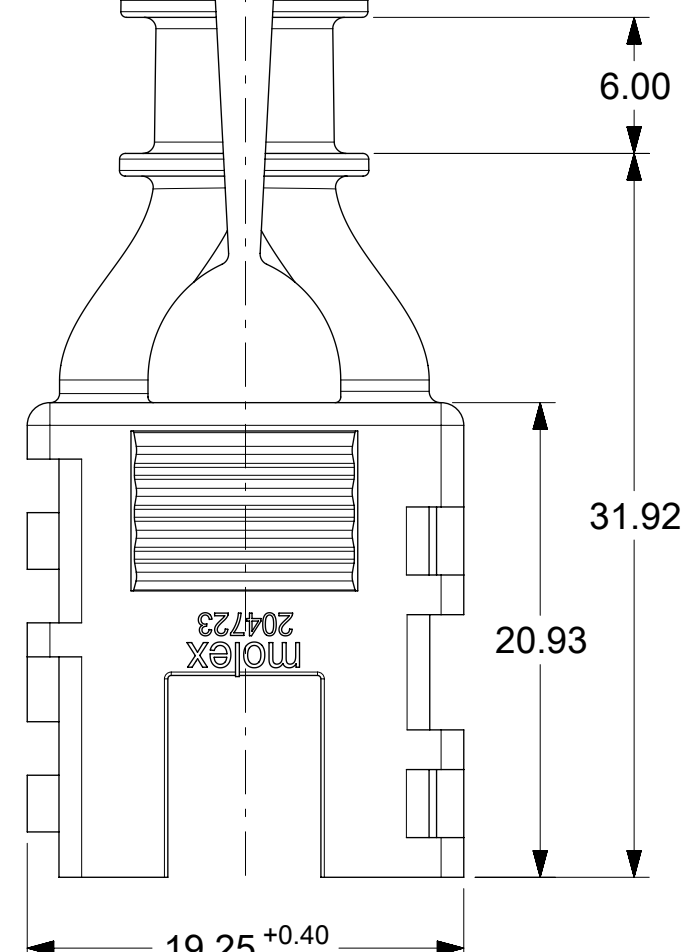
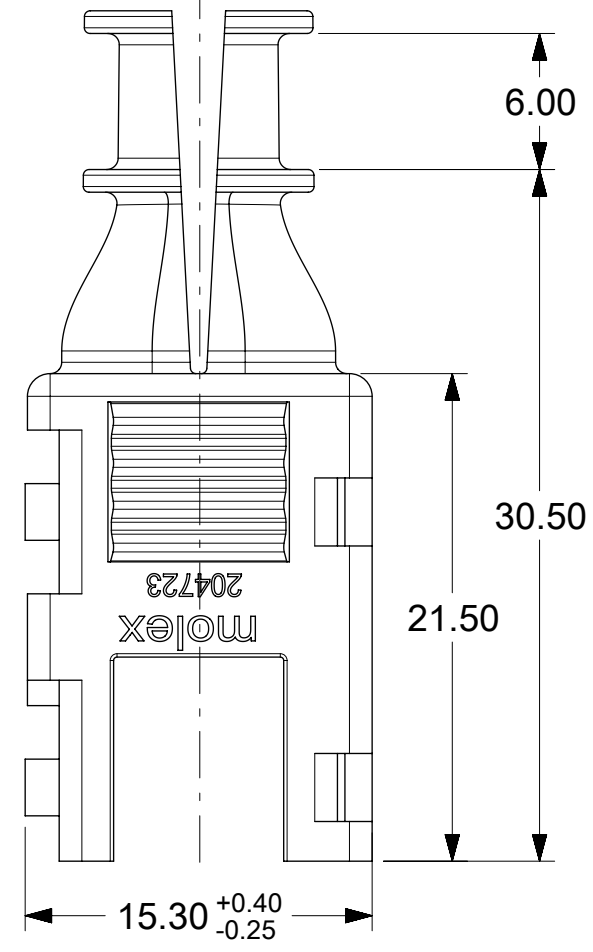
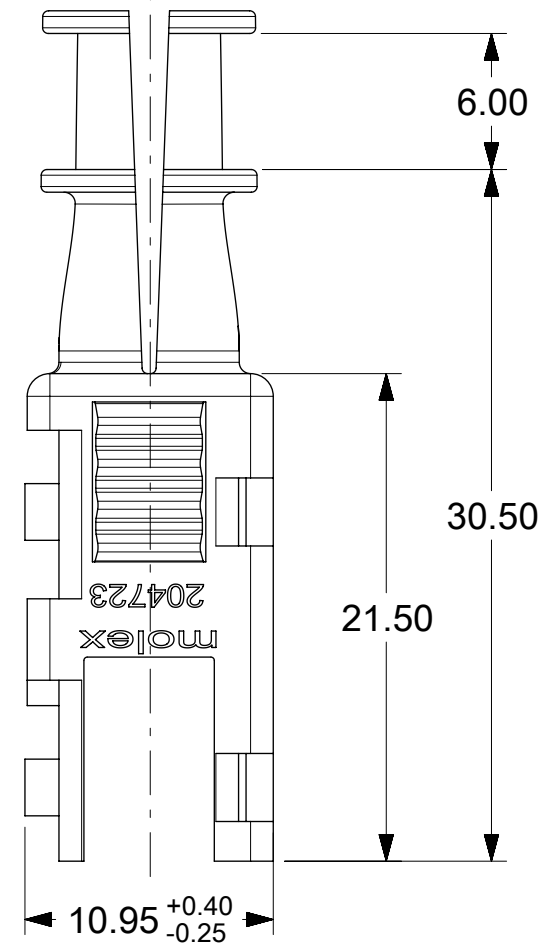
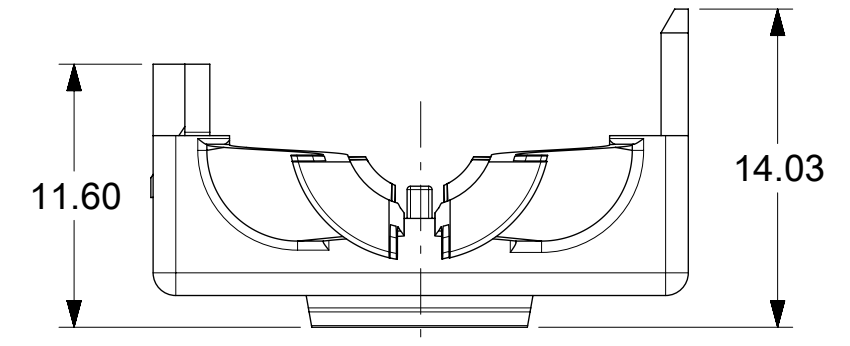
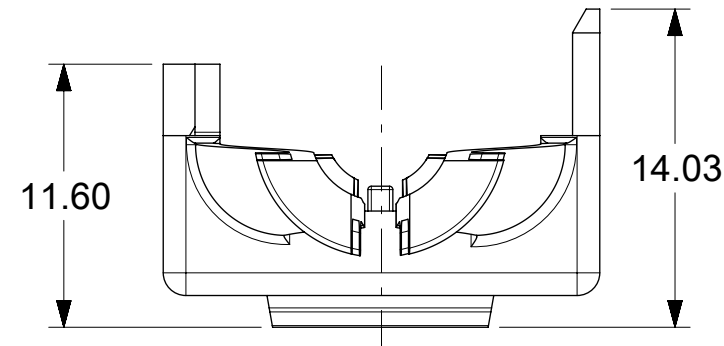
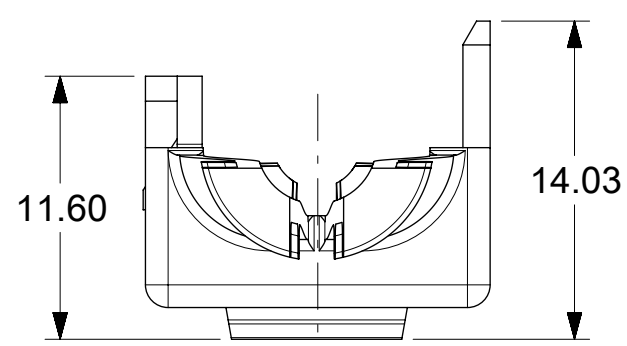
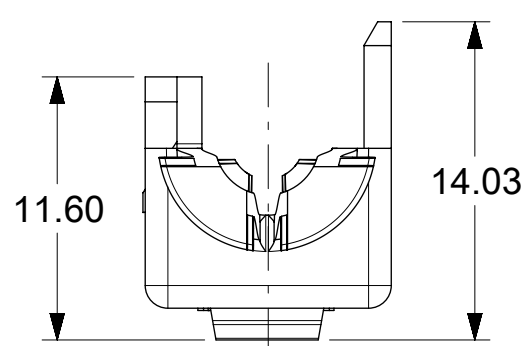
**204723 - 0 \* \* \***

PART SERIES

MATERIAL (SEE NOTE 1)

NUMBER OF CKTS (SEE NEXT SHEET)

QUALITY SYMBOLS ▽ = 0 ▽ = 0 ▽ = 0 ▽ = 0 ▽ = 0 ▽ = 0 ▽ = 0 ▽ = 0 ▽ = 0	THIS DRAWING CONTAINS INFORMATION THAT IS PROPRIETARY TO MOLEX ELECTRONIC TECHNOLOGIES, LLC AND SHOULD NOT BE USED WITHOUT WRITTEN PERMISSION									
	EC NO: 603635 DRWN: GJEEVANSURES CHKD: SCS02 REV: APPR: ISHWARG	2018/08/29 2018/08/29 2018/08/29	GENERAL TOLERANCES (UNLESS SPECIFIED) ANGULAR TOL ± 0.5 ° 4 PLACES ± 3 PLACES ± 2 PLACES ± 0.25 1 PLACE ± 0.4 0 PLACES ± DRAFT WHERE APPLICABLE MUST REMAIN WITHIN DIMENSIONS	DIMENSION UNITS: mm SCALE: 3:1 DRWN BY: SNAGARAVENKA DATE: 2017/06/07 CHK'D BY: DATE: APPR BY: KPRASAD DATE: 2017/08/18	<b>molex</b> MINIFIT BACKSHELL DUAL ROW 2 TO 24CKT		PRODUCT CUSTOMER DRAWING SERIES: 204723 MATERIAL NUMBER: 2047230000-SD CUSTOMER:			
A5	C	THIRD ANGLE PROJECTION	DOCUMENT NUMBER: 2047230000-SD PSD	DOC TYPE: 000	DOC PART: 1 OF 3	SHEET NUMBER: 1 OF 3				

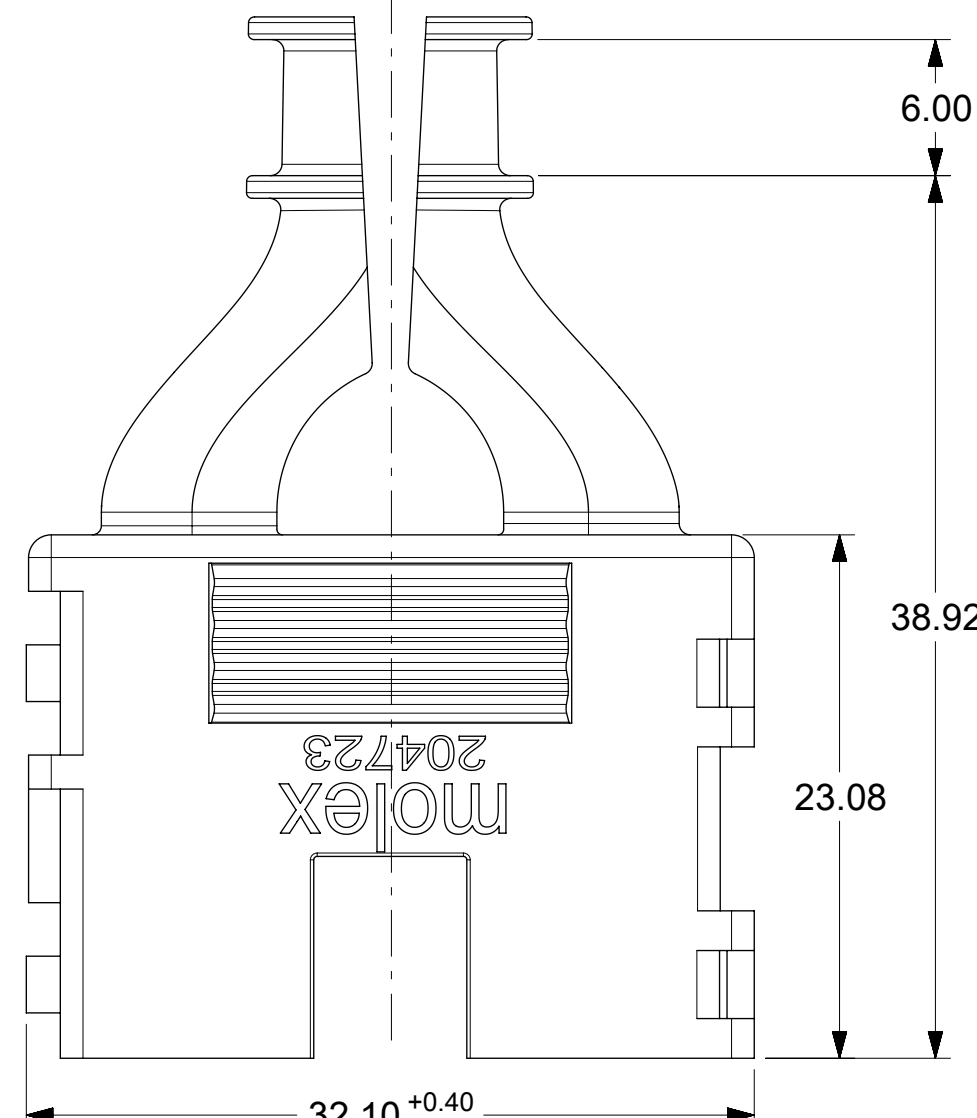
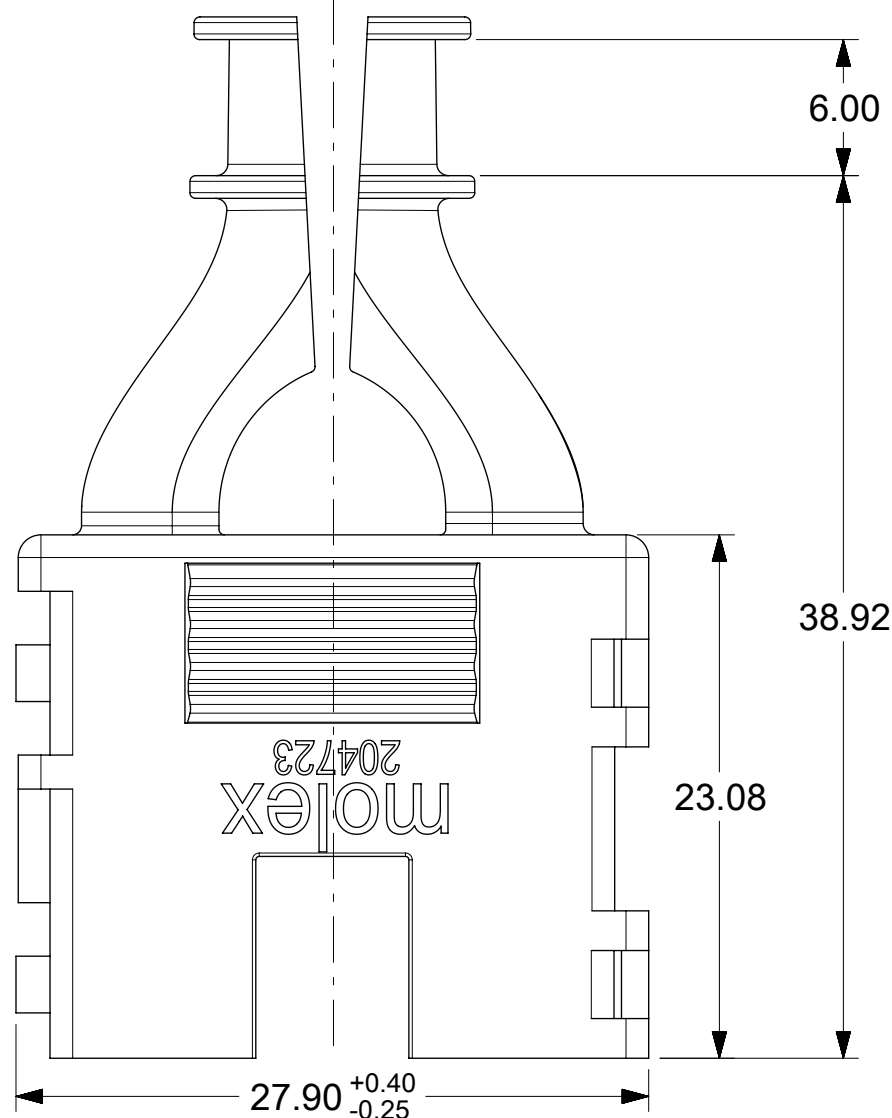
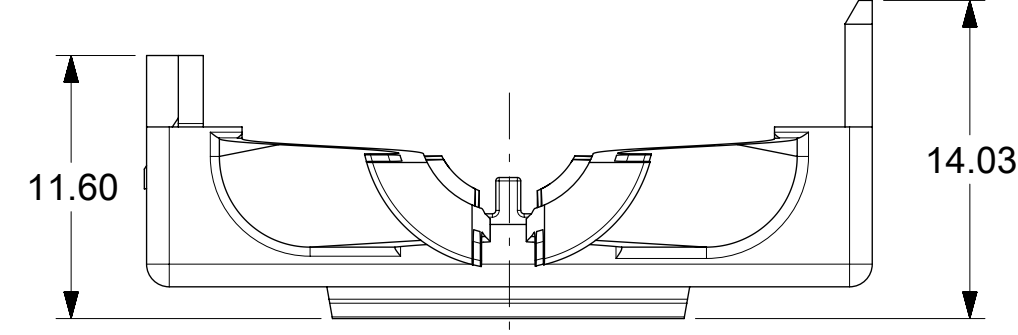
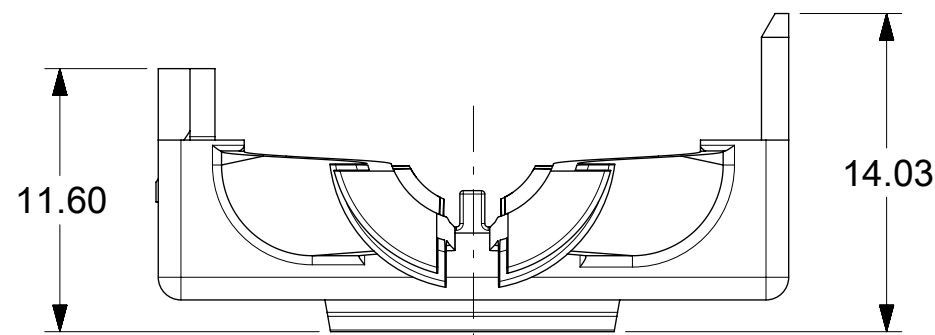


2047230\*02

2047230\*04

2047230\*06

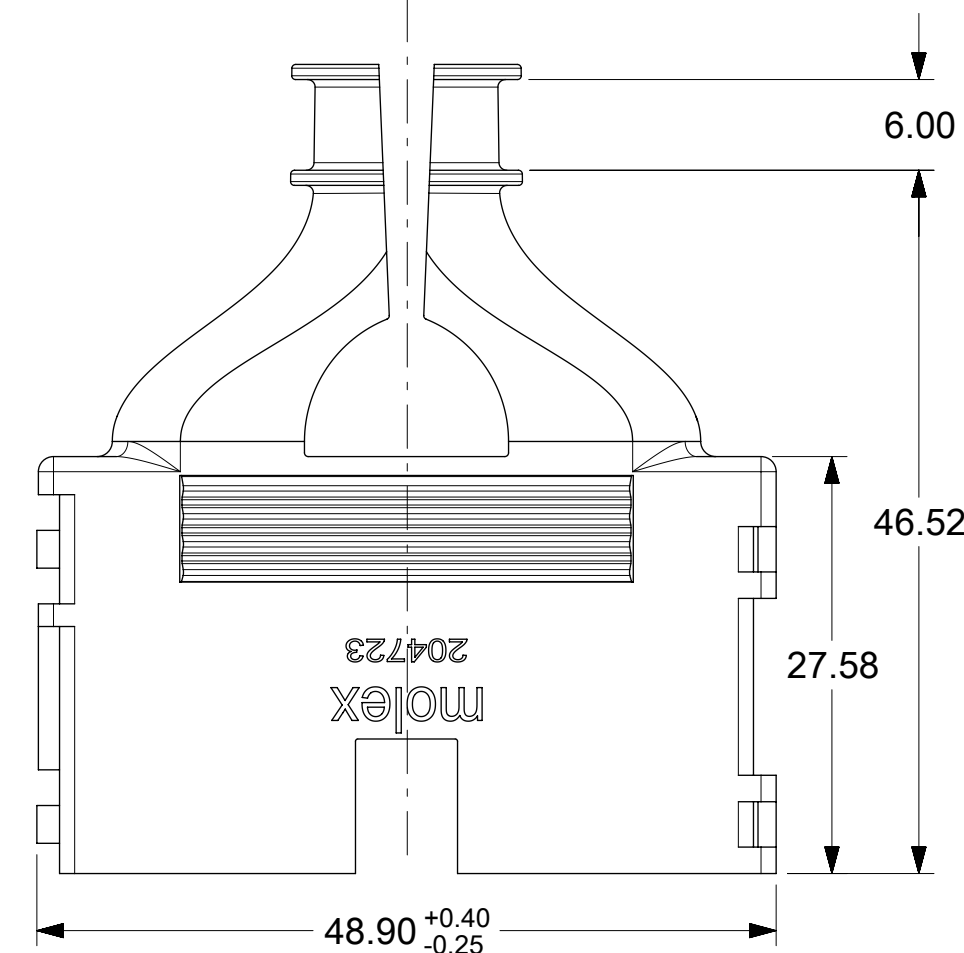
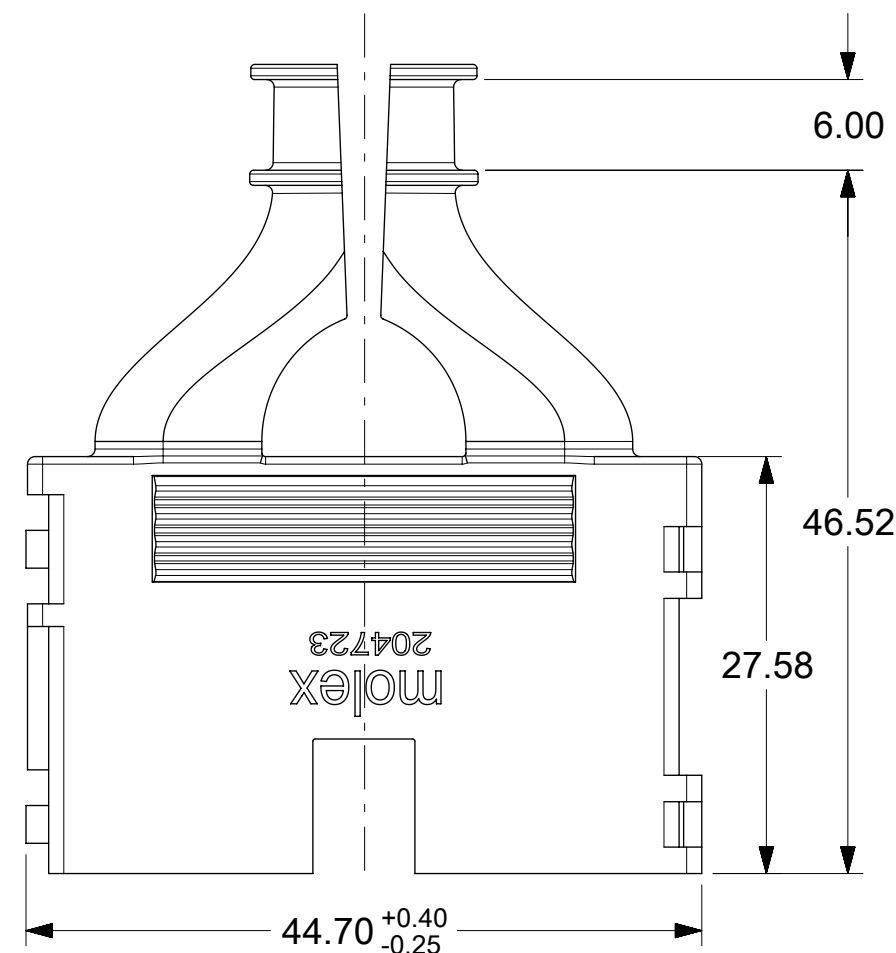
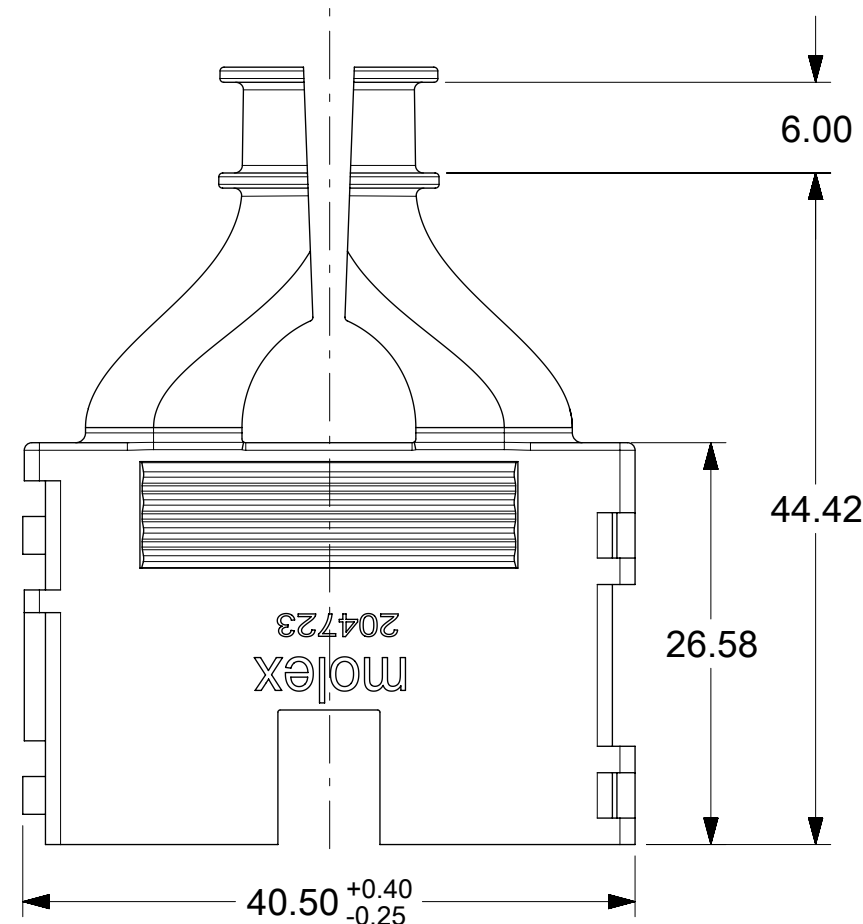
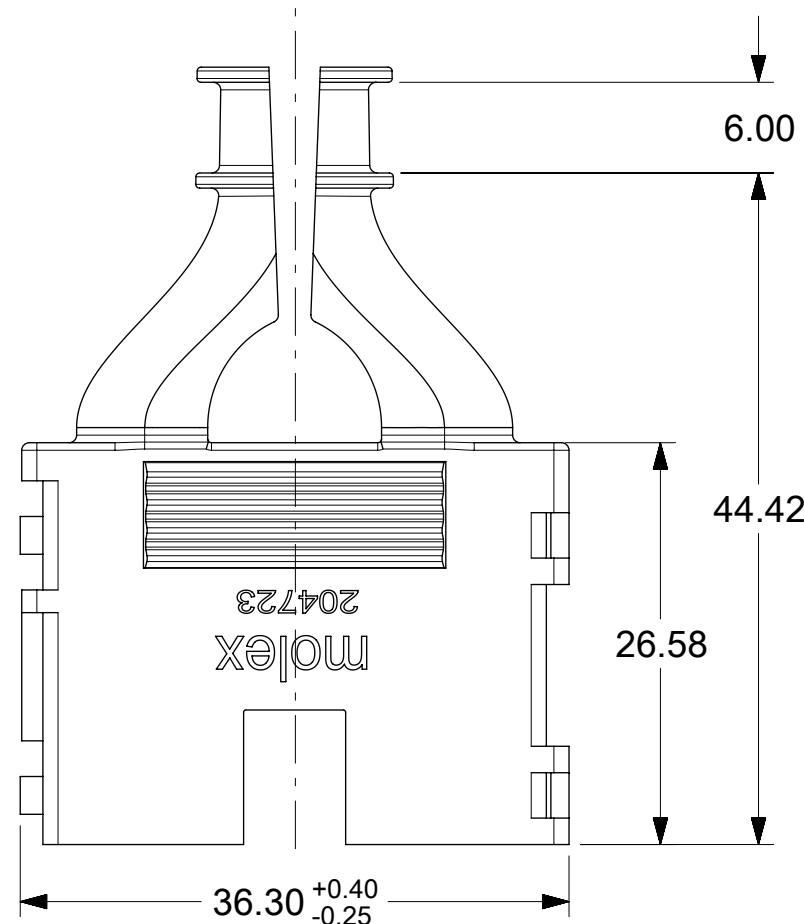
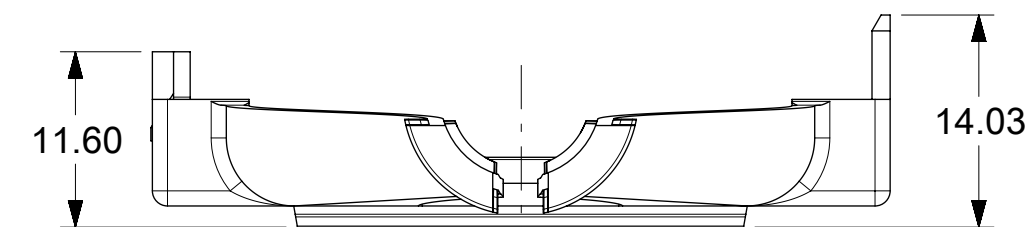
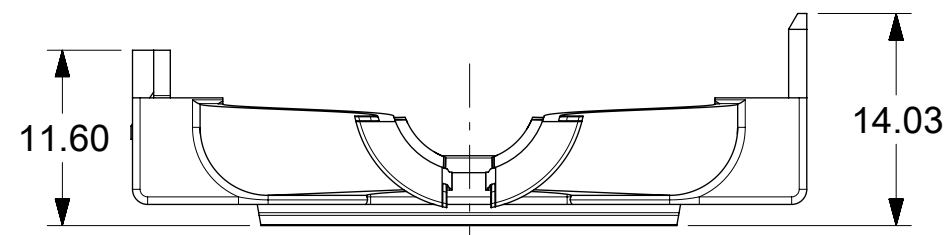
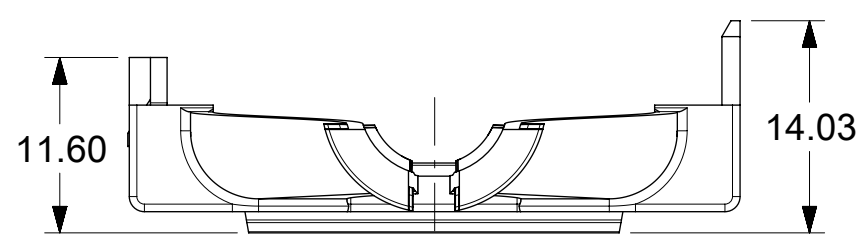
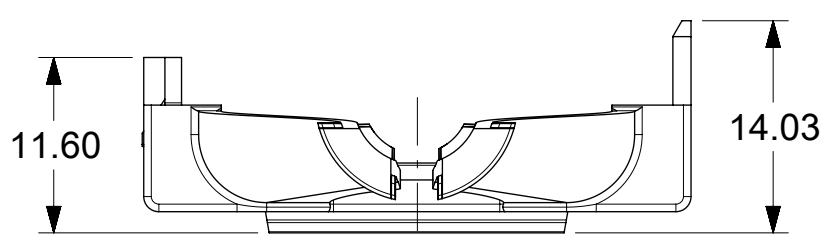
2047230\*08



2047230\*10

2047230\*12

<b>QUALITY SYMBOLS</b> 	THIS DRAWING CONTAINS INFORMATION THAT IS PROPRIETARY TO MOLEX ELECTRONIC TECHNOLOGIES, LLC AND SHOULD NOT BE USED WITHOUT WRITTEN PERMISSION											
	EC NO: 603835 DRWN: GJEEVANSURES CHKD: SCS02 APPR: ISHWARG		2018/08/29 2018/08/29 2018/08/29		<b>GENERAL TOLERANCES (UNLESS SPECIFIED)</b> ANGULAR TOL ± 0.5 °		DIMENSION UNITS: mm SCALE: 2:1				<b>MINIFIT BACKSHELL DUAL ROW 2 TO 24CKT</b>	
	4 PLACES ± 3 PLACES ± 2 PLACES ± 0.25 1 PLACE ± 0.4 0 PLACES ±		DRWN BY: SNAGARAVENKA DATE: 2017/06/07		CHKD BY: DATE							
	DRAFT WHERE APPLICABLE MUST REMAIN WITHIN DIMENSIONS		DRAWING SIZE: C THIRD ANGLE PROJECTION		APPR BY: KPRASAD DATE: 2017/08/18		PRODUCT CUSTOMER DRAWING		SERIES: 204723 MATERIAL NUMBER: 2047230000-SD DOCUMENT NUMBER: 2047230000-SD		CUSTOMER: PSD 000 SHEET NUMBER: 2 OF 3	
	A5		REV:		DIMENSION UNITS: mm SCALE: 2:1		DIMENSION UNITS: mm SCALE: 2:1		PRODUCT CUSTOMER DRAWING		SHEET NUMBER: 2 OF 3	
	A5		REV:		DIMENSION UNITS: mm SCALE: 2:1		DIMENSION UNITS: mm SCALE: 2:1		PRODUCT CUSTOMER DRAWING		SHEET NUMBER: 2 OF 3	
	A5		REV:		DIMENSION UNITS: mm SCALE: 2:1		DIMENSION UNITS: mm SCALE: 2:1		PRODUCT CUSTOMER DRAWING		SHEET NUMBER: 2 OF 3	
	A5		REV:		DIMENSION UNITS: mm SCALE: 2:1		DIMENSION UNITS: mm SCALE: 2:1		PRODUCT CUSTOMER DRAWING		SHEET NUMBER: 2 OF 3	
	A5		REV:		DIMENSION UNITS: mm SCALE: 2:1		DIMENSION UNITS: mm SCALE: 2:1		PRODUCT CUSTOMER DRAWING		SHEET NUMBER: 2 OF 3	
	A5		REV:		DIMENSION UNITS: mm SCALE: 2:1		DIMENSION UNITS: mm SCALE: 2:1		PRODUCT CUSTOMER DRAWING		SHEET NUMBER: 2 OF 3	

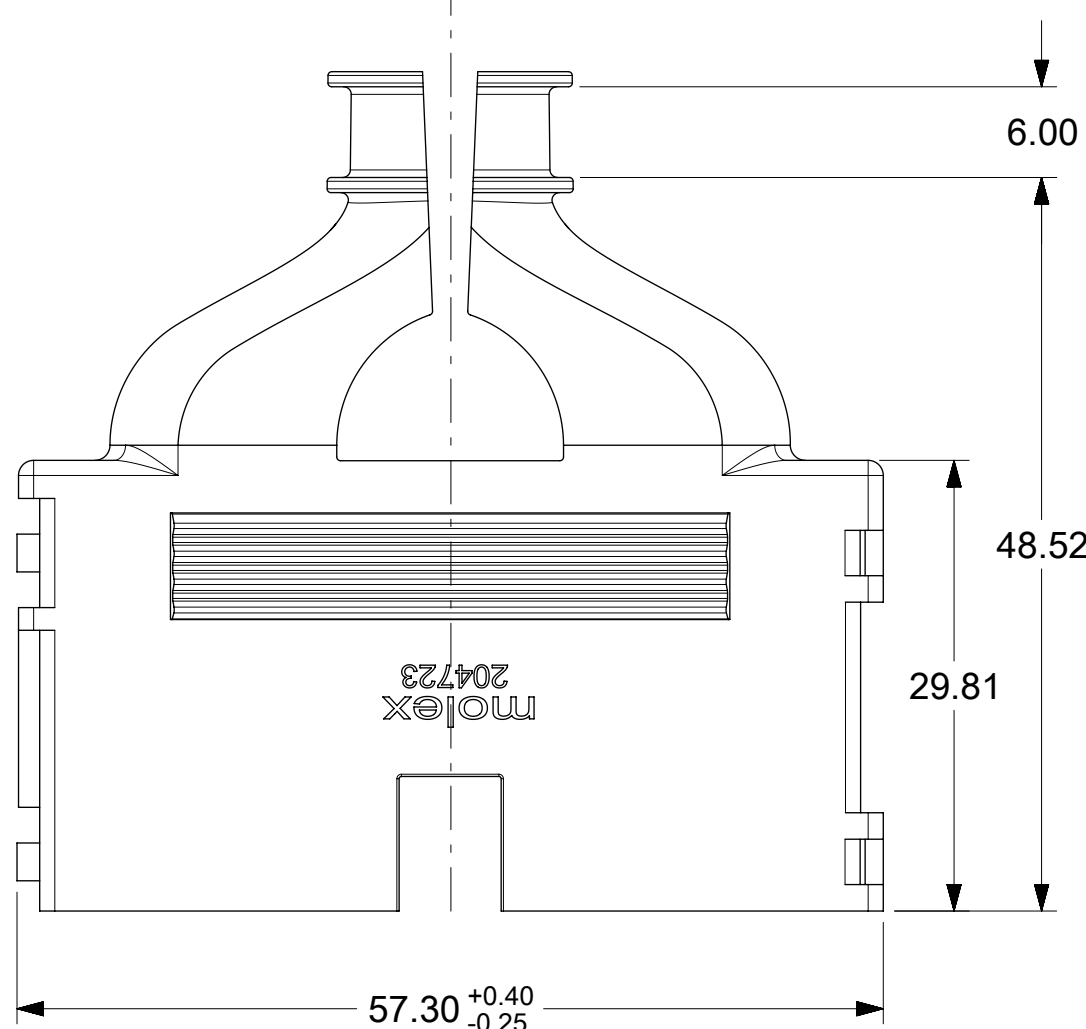
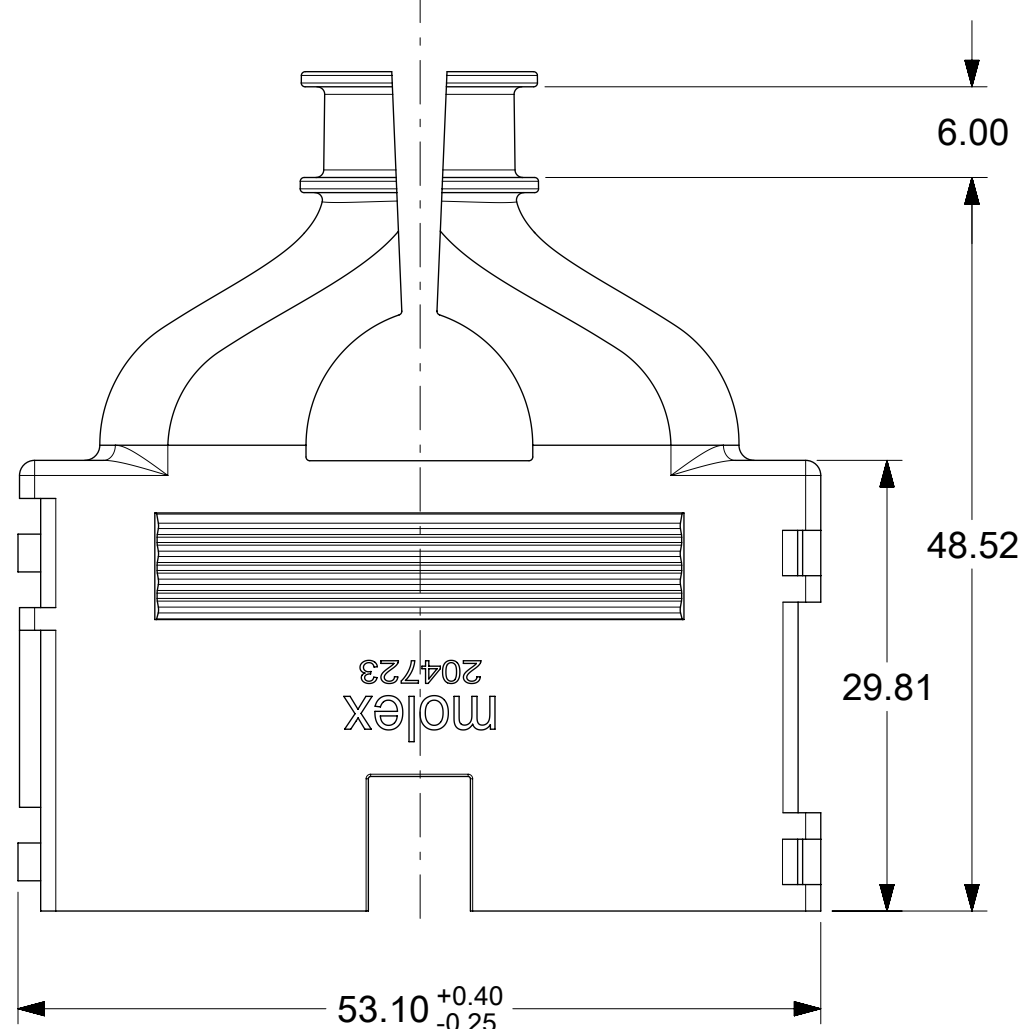
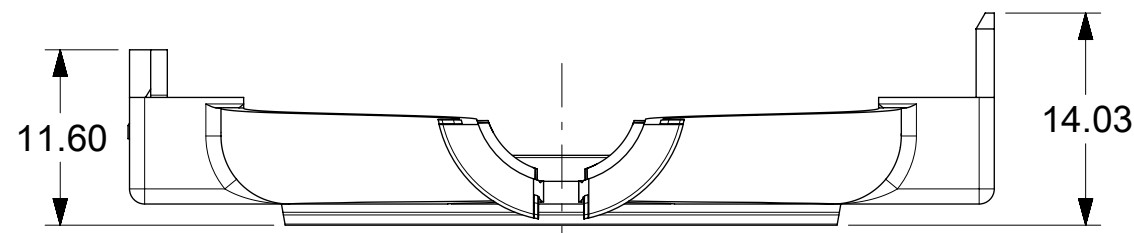
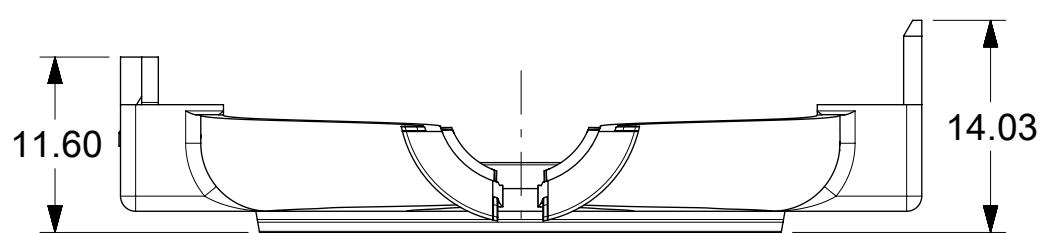


2047230\*14

2047230\*16

2047230\*18

2047230\*20



2047230\*22

2047230\*24

NOTE: 14 TO 24 CIRCUITS ARE NOT TOOLED

QUALITY SYMBOLS	THIS DRAWING CONTAINS INFORMATION THAT IS PROPRIETARY TO MOLEX ELECTRONIC TECHNOLOGIES, LLC AND SHOULD NOT BE USED WITHOUT WRITTEN PERMISSION			DIMENSION UNITS	SCALE				
$\nabla$ = 0	2018/08/29	2018/08/29	2018/08/29	mm	2:1	MINIFIT BACKSHELL DUAL ROW 2 TO 24CKT			
$\nabla$ = 0	EC NO: 603835 DRWN: GJEEVANSURES CHKD: SCS02 REV / APPR: ISHWARG	GENERAL TOLERANCES (UNLESS SPECIFIED)		DRWN BY	DATE				
$\nabla$ = 0		ANGULAR TOL $\pm 0.5^\circ$		SNAGARAVENKA	2017/06/07				
$\blacktriangledown$ = 0		4 PLACES $\pm$		CHK'D BY	DATE				
$\nabla$ = 0		3 PLACES $\pm$		APPR BY					
$\nabla$ = 0		2 PLACES $\pm 0.25$		KPRASAD	2017/08/18				
$\nabla$ = 0		1 PLACE $\pm 0.4$		PRODUCT CUSTOMER DRAWING					
$\boxtimes$ = 0	0 PLACES $\pm$		DRAWING SIZE	THIRD ANGLE PROJECTION	SERIES	MATERIAL NUMBER	CUSTOMER		
$\blacksquare$ = 0	DRAFT WHERE APPLICABLE MUST REMAIN WITHIN DIMENSIONS		C		204723				
$\nabla$ = 0	A5	REV	APPR	ISHWARG	DOCUMENT NUMBER		DOC TYPE	DOC PART	SHEET NUMBER
					2047230000-SD		PSD	000	3 OF 3