

# C-RCI 2,5/M4 - Ring cable lug

3240023

<https://www.phoenixcontact.com/us/products/3240023>

Please be informed that the data shown in this PDF document is generated from our online catalog. Please find the complete data in the user documentation. Our general terms of use for downloads are valid.



Ring cable lug, blue, 1.5 ... 2.5 mm<sup>2</sup>, M4

## Commercial data

Item number	3240023
Packing unit	100 pc
Sales key	BH34
Product key	BH3421
Catalog page	Page 492 (C-3-2019)
GTIN	4046356452007
Weight per piece (including packing)	0.918 g
Weight per piece (excluding packing)	0.918 g
Customs tariff number	85369010
Country of origin	CN

# C-RCI 2,5/M4 - Ring cable lug

3240023

<https://www.phoenixcontact.com/us/products/3240023>

## Technical data

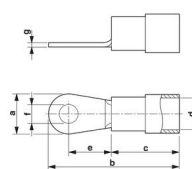
### Product properties

Product type	Connector
--------------	-----------

### Electrical properties

Fuse	yes
------	-----

### Dimensions

Dimensional drawing	
Width	8.5 mm
Length of the insulating material sleeve	11 mm
Maximum stripping length	8 mm
Distance from the center to the insulating material sleeve	7.8 mm
Min. material thickness	0.8 mm
Inner dimensions of the insulating collar	4.5 mm

### Internal dimensions

Internal diameter	4.3 mm
-------------------	--------

### Material specifications

Color	blue
Material	Copper
Flammability rating according to UL 94	V2
Coating	tin-plated
Insulating material	PA
Components	halogen-free

### Environmental and real-life conditions

#### Ambient conditions

Optimum ambient temperature (storage/transport)	20 °C 50 % Humidity (RH), store inside sealed original packaging. Avoid direct sunlight and heat.
Ambient temperature (operation)	-20 °C ... 105 °C
Ambient temperature (assembly)	-20 °C ... 100 °C
Short-term temperature	100 °C

### Standards and regulations

Design according to standard	JIS, UL, CSA
------------------------------	--------------

# C-RCI 2,5/M4 - Ring cable lug

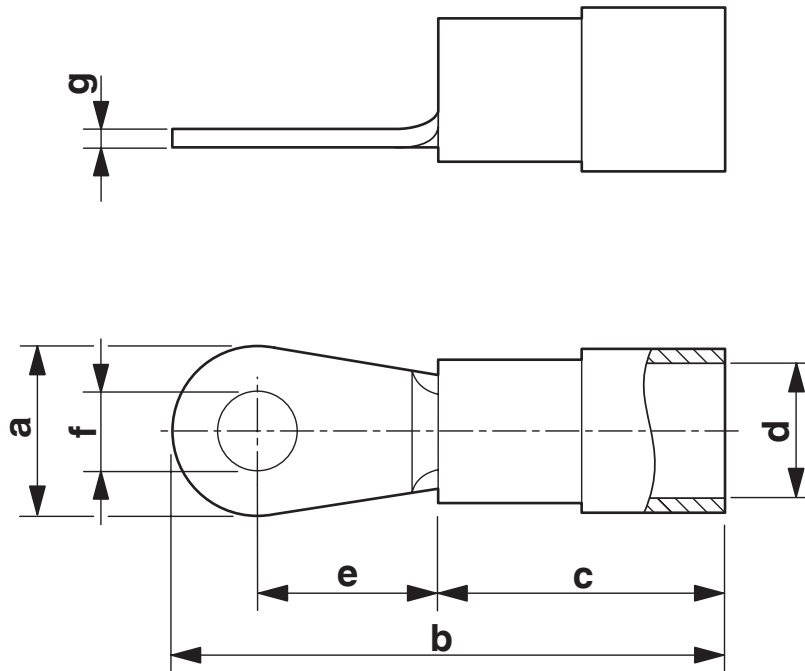
3240023

<https://www.phoenixcontact.com/us/products/3240023>



## Drawings

Dimensional drawing



# C-RCI 2,5/M4 - Ring cable lug



3240023

<https://www.phoenixcontact.com/us/products/3240023>

## Classifications

### ECLASS

ECLASS-11.0	27400204
ECLASS-13.0	27400204
ECLASS-12.0	27400204

### ETIM

ETIM 9.0	EC001052
----------	----------

### UNSPSC

UNSPSC 21.0	27121700
-------------	----------

# C-RCI 2,5/M4 - Ring cable lug

3240023

<https://www.phoenixcontact.com/us/products/3240023>



## Environmental product compliance

China RoHS	Environmentally friendly use period: unlimited = EFUP-e
	No hazardous substances above threshold values

# C-RCI 2,5/M4 - Ring cable lug

3240023

<https://www.phoenixcontact.com/us/products/3240023>



## Mandatory accessories

### CRIMPFOX-RCI 6 - Crimping pliers

1212057

<https://www.phoenixcontact.com/us/products/1212057>



Crimping pliers, for insulated cable lugs, 0.5 mm<sup>2</sup> ... 6.0 mm<sup>2</sup> (red, blue, yellow), oval crimp, symmetrical

---

### CRIMPFOX-RCI 6-M - Crimping pliers

1212730

<https://www.phoenixcontact.com/us/products/1212730>



Crimping pliers, compact pliers, for symmetrical insulated cable lugs, 0.5 mm<sup>2</sup> ... 6.0 mm<sup>2</sup> (red, blue, yellow), three marked die stations, unlockable pressure lock, lateral entry

## C-RCI 2,5/M4 - Ring cable lug

3240023

<https://www.phoenixcontact.com/us/products/3240023>



## CRIMPFOX-RCI 2,5 - Crimping pliers

1212053

<https://www.phoenixcontact.com/us/products/1212053>



Crimping pliers, for insulated cable lugs, 0.5 mm<sup>2</sup> ... 2.5 mm<sup>2</sup> (red, blue), oval crimp

---

## CF 500/DIE RCI 6 - Crimp insert

1212240

<https://www.phoenixcontact.com/us/products/1212240>



Die for CF 500 automatic crimping device, for insulated cable lugs (C-RCI... and C-FCI...) 0.5 mm<sup>2</sup> ... 6 mm<sup>2</sup>

# C-RCI 2,5/M4 - Ring cable lug

3240023

<https://www.phoenixcontact.com/us/products/3240023>



## CRIMPFOX-RCI 6-1 - Crimping pliers

1212059

<https://www.phoenixcontact.com/us/products/1212059>



Crimping pliers, for insulated cable lugs, 0.5 mm<sup>2</sup> ... 6.0 mm<sup>2</sup> (red, blue, yellow), oval crimp, asymmetrical

---

Phoenix Contact 2024 © - all rights reserved

<https://www.phoenixcontact.com>

Phoenix Contact USA  
586 Fulling Mill Road  
Middletown, PA 17057, United States  
(+717) 944-1300  
[info@phoenixcon.com](mailto:info@phoenixcon.com)