

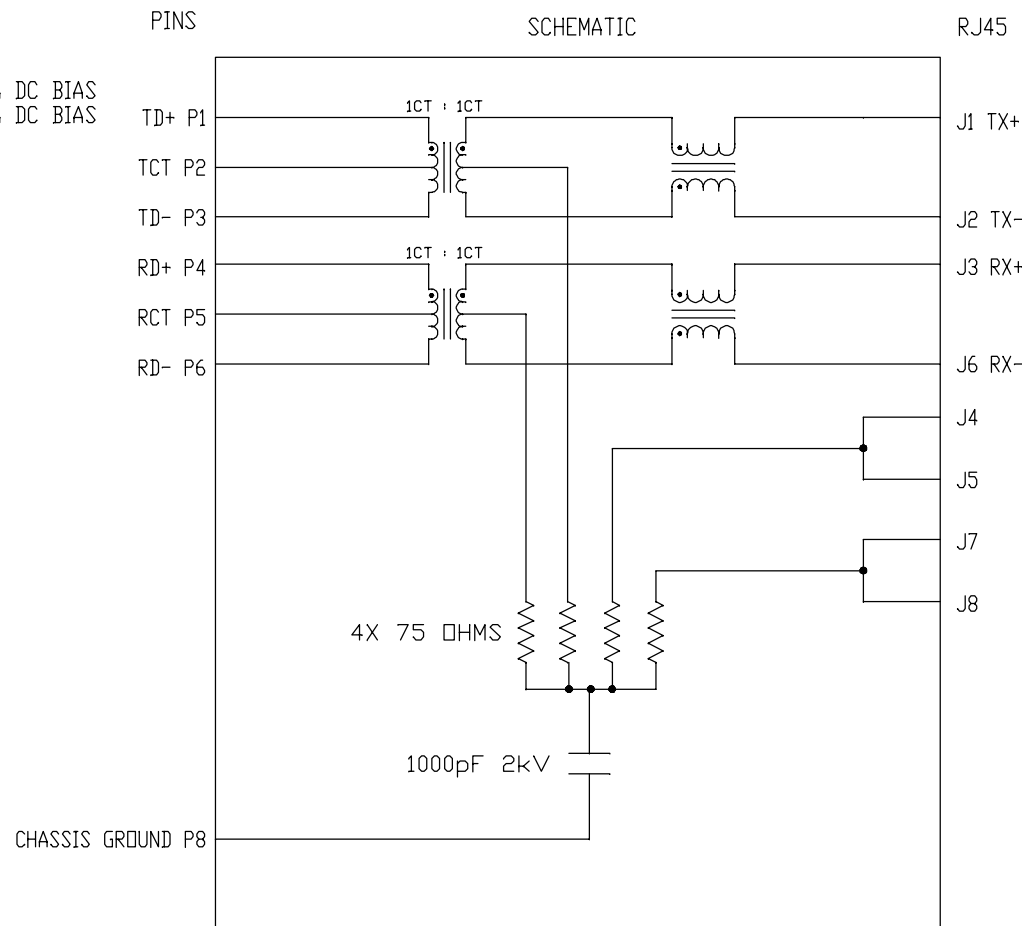
THE INFORMATION CONTAINED HEREIN IS CONSIDERED "PROPRIETARY" TO BEL FUSE INC. AND SHALL NOT BE COPIED, REPRODUCED OR DISCLOSED WITHOUT THE WRITTEN APPROVAL OF BEL FUSE INC.

RoHS



ELECTRICAL CHARACTERISTICS @ 25°C

1.0 INDUCTANCE: (P6-P4) (P3-P1)	:	350uH MIN. @ 0.1V, 100KHz, 8mA DC BIAS 350uH MIN. @ 0.1V, 100KHz, 8mA DC BIAS
2.0 TURNS RATIO: (P6-P4):(J6-J3) (P3-P1):(J2-J1)	:	1CT : 1CT ± 3% 1CT : 1CT ± 3%
3.0 DC RESISTANCE: (J6-J3)=(J2-J1)	:	1.5 OHMS MAX.
4.0 INSERTION LOSS: 100kHz TO 100MHz	:	-1.1dB TYP.
5.0 RETURN LOSS: 100 OHMS SOURCE APPLIED TO J-PINS 1MHz TO 30MHz 60MHz TO 80MHz NOTE: 100 OHMS CONNECTED TO (P6-P4) OR (P1-P3)	:	-18dB MIN. -12dB MIN.
6.0 CROSS TALK: 1MHz TO 100MHz	:	-40dB TYP.
7.0 COMMON TO COMMON MODE ATTENUATION: 30MHz TO 100MHz	:	-35dB TYP.
8.0 RISE TIME: OUTPUT VOLTAGE=1 V PEAK PULSE WIDTH=12ns	:	3.0 nS MAX 3.0 nS MAX
9.0 VOLTAGE WITHSTAND: (J1,J2) TO (P1,P3) (J3,J6) TO (P4,P6)	:	1500Vrms 1500Vrms
10.0 OPERATING TEMPERATURE RANGE:-40°C TO 85°C		



NOTES:
1.0 PINS WITHOUT ELECTRICAL CONNECTION ARE OMITTED.

REV. : C PAGE : 2

ORIGINATED BY
CHOW WANCHUNG
DATE 2018-12-19
DRAWN BY
XIE YIMING
DATE 2018-12-19

TITLE
MagJack®
10/100BT
VERTICAL, SHIELDED

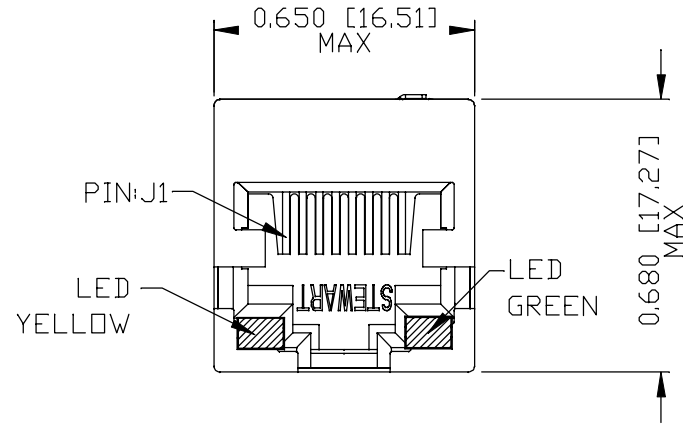
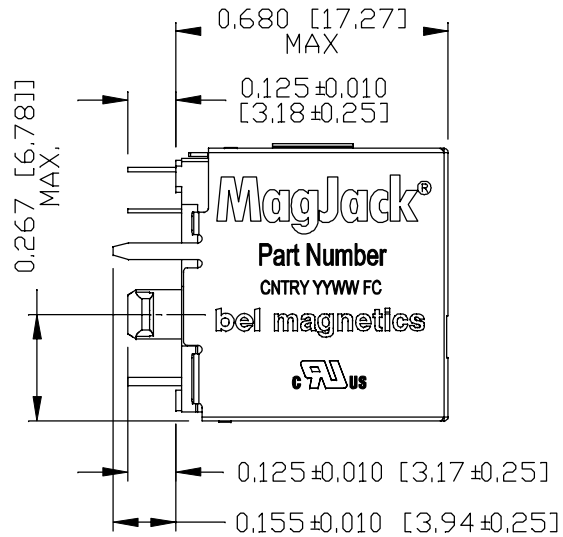
PART NO. / DRAWING NO.
SI-46014-F
FILE NAME
SI-46014-F_C.DWG

STANDARD DIM. TOL. IN INCH	[] METRIC DIM. AS REF.
.X	UNIT : INCH [mm]
.XX	SCALE : N/A
.XXX	SIZE : A4



THE INFORMATION CONTAINED HEREIN IS CONSIDERED "PROPRIETARY" TO BEL FUSE INC. AND SHALL NOT BE COPIED, REPRODUCED OR DISCLOSED WITHOUT THE WRITTEN APPROVAL OF BEL FUSE INC.

RoHS



NOTES:

1. CONNECTOR MATERIALS:

HOUSING: THERMOPLASTIC UL94 V-0

CONTACT/SHIELD: COPPER ALLOY

SHIELD PLATING: NICKEL OR TIN

CONTACT PLATING: SELECTIVE GOLD,

50 MICRO-INCHES MIN. IN CONTACT AREA.

2. PIN NOT ELECTRICALLY CONNECTED MAYBE OMITTED.

SEE ELECTRICAL DRAWING FOR OMITTED PINS.



3. TOLERANCES COMPLY WITH F.C.C. DIMENSION REQUIREMENTS.

4. THE PRODUCT IS ROHS COMPLIANT.

cRus UL RECOGNIZED - FILE #E474585.

5. THE PART IS RECOMMENDED FOR WAVE SOLDERING.

THE SUGGESTED PEAK WAVE SOLDERING CONDITION IS 260°C MAX AND 10 SECONDS MAX.

REV. :	C	PAGE :	3
		UNIT : INCH [mm]	
		SCALE : N/A	
		SIZE : A4	
			

ORIGINATED BY SANDY LIN DATE 2018-12-19	TITLE MagJack® 10/100BT VERTICAL, SHIELDED	PART NO. / DRAWING NO. SI-46014-F	STANDARD DIM. TOL. IN INCH	[] METRIC DIM. AS REF.
DRAWN BY RUAN WENJUN DATE 2018-12-19		FILE NAME SI-46014-F_C.DWG	.X	
			.XX	
			.XXX	±0.005

THE INFORMATION CONTAINED HEREIN IS CONSIDERED "PROPRIETARY" TO BEL FUSE INC. AND SHALL NOT BE COPIED, REPRODUCED OR DISCLOSED WITHOUT THE WRITTEN APPROVAL OF BEL FUSE INC.

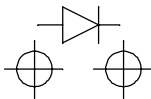
RoHS



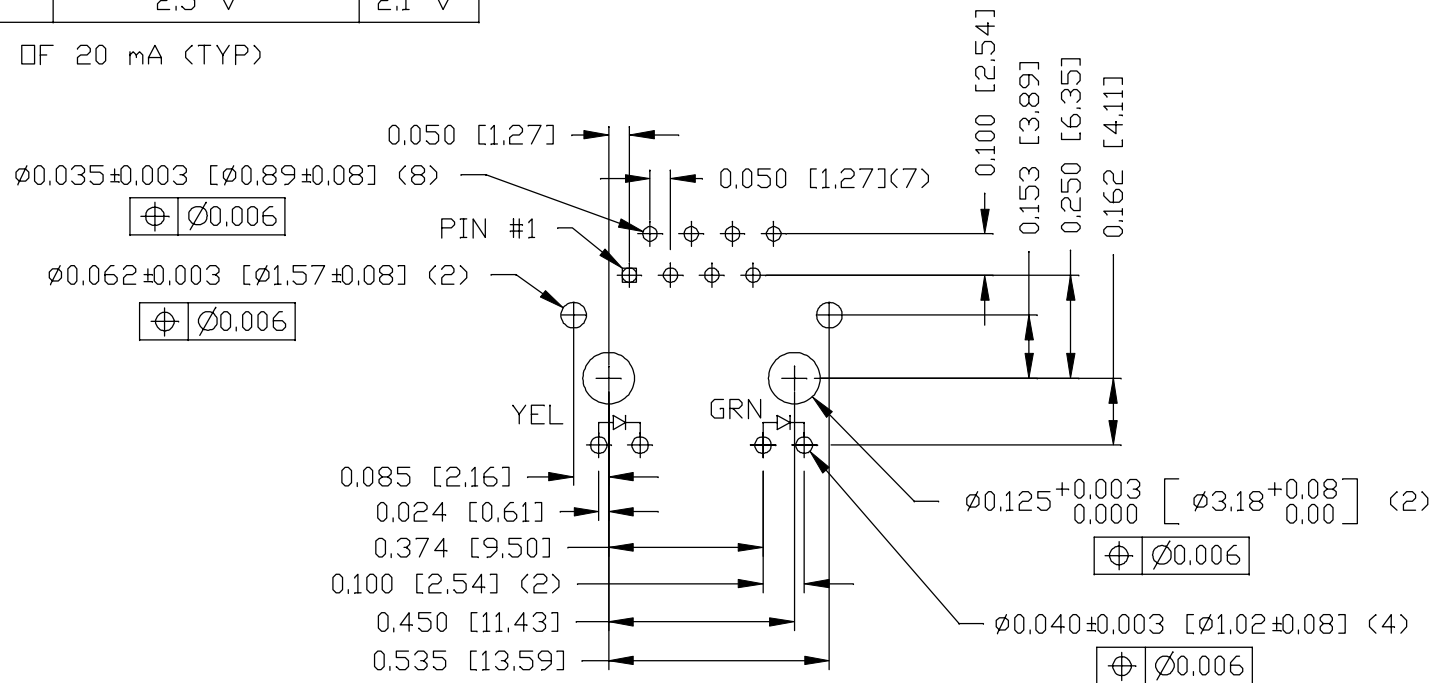
LED SPECIFICATION			
LED COLOR	WAVELENGTH	FORWARD V (MAX)	*(TYP)
GREEN	565 nm	2.5 V	2.2 V
YELLOW	590 nm	2.5 V	2.1 V

*WITH A FORWARD CURRENT OF 20 mA (TYP)

LED POLARITY
(ENLARGED VIEW)



SINGLE COLOR LED



P.C.B. RECOMMENDED HOLE LAYOUT
SEEN FROM COMPONENT SIDE

ALL CENTERLINE DIMENSIONS ARE BASIC.

REV. : C PAGE : 4

ORIGINATED BY
SANDY LIN
DATE 2018-12-19
DRAWN BY
RUAN WENJUN
DATE 2018-12-19

TITLE
MagJack®
10/100BT
VERTICAL, SHIELDED

PART NO. / DRAWING NO.
SI-46014-F
FILE NAME
SI-46014-F_C.DWG

STANDARD DIM. TOL. IN INCH	[] METRIC DIM. AS REF.
.X	UNIT : INCH [mm]
.XX	SCALE : N/A
.XXX	SIZE : A4

