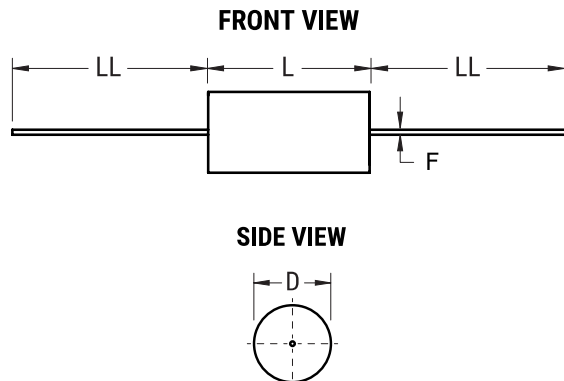


KEMET Part Number: A72SK1220AA00K
(72SK1220AA00K)

A72, Film, Film/Foil Polypropylene, General Purpose, 2200 pF, 10%, 450 VAC, 1500 VDC, 85°C



General Information	
Supplier:	KEMET
Series:	A72
Dielectric:	Film/Foil Polypropylene
Style:	Axial
RoHS:	Yes
Lead:	Wire Leads
Miscellaneous:	Above 85C DC And AC Voltage Derating Is 1.25%/C. maxK0 = 51000000

Dimensions	
D	8mm MAX
L	20.5mm MAX
LL	40mm +/-5mm
F	0.8mm +/-0.05mm

Packaging Specifications	
Packaging:	Bulk, Bag
Packaging Quantity:	1000

Specifications	
Capacitance:	2200 pF
Capacitance Tolerance:	10%
Voltage AC:	450 VAC
Voltage DC:	1500 VDC, 1125 VDC (105C)
Temperature Range:	-55/+105C
Rated Temperature:	85°C
Dissipation Factor:	0.05% 10kHz, 0.10% 100kHz
Insulation Resistance:	100 GOhms
Max dV/dt:	17000 V/us
Inductance:	20.5 nH