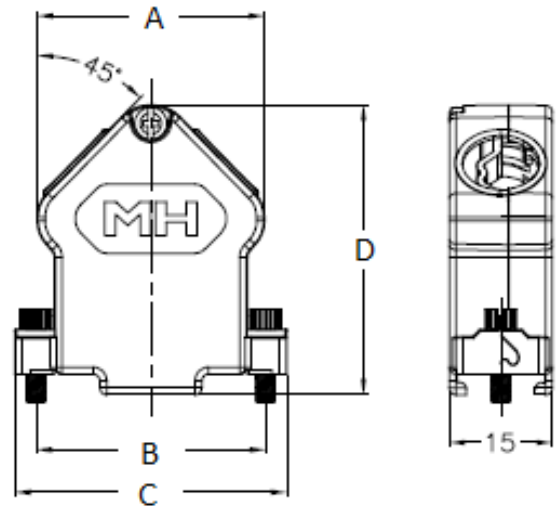




MHDU45 Metal D Sub Hoods

Features

- Available in 9, 15, 25 way.
- Twin 45° cable entry points.
- Saddle clamps secured by screws .
- Recommended cable 4.8 to 11.0mm Ø.
- Blanking plate for unused cable entry.
- 4-40 UNC jackscrews.
- Jackscrews are held in place for easy assembly.
- Hoods held in place with screws and a unique scroll locking the 2 halves together.
- Nickel plated Zinc construction.
- Can be supplied without logo; a recessed panel can be used to accept a custom label.



The 2 halves of the hood are secured at the front with a scroll lock for easy assembly and strength.

The 25 way hood is secured with 2 screws.
Please order D Sub connectors separately.

Size	Part No	Description	A	B	C	D
9	MHDU45ZK9-K	4-40 UNC Jack screws	27	25	31.1	45
15	MHDU45ZK15-K	4-40 UNC Jack screws	33	33.3	39.5	42
25	MHDU45ZK25-K	4-40 UNC Jack screws	41.7	47	53.3	42

All dimensions in mm

MH Connectors is part of the EDAC Group of companies, 12 Fleming Close, Park Farm, Wellingborough, NN8 6UF.

Web: mhconnectors.com Tel: 01933 427301