

Protistor® size 22x58 gR

690VAC (IEC) / 700VAC (UL)

SEMICONDUCTOR PROTECTION FUSES

IEC HIGH-SPEED CYLINDRICAL FUSE-LINKS AC PROTECTION



These Protistor® size 22x58 have been designed to protect power semiconductors, complying with standard IEC 60269-1 and -4.

They are extremely high interrupting rating fuses: 690 VAC, with large band of ratings (current rating 15 to 135 A).

Two models are existing: with or without trip-indicator

TECHNICAL DATA OVERVIEW

| | |
|------------------------|--------------|
| Ampere Range (A) | 12 ... 135 A |
| Size per Standard | 22x58 |
| Speed/Characteristic | gR |
| I.R. AC (IEC) | 160 kA |
| I.R. AC (UL) | 200 kA |
| I.R. DC (UL) | 50 kA |
| Rated voltage AC (IEC) | 690 V |
| Rated voltage AC (UL) | 700 V |
| Rated voltage DC (UL) | 500 V |

FEATURES & BENEFITS

- IEC standard 60269-4 compliant
- UL 248-13 compliant
- gR class
- Clearing all overloads
- Improved safety and protection
- Enabling selective coordination among all
- Distribution circuit fuses
- With or without trip-indicator

STANDARDS

- IEC 60269-4
- UL recognized
- UL 248-13
- CCC GB 1539.4
- RoHS compliant



Protistor® size 22x58 gR

690VAC (IEC) / 700VAC (UL)

PRODUCT RANGE

CP 22x58 gR with striker

| Catalog number | Reference number | Rated voltage AC (IEC) | Rated current I _n | Pre-arcing I ² t | Clearing I ² t at Rated Voltage | Power dissipation at I _n | Weight | Package |
|----------------|------------------|------------------------|------------------------------|-----------------------------|--|-------------------------------------|--------|---------|
| FR22GR69V12T | W1018620 | 690 V | 12 A | 5.4 A ² s | 60 A ² s | 4.4 W | 60 g | 10 |
| FR22GR69V16T | X1018621 | 690 V | 16 A | 13.1 A ² s | 125 A ² s | 4.65 W | 60 g | 10 |
| FR22GR69V20T | Y1018622 | 690 V | 20 A | 17.1 A ² s | 160 A ² s | 7 W | 60 g | 10 |
| FR22GR69V25T | Z1018623 | 690 V | 25 A | 38.6 A ² s | 315 A ² s | 7.65 W | 60 g | 10 |
| FR22GR69V32T | A1018624 | 690 V | 32 A | 77.4 A ² s | 670 A ² s | 9.1 W | 60 g | 10 |
| FR22GR69V40T | B1018625 | 690 V | 40 A | 154 A ² s | 1050 A ² s | 9.5 W | 60 g | 10 |
| FR22GR69V50T | C1018626 | 690 V | 50 A | 292 A ² s | 2050 A ² s | 11.8 W | 60 g | 10 |
| FR22GR69V63T | D1018627 | 690 V | 63 A | 519 A ² s | 3350 A ² s | 13.6 W | 60 g | 10 |
| FR22GR69V80T | E1018628 | 690 V | 80 A | 1240 A ² s | 7600 A ² s | 13.8 W | 60 g | 10 |
| FR22GR69V100T | F1018629 | 690 V | 100 A | 2470 A ² s | 14500 A ² s | 16 W | 60 g | 10 |
| FR22GR69V125T | G1018630 | 690 V | 125 A | 3360 A ² s | 16800 A ² s | 22.8 W | 60 g | 10 |
| FR22GR69V135T | H1018631 | 690 V | 135 A | 4390 A ² s | 19800 A ² s | 25.5 W | 60 g | 10 |



FR22GR69V12

CP 22x58 gR without striker

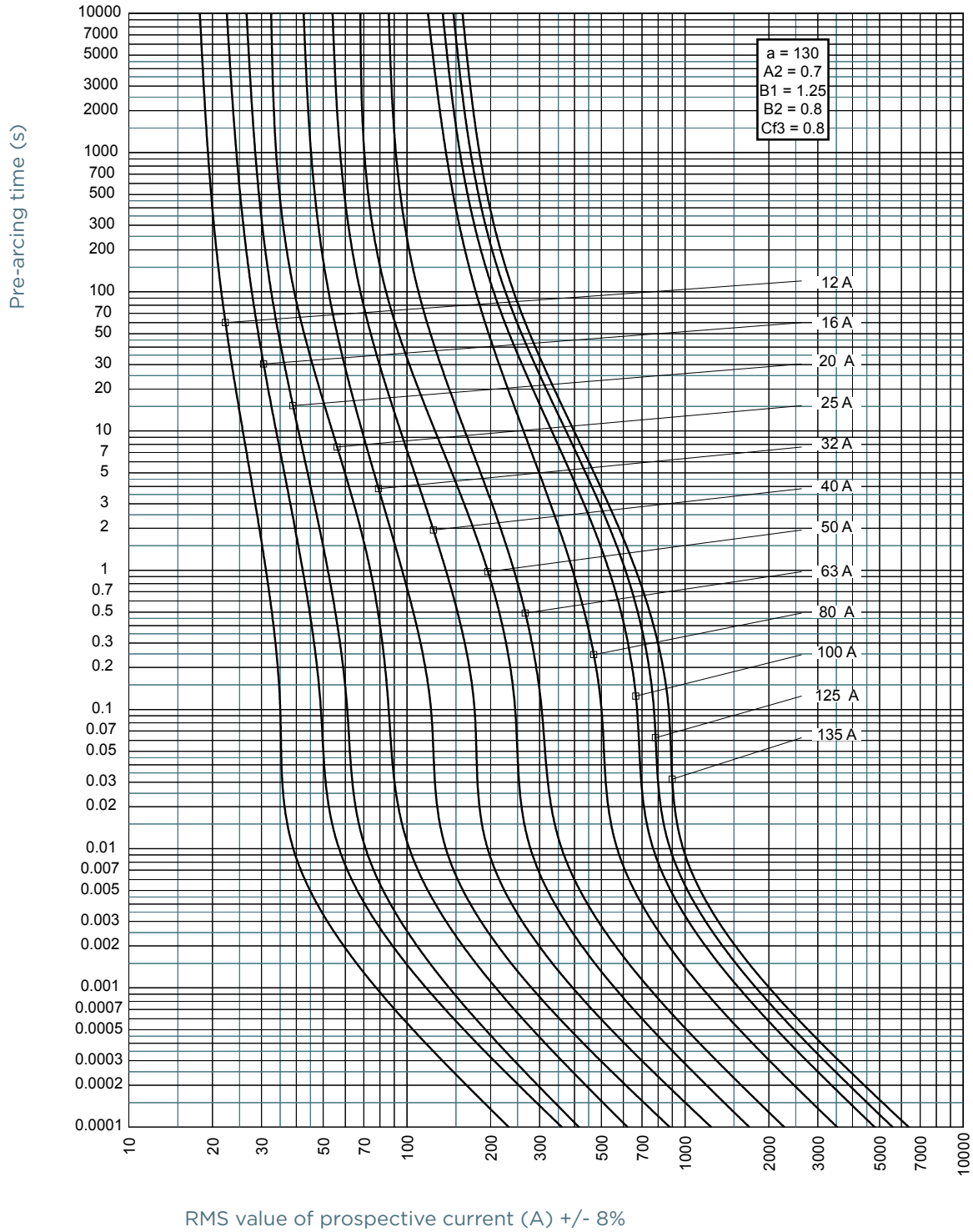
| Catalog number | Reference number | Rated voltage AC (IEC) | Rated current I _n | Pre-arcing I ² t | Clearing I ² t at Rated Voltage | Power dissipation at I _n | Weight | Package |
|----------------|------------------|------------------------|------------------------------|-----------------------------|--|-------------------------------------|--------|---------|
| FR22GR69V12 | W1018551 | 690 V | 12 A | 5.4 A ² s | 60 A ² s | 4.4 W | 60 g | 10 |
| FR22GR69V16 | X1018552 | 690 V | 16 A | 13.1 A ² s | 125 A ² s | 4.65 W | 60 g | 10 |
| FR22GR69V20 | Y1018553 | 690 V | 20 A | 17.1 A ² s | 160 A ² s | 7 W | 60 g | 10 |
| FR22GR69V25 | Z1018554 | 690 V | 25 A | 38.6 A ² s | 315 A ² s | 7.65 W | 60 g | 10 |
| FR22GR69V32 | A1018555 | 690 V | 32 A | 77.4 A ² s | 670 A ² s | 9.1 W | 60 g | 10 |
| FR22GR69V40 | B1018556 | 690 V | 40 A | 154 A ² s | 1050 A ² s | 9.5 W | 60 g | 10 |
| FR22GR69V50 | C1018557 | 690 V | 50 A | 292 A ² s | 2050 A ² s | 11.8 W | 60 g | 10 |
| FR22GR69V63 | D1018558 | 690 V | 63 A | 519 A ² s | 3350 A ² s | 13.6 W | 60 g | 10 |
| FR22GR69V80 | E1018559 | 690 V | 80 A | 1240 A ² s | 7600 A ² s | 13.8 W | 60 g | 10 |
| FR22GR69V100 | F1018560 | 690 V | 100 A | 2470 A ² s | 14500 A ² s | 16 W | 60 g | 10 |
| FR22GR69V125 | G1018561 | 690 V | 125 A | 3360 A ² s | 16800 A ² s | 22.8 W | 60 g | 10 |
| FR22GR69V135 | H1018562 | 690 V | 135 A | 4390 A ² s | 19800 A ² s | 25.5 W | 60 g | 10 |

Protistor® size 22x58 gR

690VAC (IEC) / 700VAC (UL)

TIME CURRENT CHARACTERISTIC CURVES

Size 22x58 gR



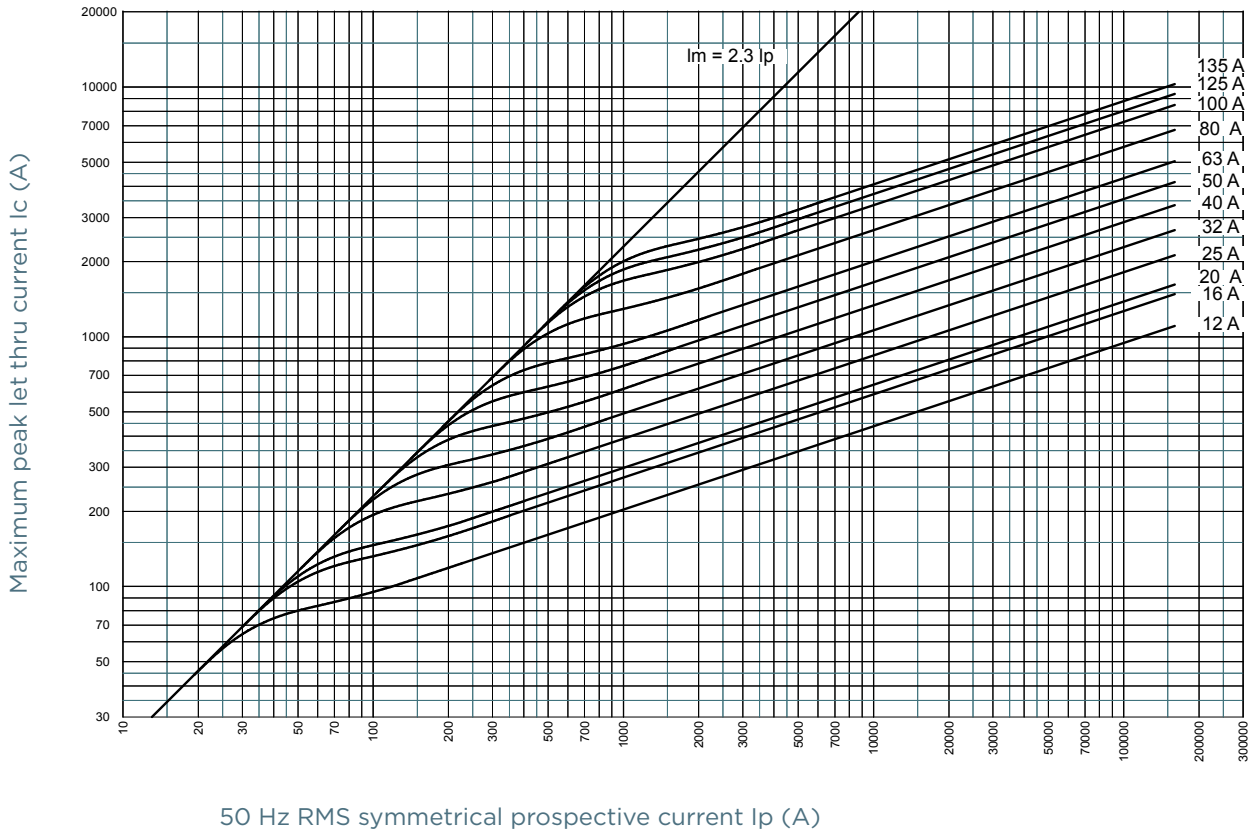
MERSEN reserves the right to change, update or correct, without notice, any information contained in this datasheet.

Protistor® size 22x58 gR

690VAC (IEC) / 700VAC (UL)

CUT-OFF CURRENT CHARACTERISTIC

Size 22x58 gR



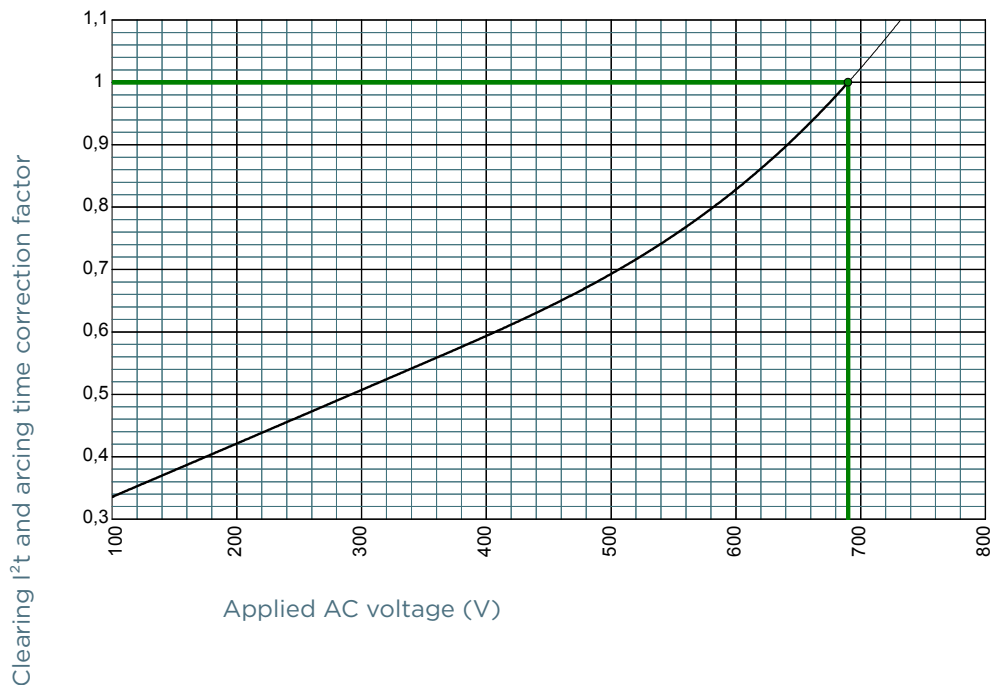
MERSEN reserves the right to change, update or correct, without notice, any information contained in this datasheet.

Protistor® size 22x58 gR

690VAC (IEC) / 700VAC (UL)

I²T MULTIPLIER COEFFICIENT

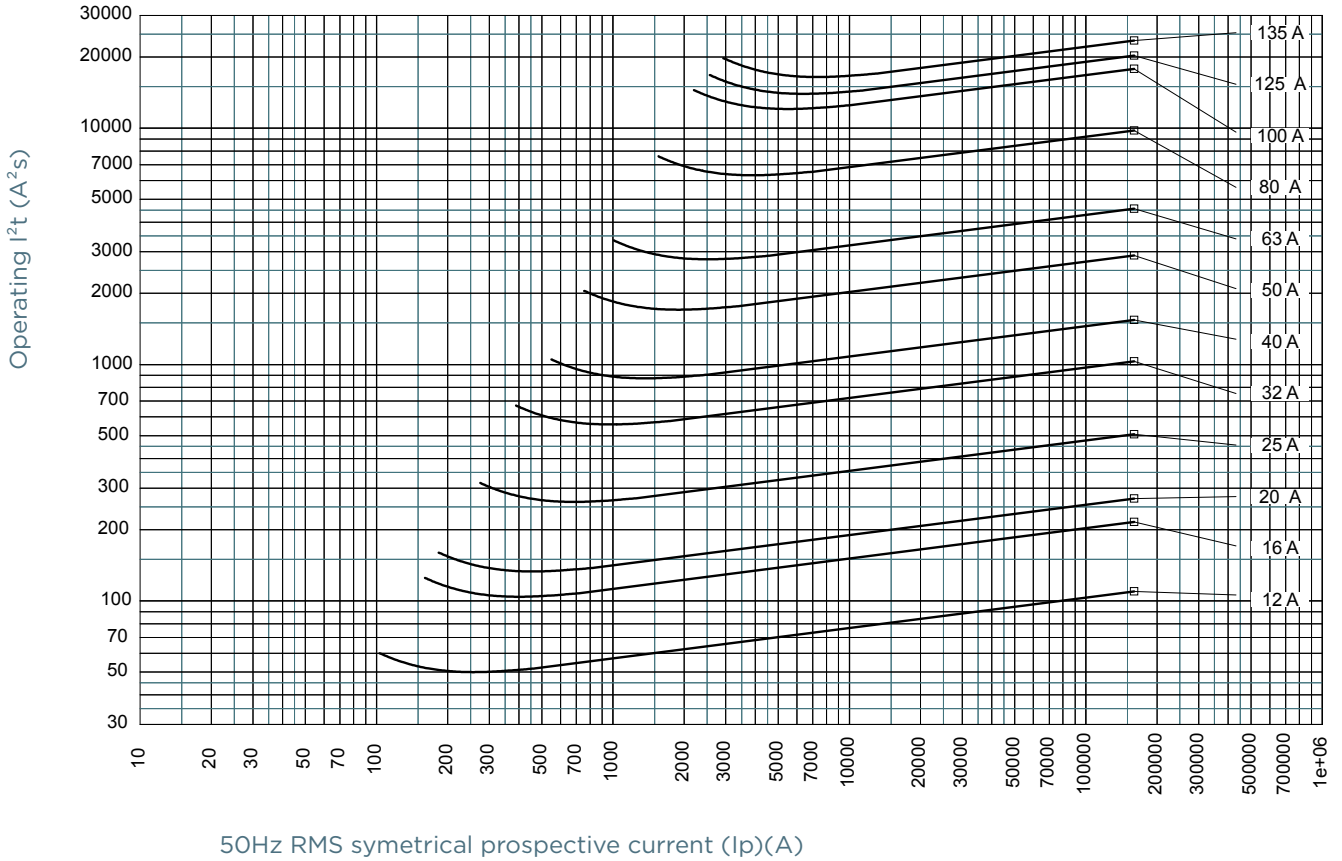
Size 22x58 gR



MERSEN reserves the right to change, update or correct, without notice, any information contained in this datasheet.

CHARACTERISTICS TOTAL I²T CURVE

Size 22x58 gR



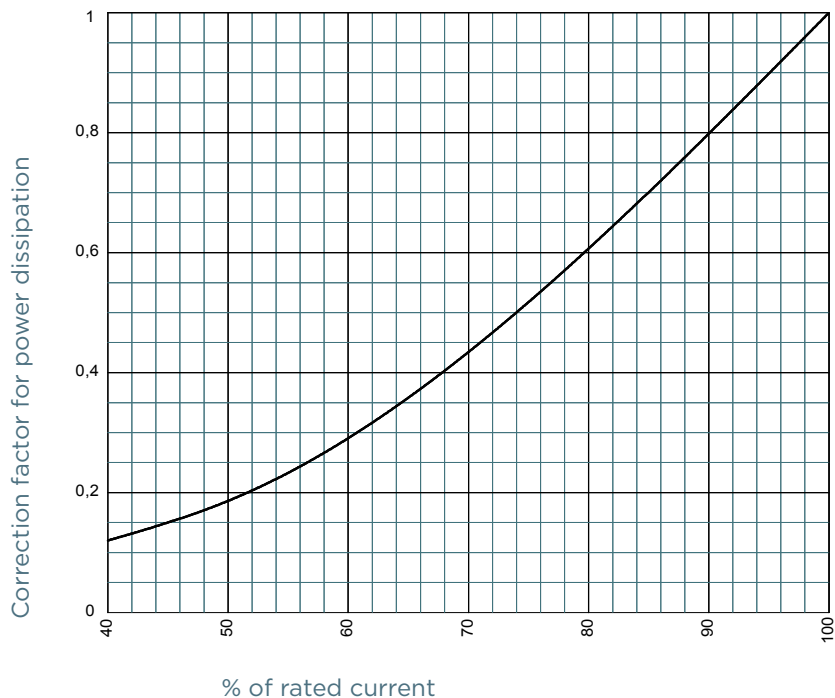
MERSEN reserves the right to change, update or correct, without notice, any information contained in this datasheet.

Protistor® size 22x58 gR

690VAC (IEC) / 700VAC (UL)

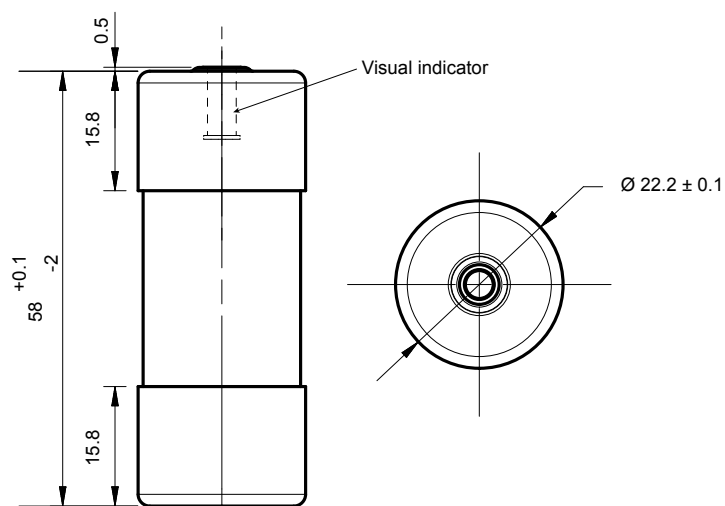
POWER DISSIPATION

Size 22x58 gR



DIMENSIONS

CP 22x58 gR with striker (100213)



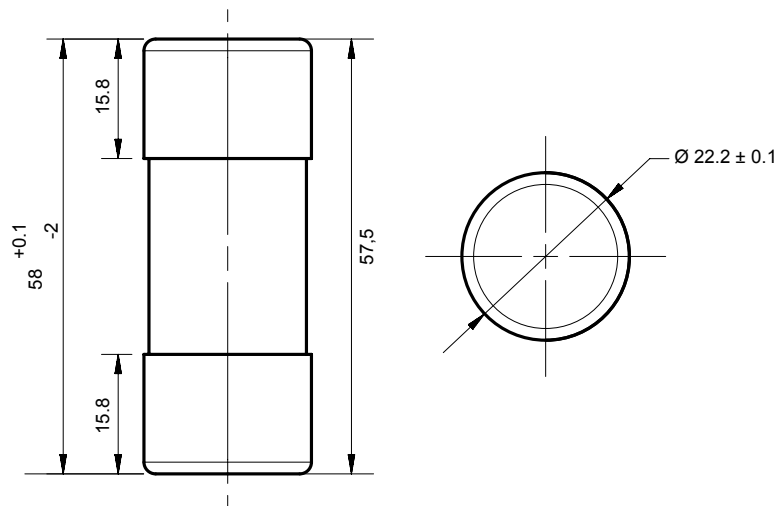
Dimensions in mm

Protistor® size 22x58 gR

690VAC (IEC) / 700VAC (UL)

DIMENSIONS

CP 22x58 gR without striker (100214)



Dimensions in mm