

Miniature Pushbutton Switches



Specifications:

Contact rating:	250 V AC, 3 A / 125 V AC, 6 A 30 V DC, 4 A / 12 V DC, 5 A 6 V DC, 6 A
Contact resistance:	< 10 mΩ
Insulation resistance:	> 1000 MΩ at 500 V DC
Dielectric strength:	1500 V, 50 Hz for the duration of 1 minute
Operating temperature:	- 45° to + 140° C
Mechanical life:	minimum 30000 operations
Contacts:	coin silver (common contact copper alloy, silver-plated) also available gold-plated, version B and G (see page 4)
Terminals:	solder tags, copper alloy silver-plated further terminal versions see page 8
Material:	case: diallyl-phthalate meets UL 94 V-0, black metal parts: nickel-plated
Mounting:	bushing M 6 x 0,75 with locking plate, key 9 mm
Soldering conditions:	hand-soldering – max.: 60 W, 3 sec, 420° C auto-soldering – max.: 5 sec, 270° C

Accessories:

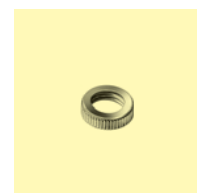
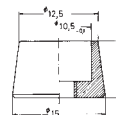
Buttons	Ø (height 8 mm)		Ø (height 10 mm)	
	orange	10 mm	KM 403	15 mm
blue	10 mm	KM 404	15 mm	KM 604
black	10 mm	KM 405	15 mm	KM 605
green	10 mm	KM 406	15 mm	KM 606
grey	10 mm	KM 407	15 mm	KM 607
yellow	10 mm	KM 408	15 mm	KM 608
red	10 mm	KM 409	15 mm	KM 609
white	10 mm	KM 410	15 mm	KM 610

Knurled nut, nickel-plated

M 6 x 0,75	8 mm	R 675
------------	------	-------

Covers

M 6 x 0,75	
Brass chromium-plated	CO 106
Brass black, matt finish	CO 106 S





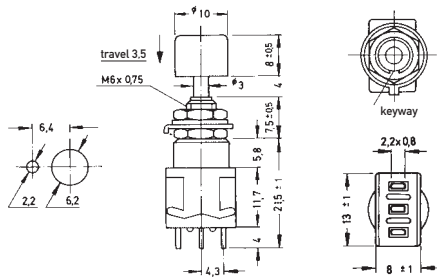
Miniature Pushbutton Switches

Models: Switching functions

S P D T

MPA 106 F
MPA 106 D

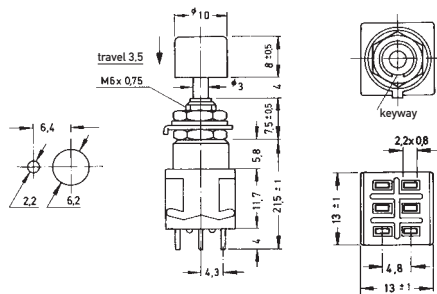
* on - mom
on - on



D P D T

MPA 206 R
MPA 206 N

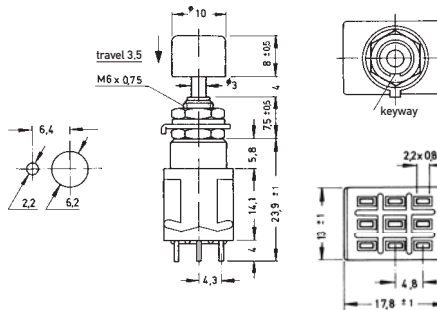
* on - mom
on - on



3 P D T

MPA 306 F
MPA 306 D

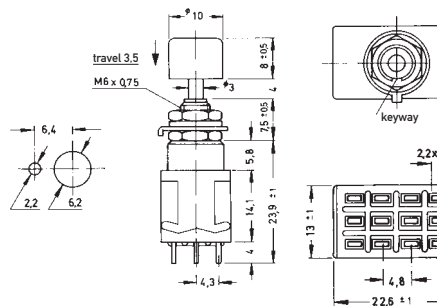
* on - mom
on - on



4 P D T

MPA 406 R
MPA 406 N

* on - mom
on - on



* When looking at the brand name the normally closed contact is on the right-hand side.

