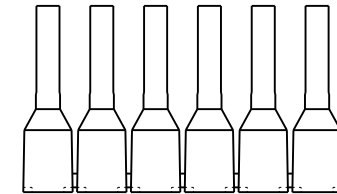


THIS COPY IS PROVIDED ON A RESTRICTED BASIS AND IS NOT TO BE USED IN ANY WAY DETRIMENTAL TO THE INTERESTS OF PANDUIT CORP.

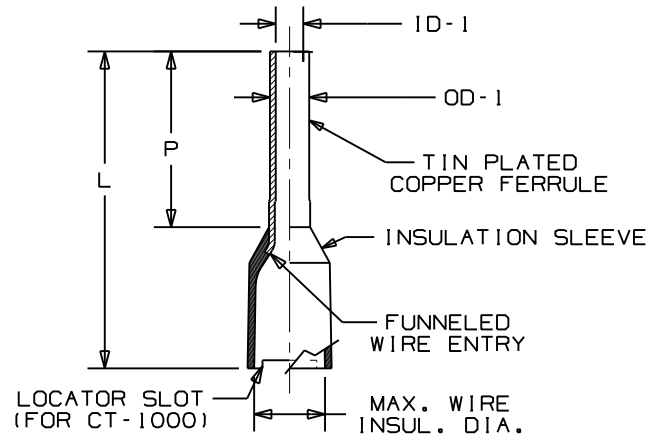
PANDUIT PART NUMBER	WIRE RANGE AWG (mm ²)	COLOR	STRIP LENGTH : 1/32" (0.791)	MAX. WIRE INSULATION DIAMETER	DIM "L"	DIM "P"	OD-1	ID-1
FSD75-8-DSL10	20 (0.50)	WHITE*	13/32 (10)	.10 (2.6)	.60 (15.2)	.31 (8)	.05 (1.4)	.04 (1.0)
FS75-8-DSL3	20 (0.50)	ORANGE	13/32 (10)	.10 (2.6)	.60 (15.2)	.31 (8)	.05 (1.4)	.04 (1.0)
FSD76-8-DSL8	18 (0.75)	GRAY*	13/32 (10)	.11 (2.7)	.60 (15.2)	.31 (8)	.06 (1.6)	.05 (1.2)
FS76-8-DSL10	18 (0.75)	WHITE	13/32 (10)	.11 (2.7)	.60 (15.2)	.31 (8)	.06 (1.6)	.05 (1.2)
FS76-8-DSL7	18 (0.75)	LT. BLUE	13/32 (10)	.11 (2.7)	.60 (15.2)	.31 (8)	.06 (1.6)	.05 (1.2)
FSD77-8-DSL2	18 (1.00)	RED*	13/32 (10)	.12 (3.0)	.60 (15.2)	.31 (8)	.07 (1.8)	.06 (1.5)
FS77-8-DSL4	18 (1.00)	YELLOW	13/32 (10)	.12 (3.0)	.60 (15.2)	.31 (8)	.07 (1.8)	.06 (1.5)
FSD78-8-DSL0	16 (1.50)	BLACK*	13/32 (10)	.13 (3.2)	.60 (15.2)	.31 (8)	.08 (2.1)	.07 (1.8)
FS78-8-DSL2	16 (1.50)	RED	13/32 (10)	.13 (3.2)	.60 (15.2)	.31 (8)	.08 (2.1)	.07 (1.8)
FSD80-8-DSL6	14 (2.50)	BLUE*	13/32 (10)	.16 (4.0)	.60 (15.2)	.31 (8)	.10 (2.6)	.09 (2.3)
FS80-8-DSL8	14 (2.50)	GRAY	13/32 (10)	.16 (4.0)	.60 (15.2)	.31 (8)	.10 (2.6)	.09 (2.3)



*INSULATION COLOR CONFORMS TO DIN SPECIFICATION

NOTES:

- MATERIAL:
 - A. STAMPING - COPPER, TIN PLATED
 - B. HOUSING - POLYPROPYLENE, COLOR CODED
- DIMENSIONS IN BRACKETS ARE IN mm OR mm²
- FOR TOLERANCING REFER TO DIN 46228 PART 4
- PACKAGE QTY.: 500 PCS. (10 STRIPS OF 50 PCS.)
- INSTALLATION TOOL: PANDUIT CT-1000



CAD FILENAME/LAYERS A41736

PANDUIT CORP. TINLEY PARK, ILLINOIS

INSULATED FERRULES ON STRIP

02	02/08	BCT	LCA	ADDED CSA LOGO AND CERTIFICATION NUMBER		LCA	RRE	UNLESS OTHERWISE SPECIFIED, DIMENSIONAL TOLERANCES ARE: (.X) ± (.XXX) ± (.XX) ± ANGLES ±	UNLESS OTHERWISE SPECIFIED, ALL DIMENSIONS ARE GIVEN IN INCHES, THIRD ANGLE PROJECTION.	
01	04/07	BCT	BCT	LENGTH CHANGED TO 'L'; ID-1 ADDED; CHANGED FSD75 & FSD76 P/NS	TRO0250	LCA	TRO			
"	"	"	"	ADDED '-8-' TO P/N FOR LENGTH; REMOVED 'D' FROM NON-DIN COLORED PARTS	"	"	"	DRAWN BY DAW	SCALE NONE	
00	01/07	DAW	DAW	RELEASED	TRO0208	LCA	TRO	DATE 01/08		
REV	DATE	BY	CHK	DESCRIPTION	ECN	CUST	PM	CHK'D	DWG NO. A41736	DWG SIZE A