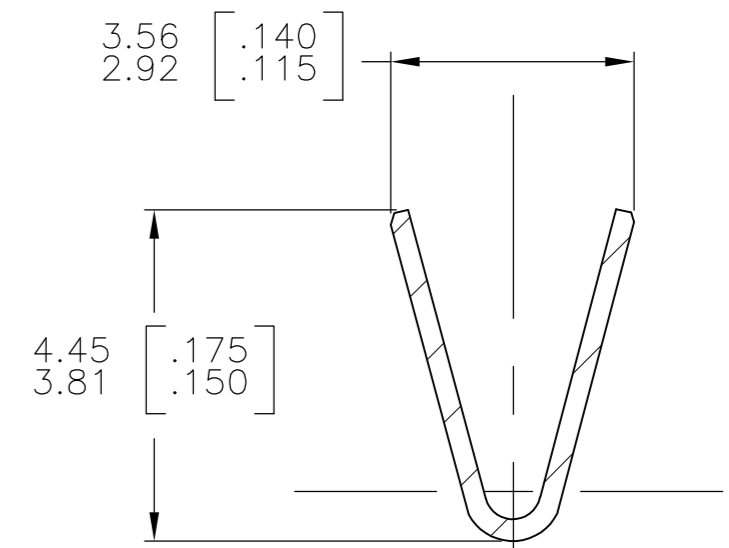
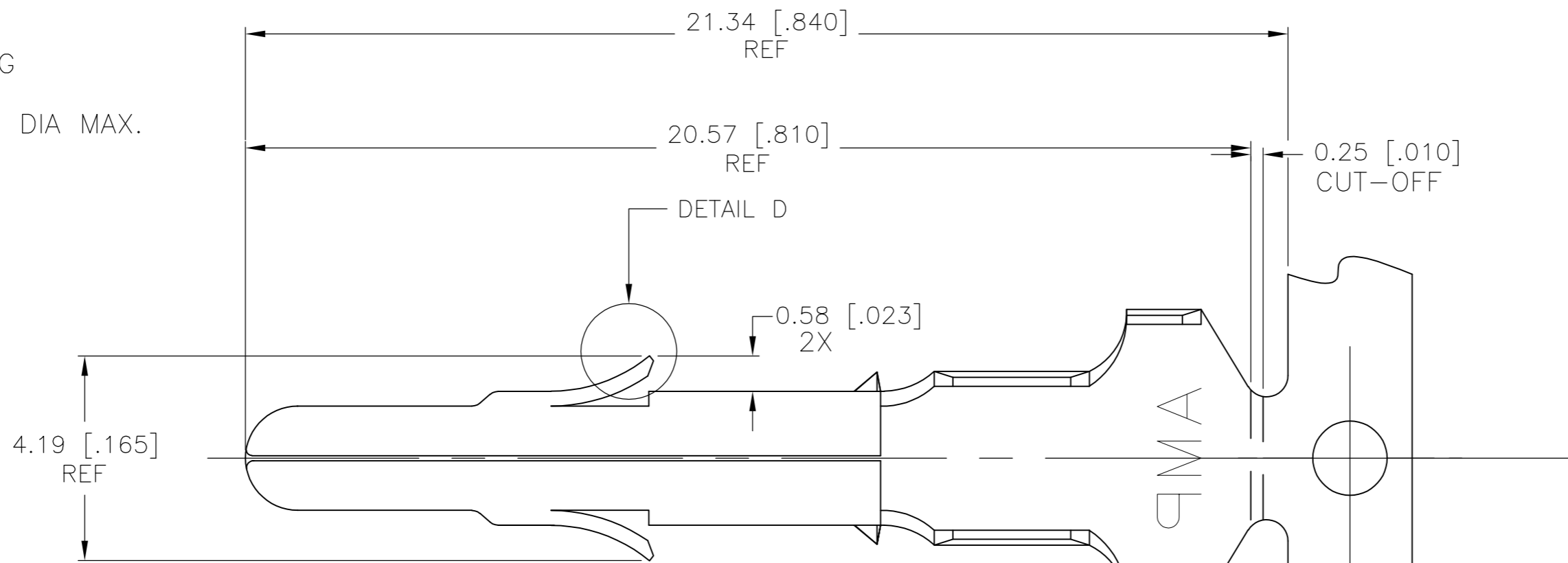


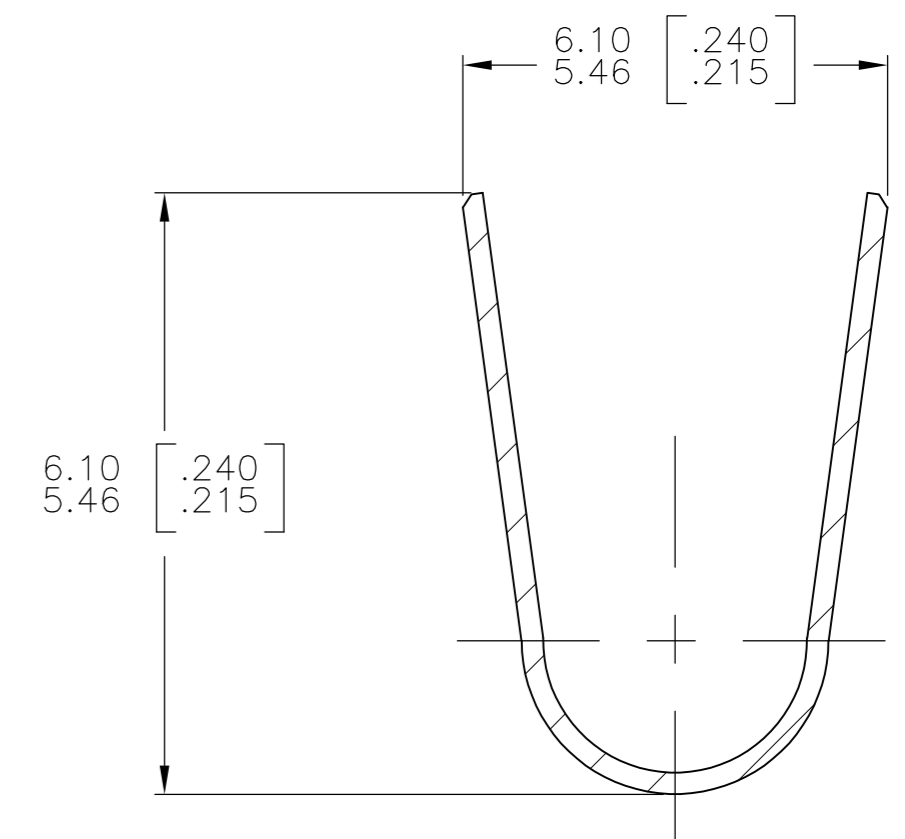
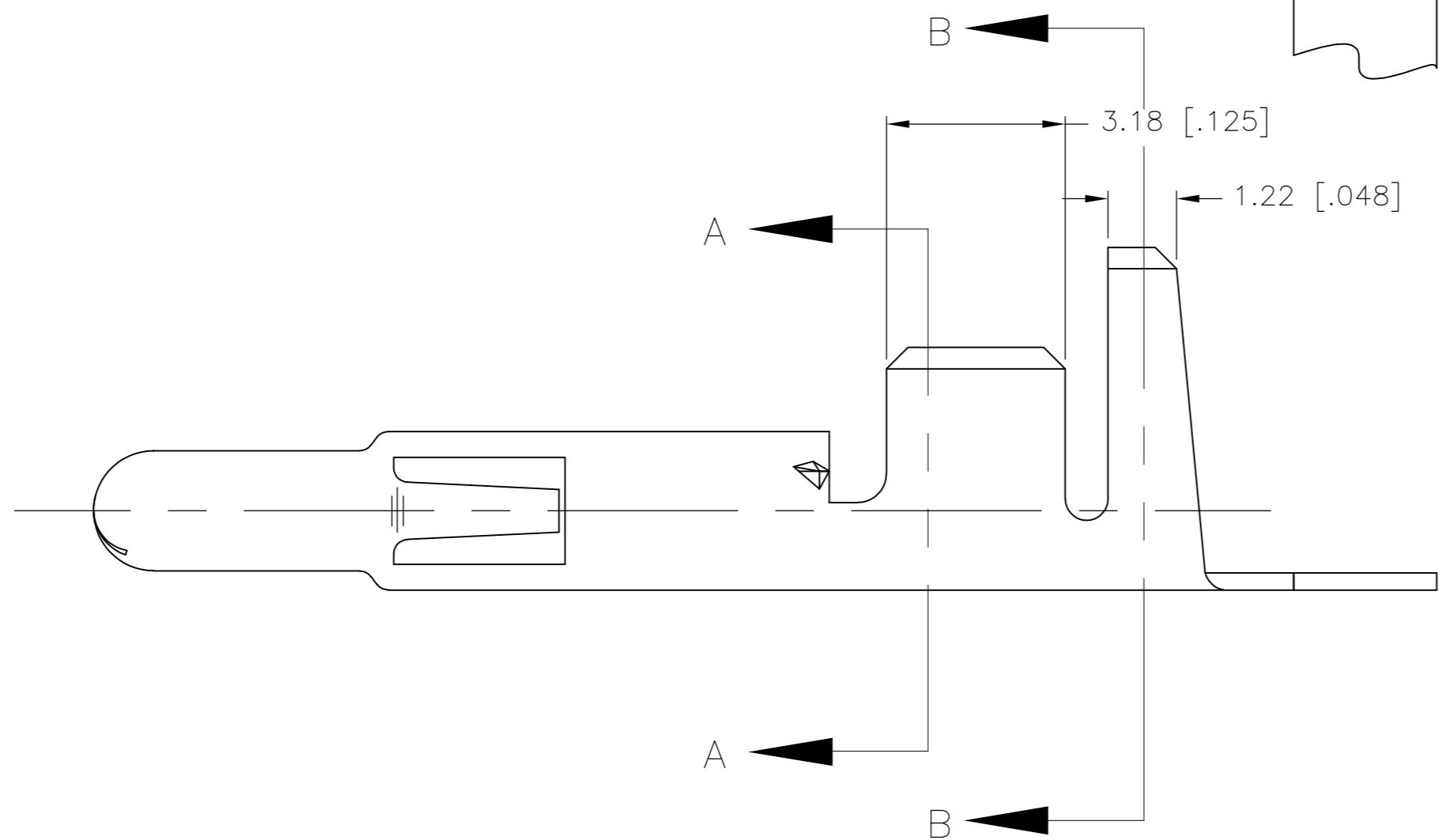
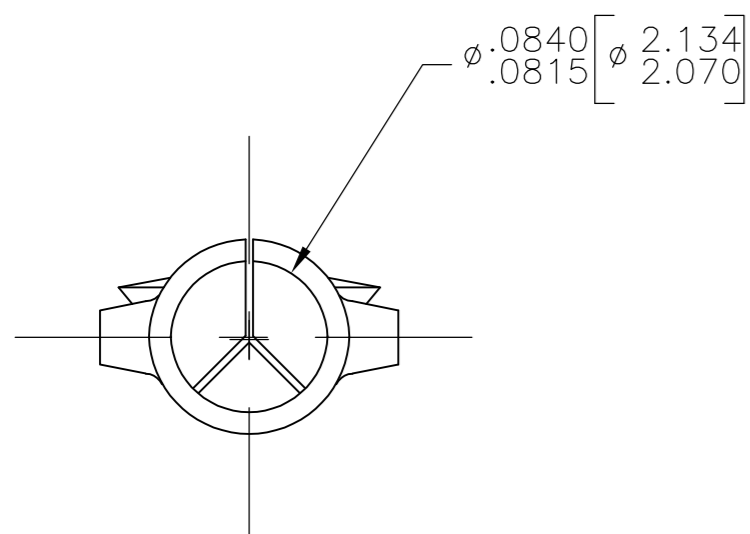
THIS DRAWING IS UNPUBLISHED. RELEASED FOR PUBLICATION  
 © COPYRIGHT - By - ALL RIGHTS RESERVED.

LOC		DIST		REVISIONS			
P	LTR	DESCRIPTION		DATE	DWN	APVD	
CM	00	U1		REVISED PER ECO-11-004917	11MAR11	RK HMR	

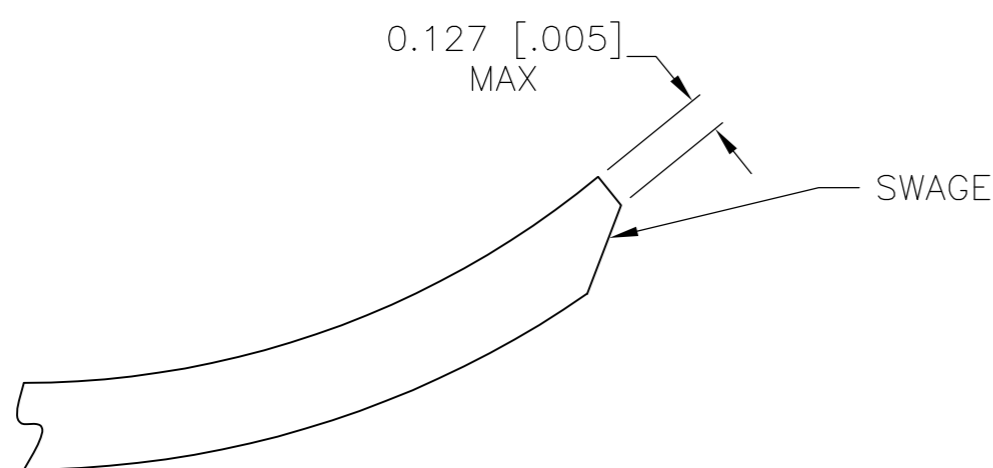
- 1. WIRE RANGE: 18-14 AWG
- 2. INSULATION RANGE: .200 DIA MAX.



SECTION A-A



SECTION B-B



DETAIL D

350918-3	PRE-TIN	.012 PH. BRZ.	350873-3
---	PRE-TIN	.012 BRASS	350873-1
LOOSE PIECE REFERENCE	FINISH	MATERIAL	PART NUMBER

THIS DRAWING IS A CONTROLLED DOCUMENT.		DWN	S. HOOVER	04-FEB-2003	TE Connectivity PIN, UNIVERSAL MATE-N-LOK™			
DIMENSIONS: mm [INCHES]		CHK	S. RIDGILL	04-FEB-2003				
TOLERANCES UNLESS OTHERWISE SPECIFIED:		APVD	S. RIDGILL	04-FEB-2003				
0 PLC ± 1 PLC ± 2 PLC ± 3 PLC ± 0.38 [.015] 4 PLC ± ANGLES ± 0°30'		PRODUCT SPEC						
MATERIAL	FINISH	WEIGHT	A2 00779 C=350873		SIZE	CAGE CODE	DRAWING NO	RESTRICTED TO
CUSTOMER DRAWING		SCALE		4:1	SHEET	1 of 1	REV	U1