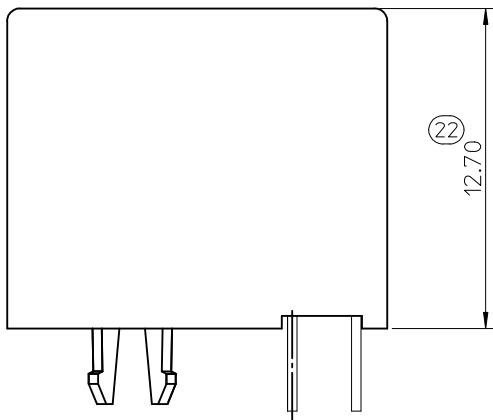


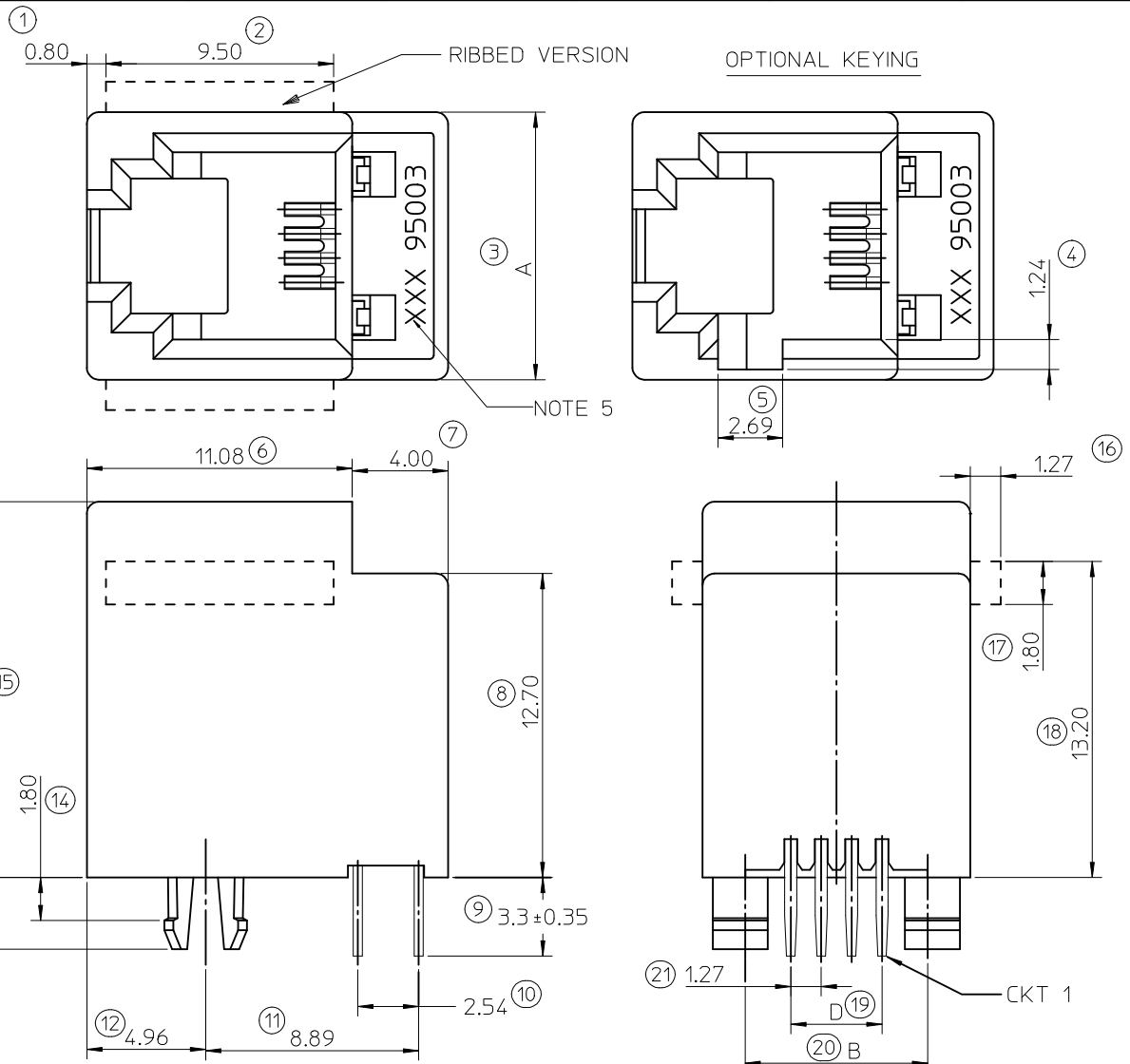
NOTES :

- 1- MATERIAL:
 -HOUSING: LCP FIBER GLASS FILLED UL 94-V0
 COLOR BLACK.
 -TERMINAL: COPPER ALLOY
 - BASE FINISH: NICKEL
 - CONTACT SURFACE FINISH
 GOLD
 OR
 GOLD FLASH OVER PALLADIUM NICKEL
 EXCEEDS PRODUCT REQUIREMENTS BASED ON PS-95503-001
- 2- JACK FOR MATING WITH F.C.C. 68 PLUGS
 90075 MOLEX SERIES.
3. P.C.B. THICKNESS: 1.57
- 4- PRODUCT SPECIFICATION PS-95503-001
- 5- PACKAGING SPECIFICATION:
 - STANDARD PACKAGING PK-95003 SHEET 1.
 - TUBE PACKAGING FOR SMT VERSION PK-95003 SHEET 2.
 - TUBE PACKAGING FOR THROUGH HOLE VERSION
 PK-95003 SHEET 3.
 - TAPE AND REEL PACKAGING FOR THROUGH HOLE PK-95503-001.
- 6- MANUFACTURING I.D. CAN BE MXF, MG OR MXI.
 INSPECTION NUMBERS USED: 1 - 50
 LAST INSPECTION NUMBER: 22

TYPE DIM.	POS. 4	POS. 6		POS. 8
	4 CKTS.	4 CKTS.	6 CKTS.	8 CKTS.
A	11.18	13.21	13.21	15.24
B	7.62	10.16	10.16	11.43
D	3.81	3.81	6.35	8.89



SHORT VERSION



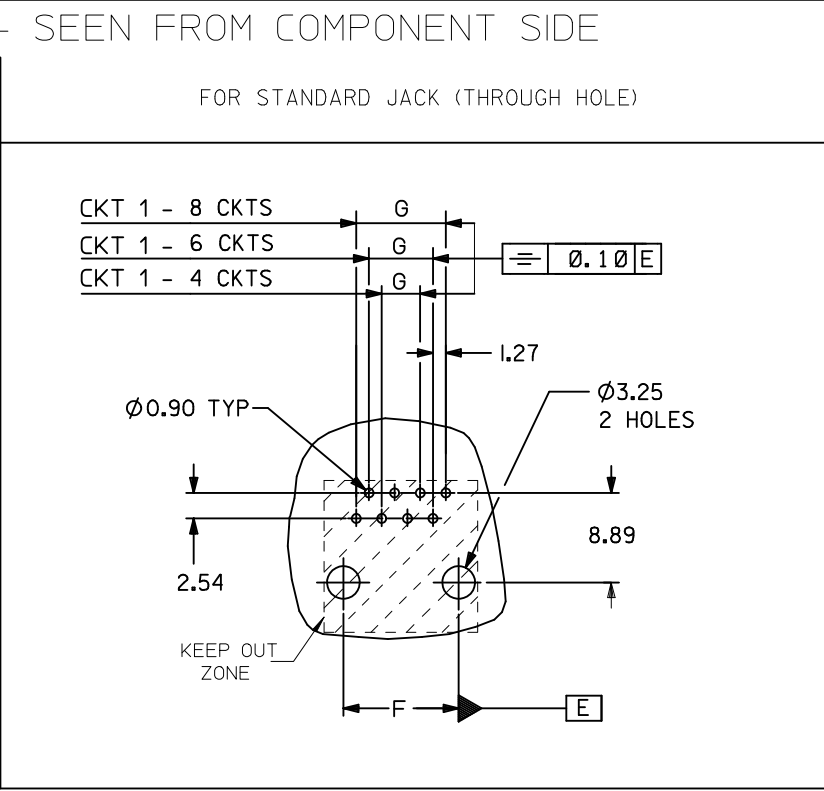
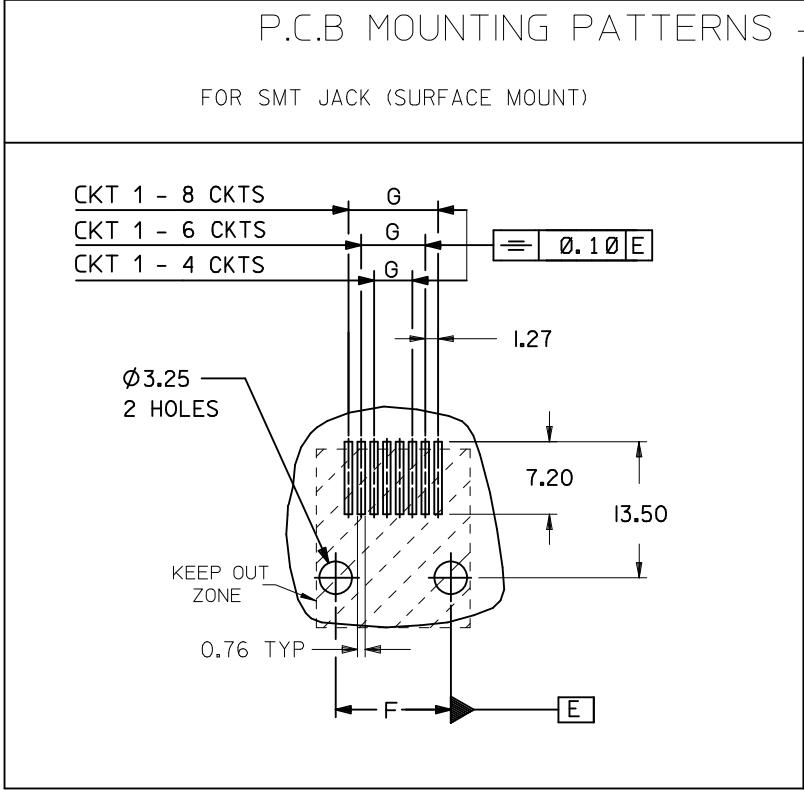
MODIFIED PLATING OPTION EC NO: IPG2012-0589 DRW:DBYRNES 2012/03/29 CHKD:MSHAHAN 2012/03/30 APPR:EFOLAN 2012/06/28	QUALITY SYMBOLS	GENERAL TOLERANCES (UNLESS SPECIFIED)	DIMENSION STYLE	SCALE	DESIGN UNITS	THIRD ANGLE PROJECTION
	▼=0 ◻=0	mm INCH 4 PLACES ± --- ± --- 3 PLACES ± --- ± --- 2 PLACES ± 0.15 ± --- 1 PLACE ± 0.25 ± --- ANGULAR ± .5 °	MM ONLY	5:1	METRIC	
	DESCRIPTION	DRAFT WHERE APPLICABLE MUST REMAIN WITHIN DIMENSIONS	DRAWN BY DATE	TITLE		
	REV		TMARTIN 2005/06/15	LOW PROFILE TOP ENTRY JACK (THROUGH HOLE VERSION)		
			CHECKED BY DATE	MOLEX INCORPORATED		
			FCARABETTA 2005/06/15	DOCUMENT NO.		
			APPROVED BY DATE	SD-95503-003		
			KNOLLER 2005/06/15	SHEET NO.		
			MATERIAL NO.	1 OF 5		
			SEE SHT 4,5	THIS DRAWING CONTAINS INFORMATION THAT IS PROPRIETARY TO MOLEX INCORPORATED AND SHOULD NOT BE USED WITHOUT WRITTEN PERMISSION		

TYPE DIM.	POS. 4	POS. 6		POS. 8
	4 CKTS.	4 CKTS.	6 CKTS.	8 CKTS.
F ±0.05	7.62	10.16	10.16	11.43
G ±0.05	3.81	3.81	6.35	8.89

P.C.B MOUNTING PATTERNS - SEEN FROM COMPONENT SIDE

FOR SMT JACK (SURFACE MOUNT)

FOR STANDARD JACK (THROUGH HOLE)



NOTES:

ALL DIMENSIONS REF DIMENSIONS

REMOVED INCHES EC NO: E2012-0079 DRWN: JCONNOR 2011/03/04 CHKD: APPR: EFOLAN 2011/09/28 REV DESCRIPTION	QUALITY SYMBOLS	GENERAL TOLERANCES (UNLESS SPECIFIED)	DIMENSION STYLE	SCALE	DESIGN UNITS	THIRD ANGLE PROJECTION	
	▽=0 □=0	mm INCH 4 PLACES ± --- ± --- 3 PLACES ± --- ± --- 2 PLACES ± 0.15 ± --- 1 PLACE ± 0.25 ± --- ANGULAR ± .5 °	MM ONLY	1:1	METRIC		
		DRAFT WHERE APPLICABLE MUST REMAIN WITHIN DIMENSIONS	DRAWN BY DATE TMARTIN 2005/06/15 CHECKED BY DATE FCARABETTA 2005/06/15 APPROVED BY DATE KNOLLER 2005/06/15	TITLE	LOW PROFILE T/E JACK		
			MATERIAL NO.	MOLEX INCORPORATED DOCUMENT NO. SD-95503-003		SHEET NO. 3 OF 5	

HOUSING SIZE	LOADED CONTACTS
4	4
6	4
6	6
8	8

— PART NO FOR JACK ASSEMBLY —
THROUGH HOLE STANDARD VERSION

LCP FIBER GLASS FILLED 94V0 COLOR BLACK					
NO KEY	TOOLED	KEY	TOOLED		TOOLED
NO RIB	TOOLED	NO RIB	TOOLED		TOOLED
95503-2441	X				
95503-2641	X				
95503-2661	X				
95503-2881	X	95503-2882	X		

TRAY PACKAGING
SEE PACKAGING SPEC PK-95003 SHEET 1

— PART NO FOR JACK ASSEMBLY —
THROUGH HOLE SHORT VERSION

LCP FIBER GLASS FILLED 94V0 COLOR BLACK					
NO KEY	TOOLED	KEY	TOOLED		TOOLED
NO RIB	TOOLED	NO RIB	TOOLED		TOOLED
95503-2884	X				

TRAY PACKAGING
SEE PACKAGING SPEC PK-95003 SHEET 1

— PART NO FOR JACK ASSEMBLY —
THROUGH HOLE STANDARD VERSION

LCP FIBER GLASS FILLED 94V0 COLOR BLACK					
NO KEY	TOOLED	KEY	TOOLED		TOOLED
NO RIB	TOOLED	NO RIB	TOOLED		TOOLED
95503-2440	X				
95503-2640					
95503-2660					
95503-2880	X				

TAPE AND REEL PACKAGING
SEE PACKAGING SPEC PK-95503 SHEET 1

TOOLED	X
NOT TOOLED	

NOTES:
PLATING: SEE SHEET ONE

ADDED PLATING OPTION EC NO: IPG2013-0151 DRW: DBYRNES 2012/07/31 CHK: SMC GREVY 2012/07/31 APPR: J WALLACE 2012/07/31	QUALITY SYMBOLS	GENERAL TOLERANCES (UNLESS SPECIFIED)	DIMENSION STYLE MM ONLY	SCALE ---	DESIGN UNITS METRIC	THIRD ANGLE PROJECTION	
	▽=0 ◻=0	mm INCH 4 PLACES ± --- ± --- 3 PLACES ± --- ± --- 2 PLACES ± --- ± --- 1 PLACE ± --- ± --- ANGULAR ± ---°	DRAWN BY: TMARTIN DATE: 2005/06/16 CHECKED BY: FCARABETTA DATE: 2005/06/16 APPROVED BY: KNOLLER DATE: 2005/06/16	TITLE	LOW PROFILE T/E JACK THROUGH HOLE VERS.		
	DRAFT WHERE APPLICABLE MUST REMAIN WITHIN DIMENSIONS	SEE CHART	MATERIAL NO.	DOCUMENT NO.		SHEET NO.	
			SIZE A3	THIS DRAWING CONTAINS INFORMATION THAT IS PROPRIETARY TO MOLEX INCORPORATED AND SHOULD NOT BE USED WITHOUT WRITTEN PERMISSION			