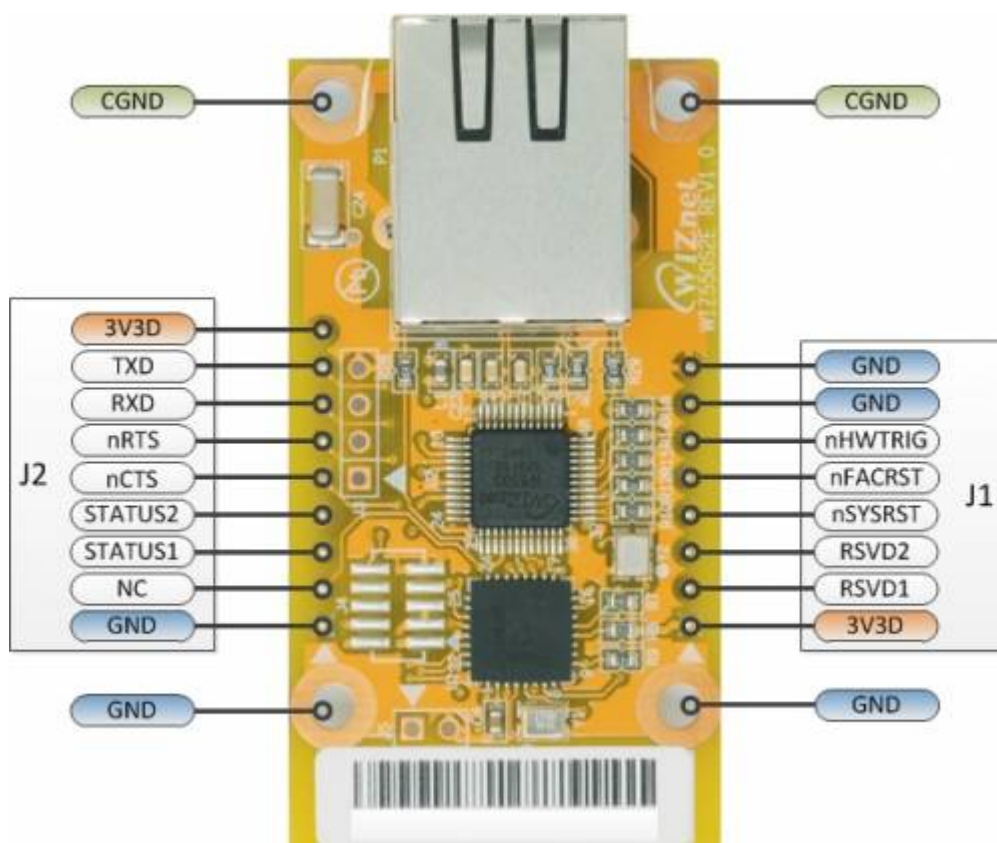


WIZ550S2E Datasheet
Overview

This page describes hardware specification of WIZ550S2E with EVB.

Hardware Configuration
WIZ550S2E

- MCU LPC11E36FHN33
- TCP/IP Controller W5500
- RJ45(Integrated Transformer)
- 2.54mm Header x2



Pin Description

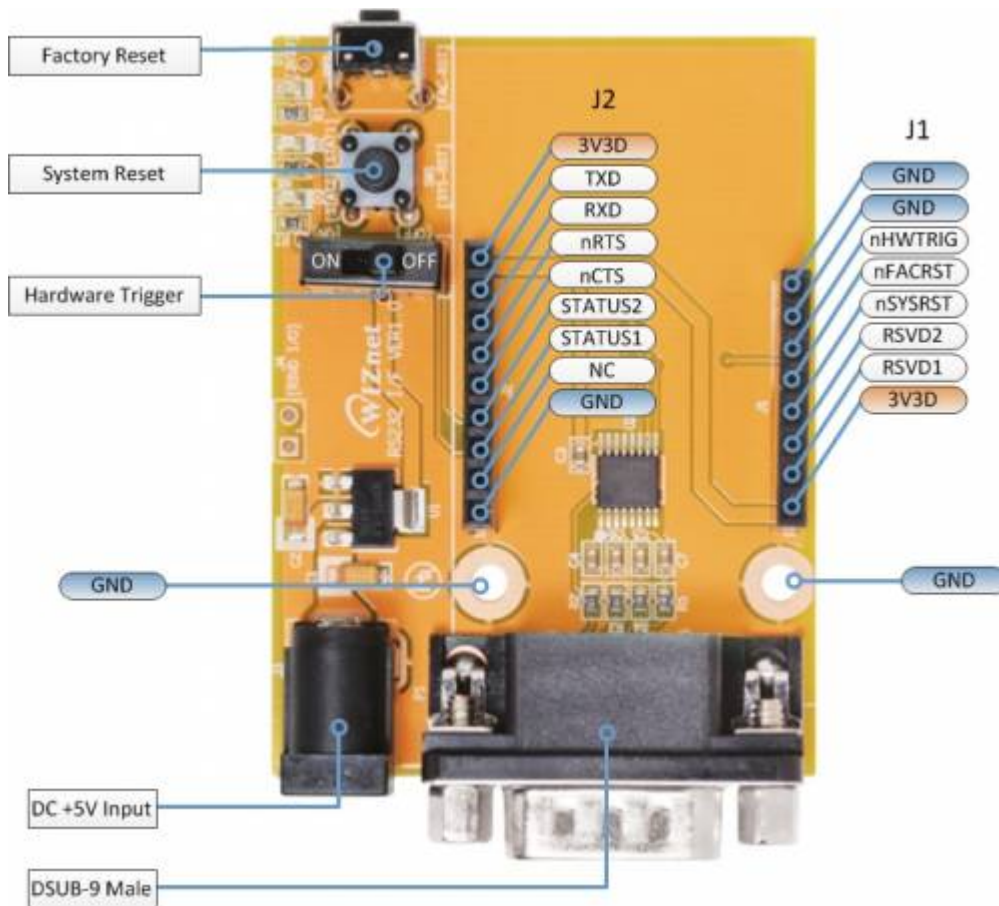
Ref No.	Pin No.	Symbol	Type	Description
J1	1	3V3D	P	Supply DC+3.3V
	2	RSVD1	I/O	Reserved I/O
	3	RSVD2	I/O	Reserved I/O
	4	nSYRST	I	System reset input. Active Low.
	5	nFACRST	I	Factory reset input. Active Low.
	6	nHWTRIG	I	Hardware Trigger input Active Low.
	7	GND	P	Power Ground
	8	GND	P	Power Ground

Ref No.	Pin No.	Symbol	Type	Description
---------	---------	--------	------	-------------

J2	1	GND	P	Power Ground
	2	NC	-	No connection
	3	STATUS1	O	Output for LED Display
	4	STATUS2	O	Output for LED Display
	5	nCTS	I	Clear To Send input for UART
	6	nRTS	O	Request To Send output for UART. This pin also serves as the RS485 control.
	7	RXD	I	Receiver input for UART
	8	TXD	O	Transmitter output for UART
	9	3V3D	P	Supply DC+3.3V

WIZ550S2E-232-EVB

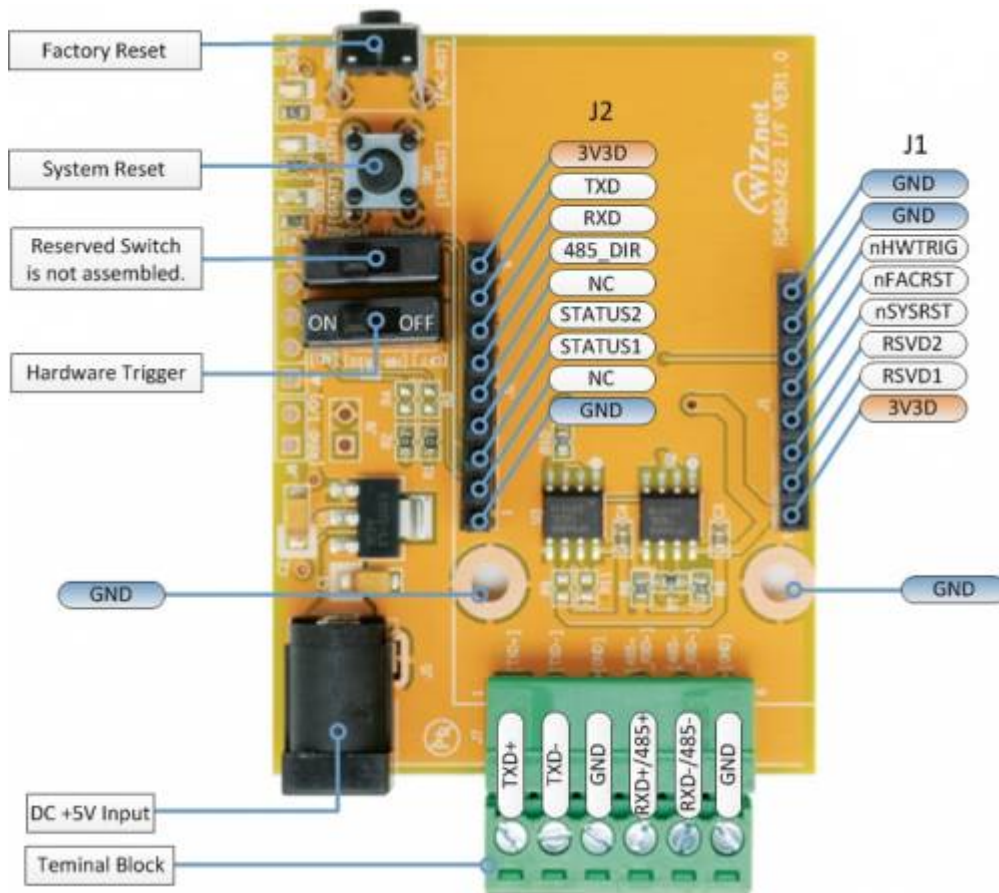
- Line Driver SP3232EBEY
- System Reset Switch
- Factory Reset Switch
- Hardware-Trigger Mode Switch
- Status LEDs
- DC-Jack (for +5V Input Power)





WIZ550S2E-485/422-EVB

- Line Driver SP3485EN
- System Reset Switch
- Factory Reset Switch
- Hardware-Trigger Mode Switch
- Status LEDs
- DC-Jack (for +5V Input Power)





Characteristic

WIZ550S2E Operating Voltage	DC+3.3V
EVB DC Jack Input Power	DC+5.0V Adaptor(Plug type: Outdiameter5.5Pi-Caliber2.1Pi)
Current Consumption	TBD
Operating Temperature	-40 ~ 85 °C

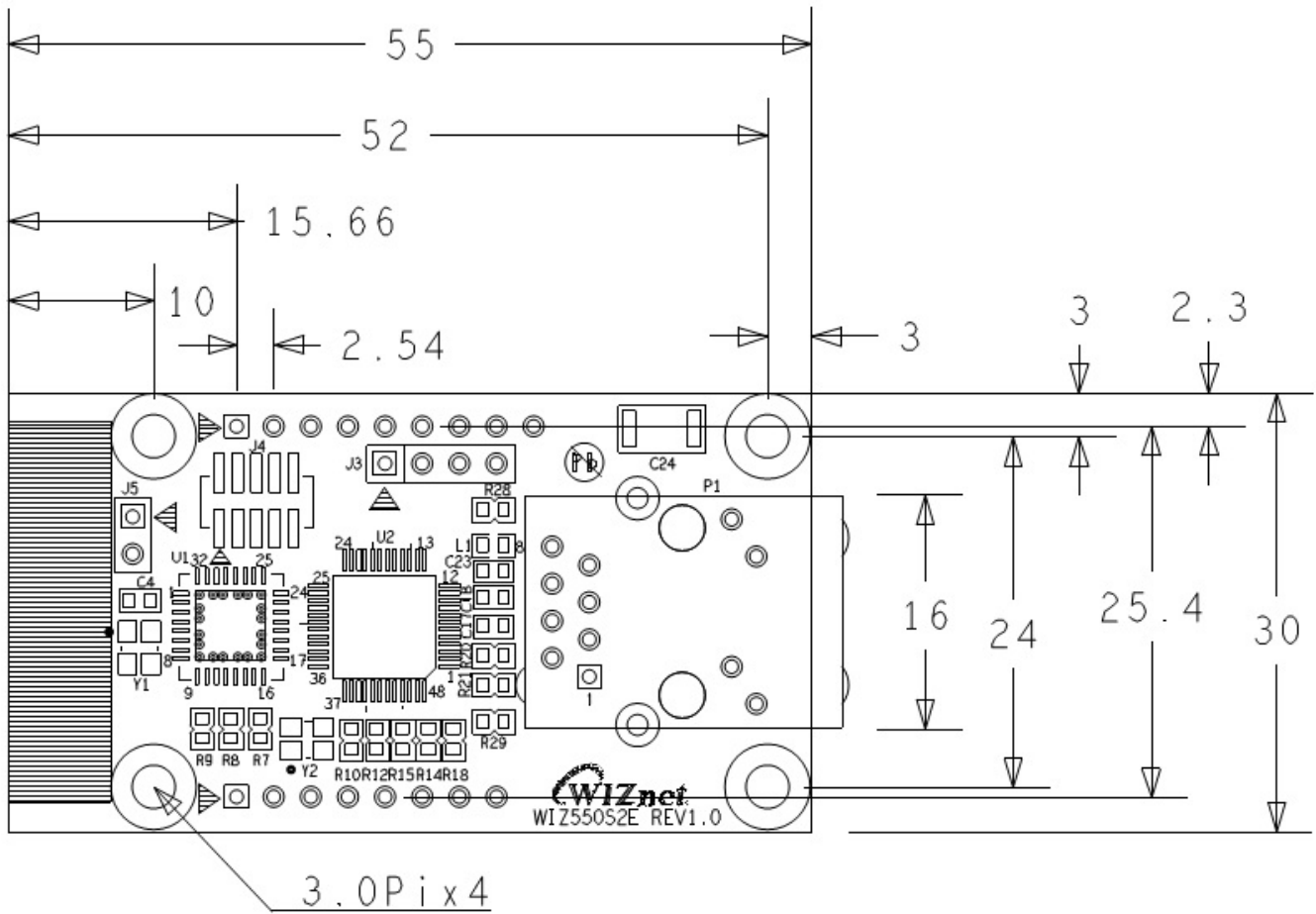
Schematic

List	Version	Schematic
WIZ550S2E	1.0	wiz550s2e_v1_0.pdf
WIZ550S2E-232-EVB	1.0	rs232if_v1_0.pdf
WIZ550S2E-485/422-EVB	1.0	rs485-422if_v1_0.pdf

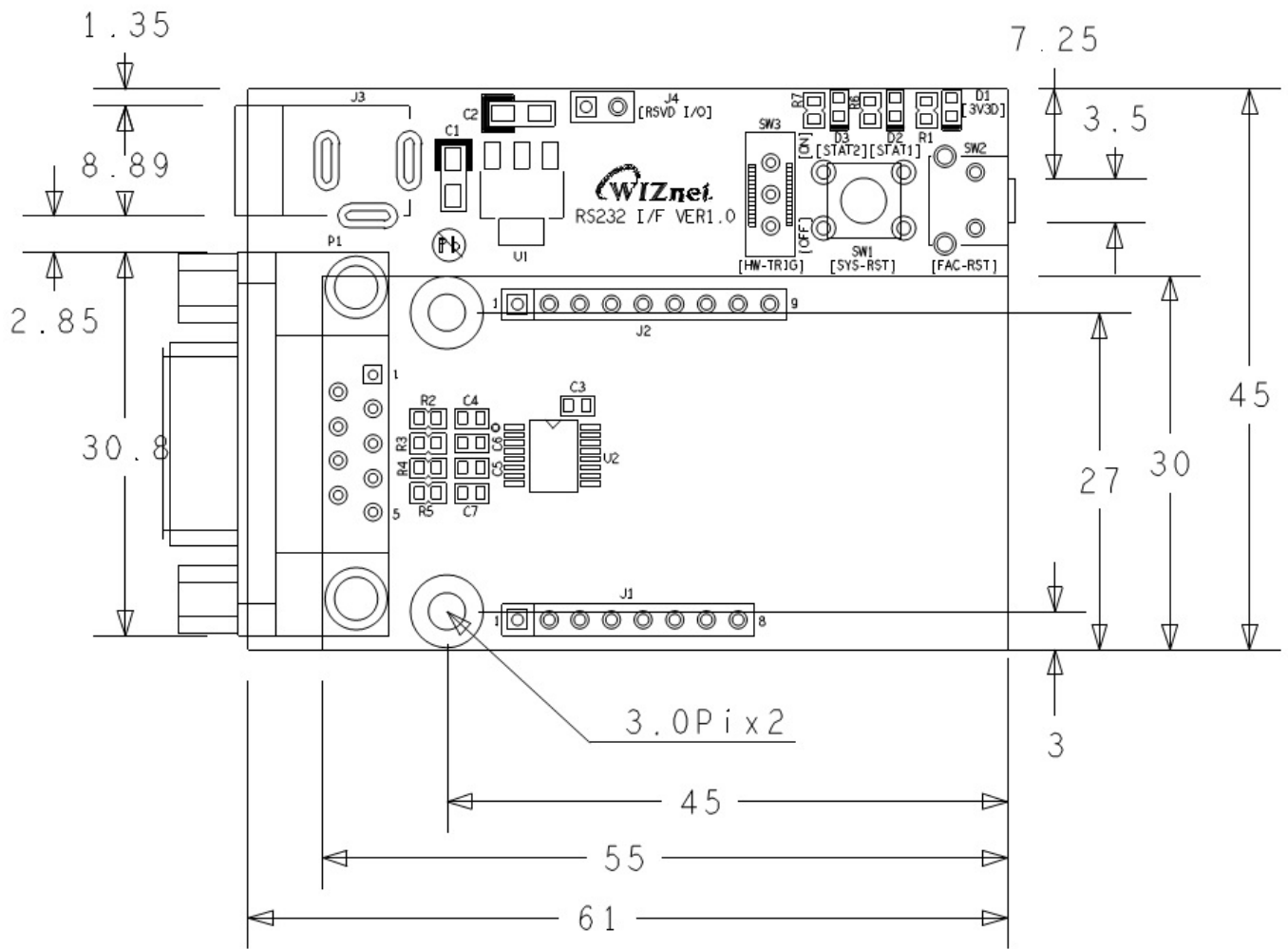
Dimension

(Unit: mm)

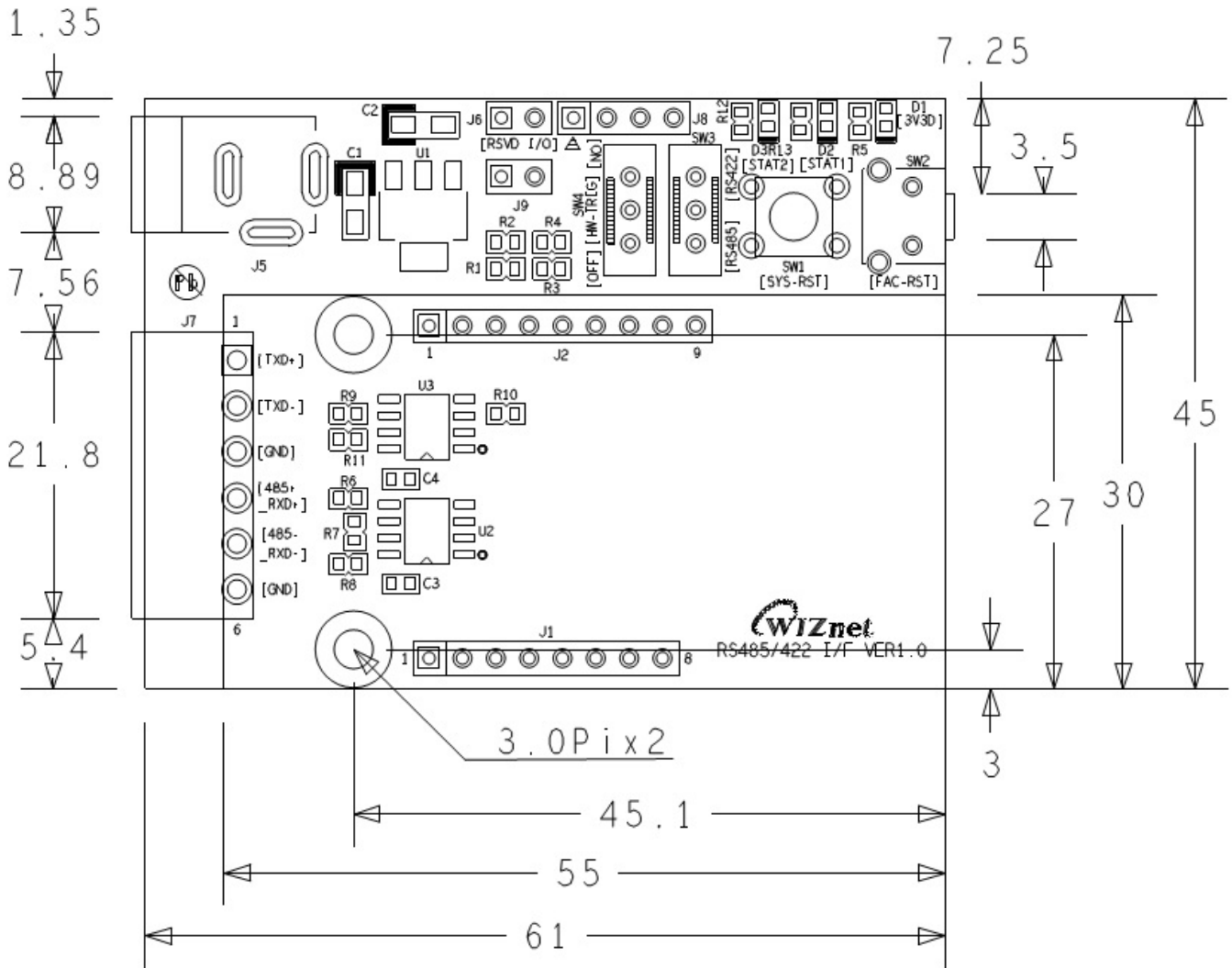
- WIZ550S2E



- WIZ550S2E-232-EVB



- WIZ550S2E-485/422-EVB



From:
<http://wizwiki.net/wiki/> -

Permanent link:
<http://wizwiki.net/wiki/doku.php?id=products:wiz550s2e:wiz550s2eds:start>

Last update: **2014/06/02 11:10**

Mouser Electronics

Authorized Distributor

Click to View Pricing, Inventory, Delivery & Lifecycle Information:

[WIZnet:](#)

[WIZ550S2E](#) [WIZ550S2E-232](#) [WIZ550S2E-485](#) [WIZ550S2E-232-EVB](#) [WIZ550S2E-485-EVB](#)