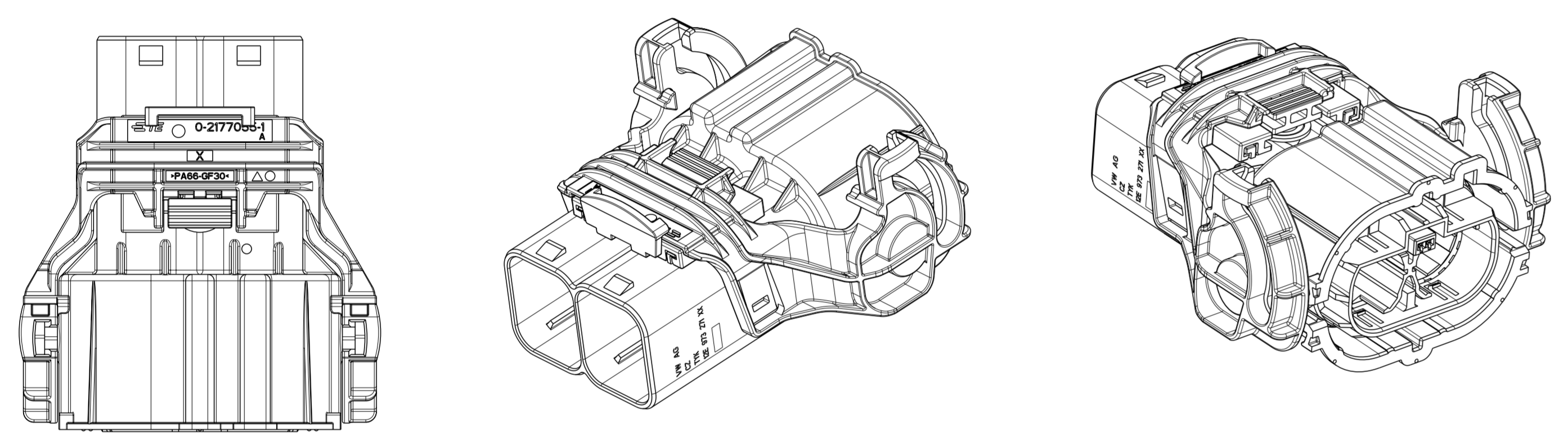
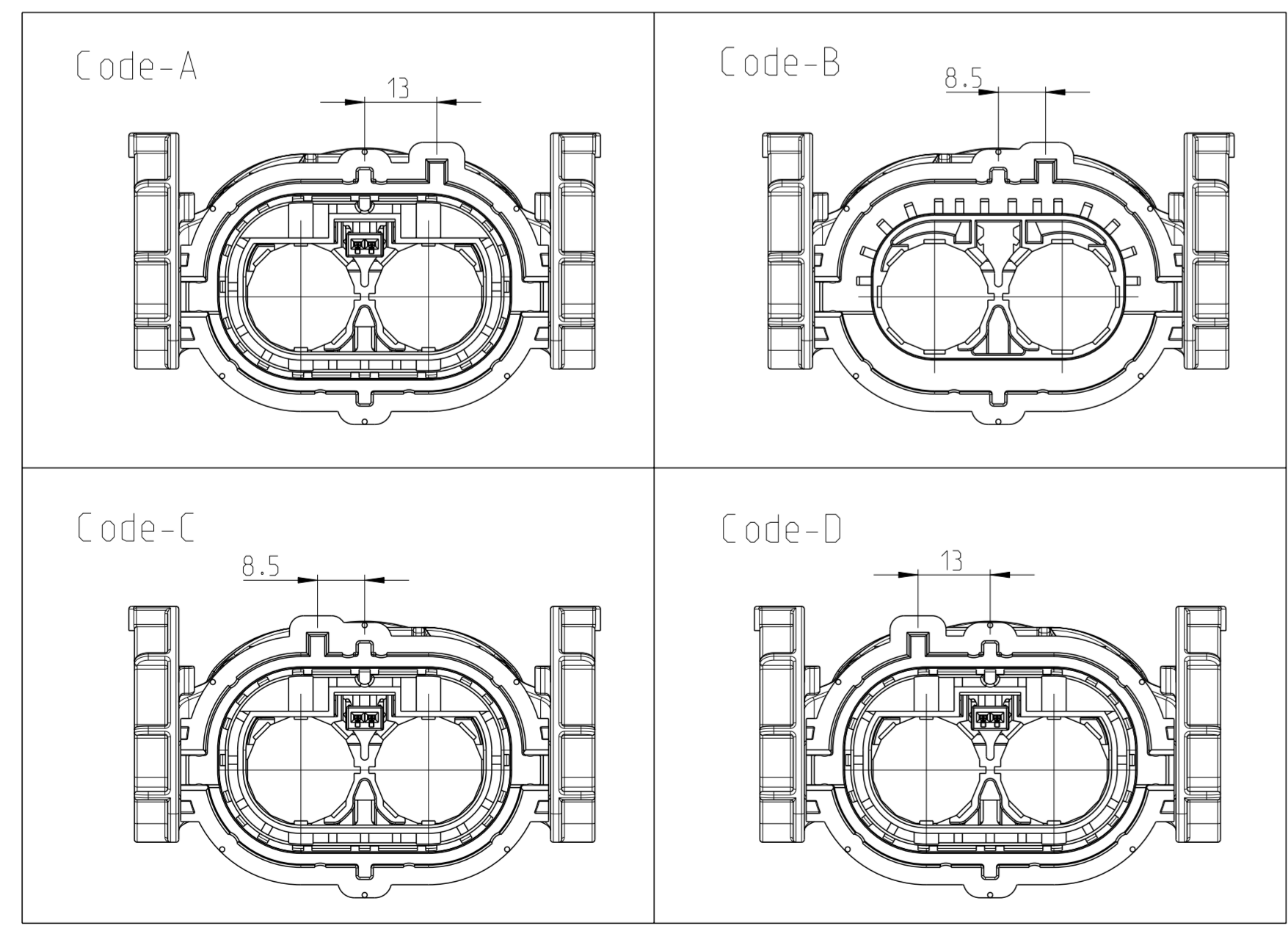


1- -1 AS SHOWN
 wie gezeichnet
 SCALE 1:1

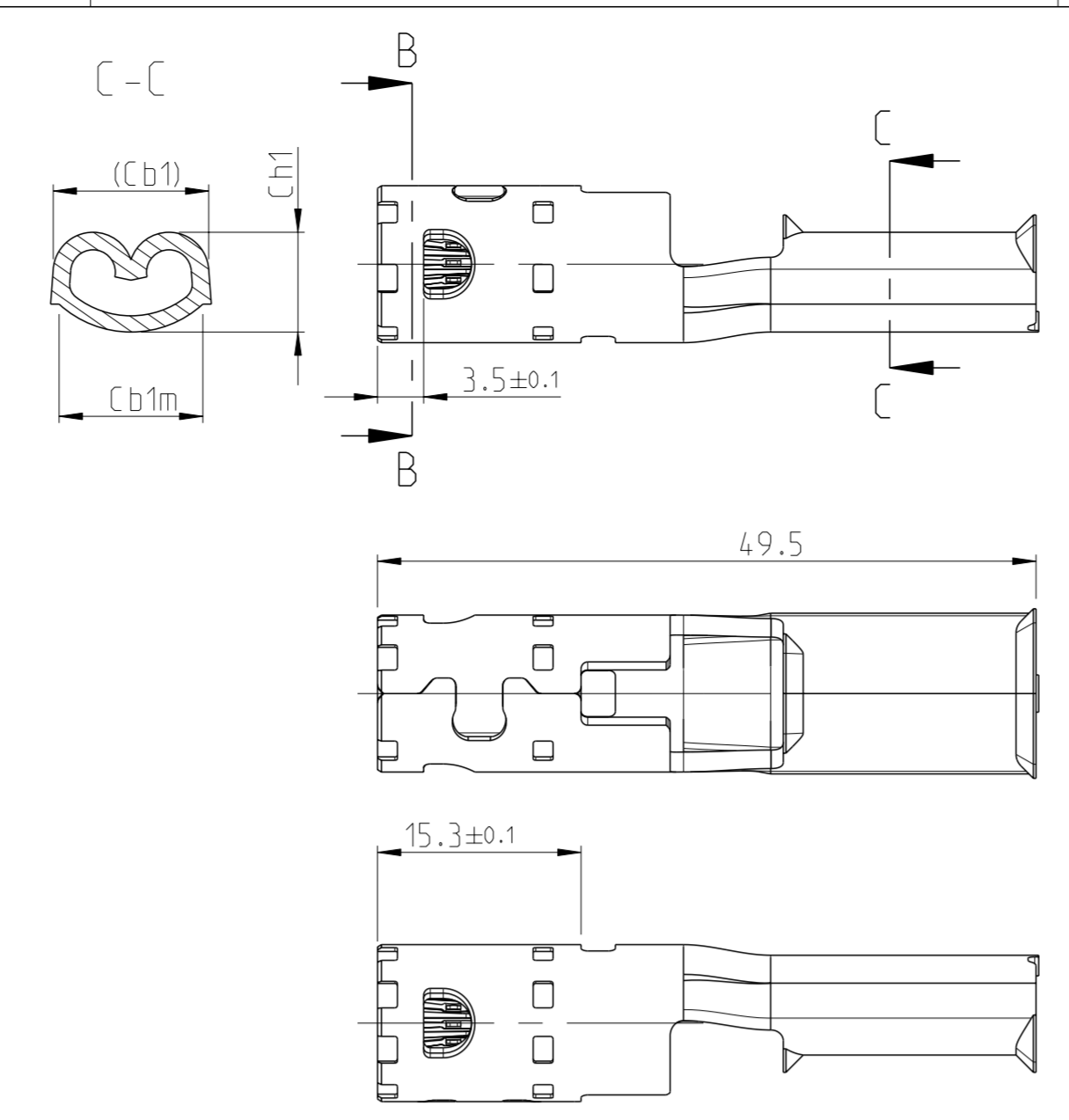


1- -2 AS SHOWN
 wie gezeichnet
 SCALE 1:1

Codings
 Scale 1:1

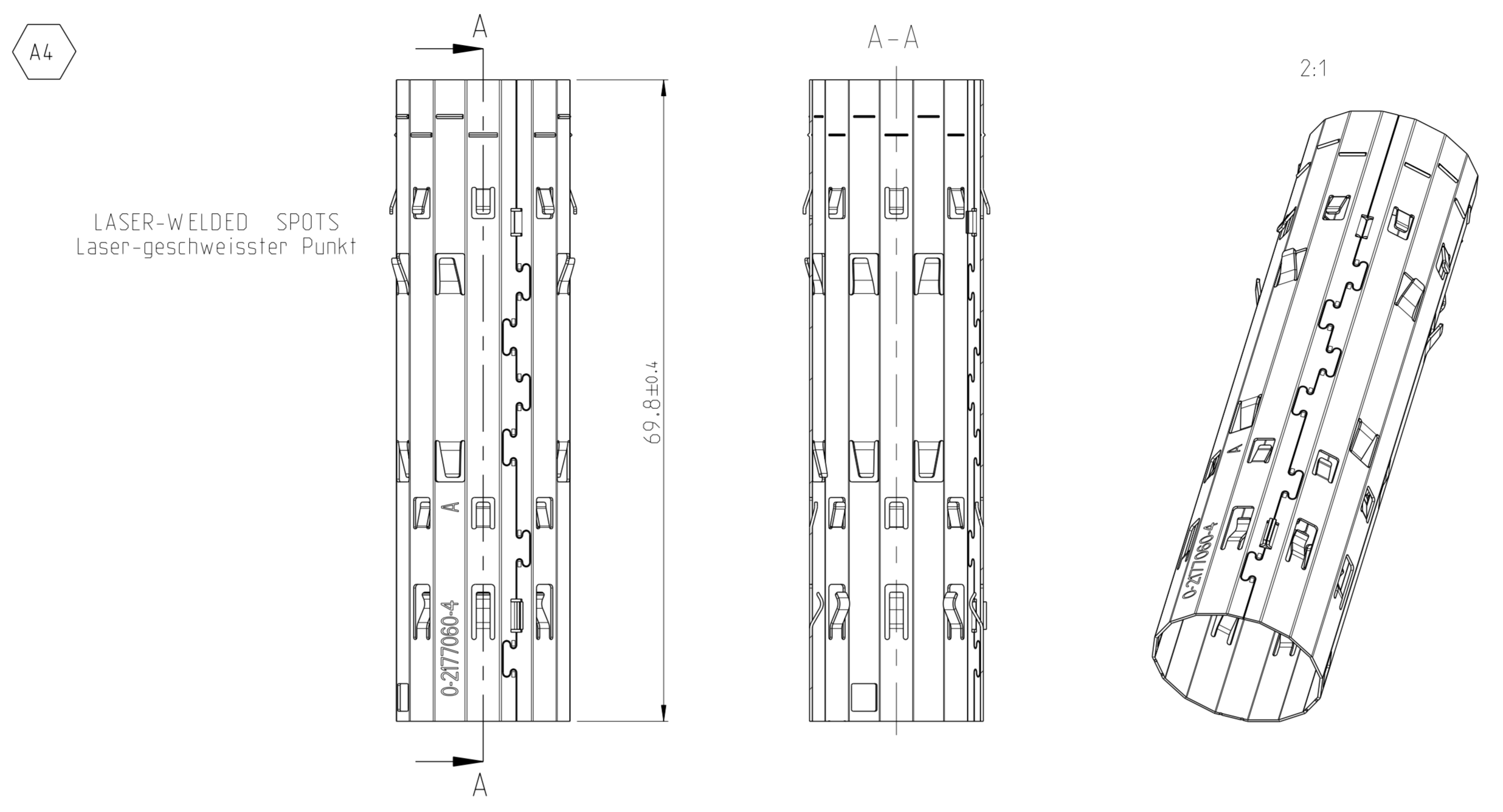


POS	DESCRIPTION
1	2POS, 8MM HV, REC HSG, 180°, ASSY, SEALED 2pol., gedichtete Assy, 8mm HV, 180°



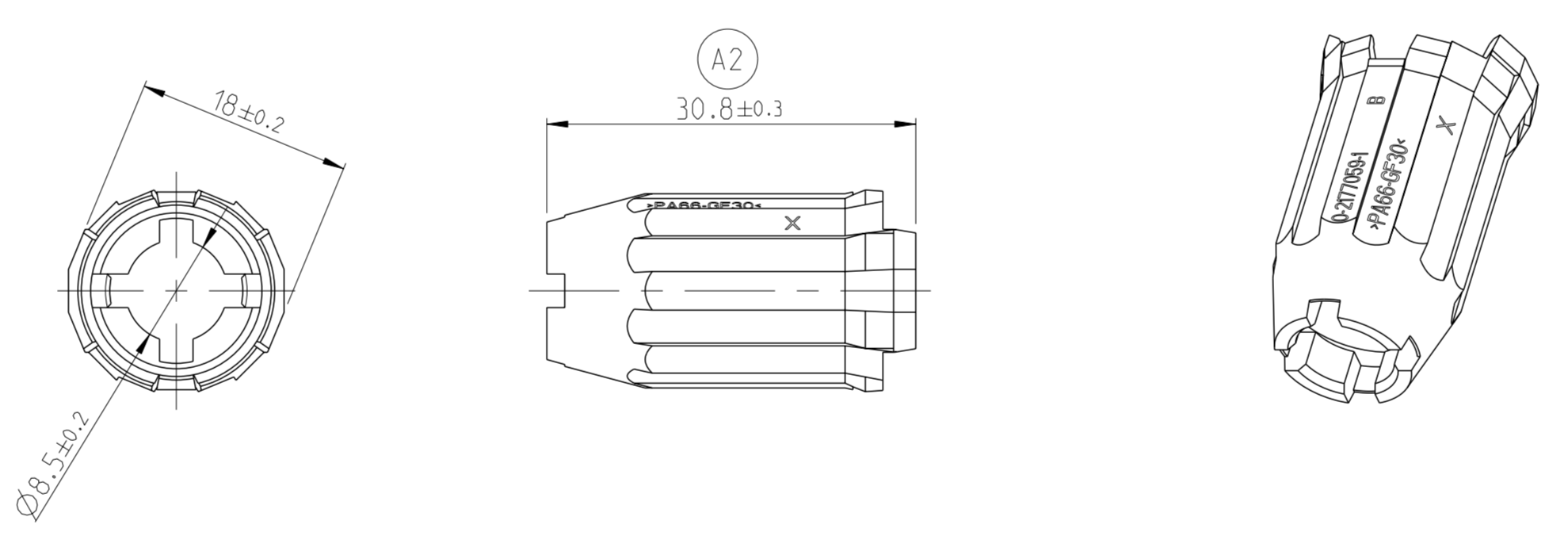
0-2208669-3	16	9.65	9.65-0.97	5.85±0.10
0-2208669-3	25			6.50±0.10
0-2208608-3	35	11.70	11.70-1.17	7.50±0.15
0-2208608-3	50			8.45±0.15
TE-ORDER-NO.	Wire Size (mm ²)	Cb1 (mm)	Cb1m (mm)	Ch1 (mm)
TE-Bestell-Nr.				

POS	DESCRIPTION
2	HV 8mm Socket Terminal, 180 DEG HV 8mm Buchsenkontakt, 180 Grad

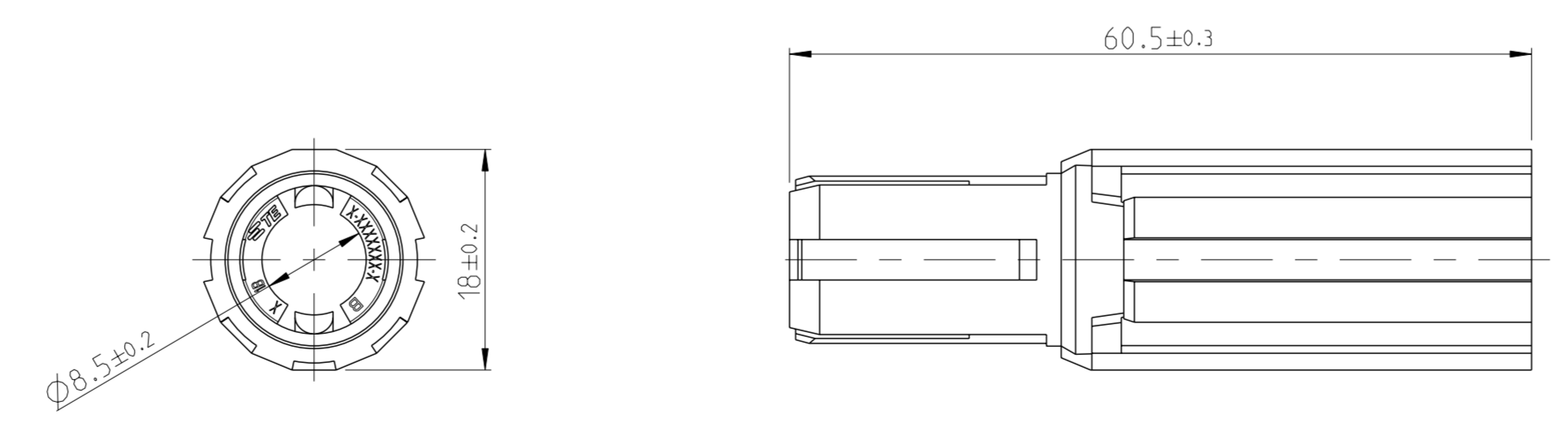


A4
 LASER-WELDED SPOTS
 Laser-geschweisster Punkt

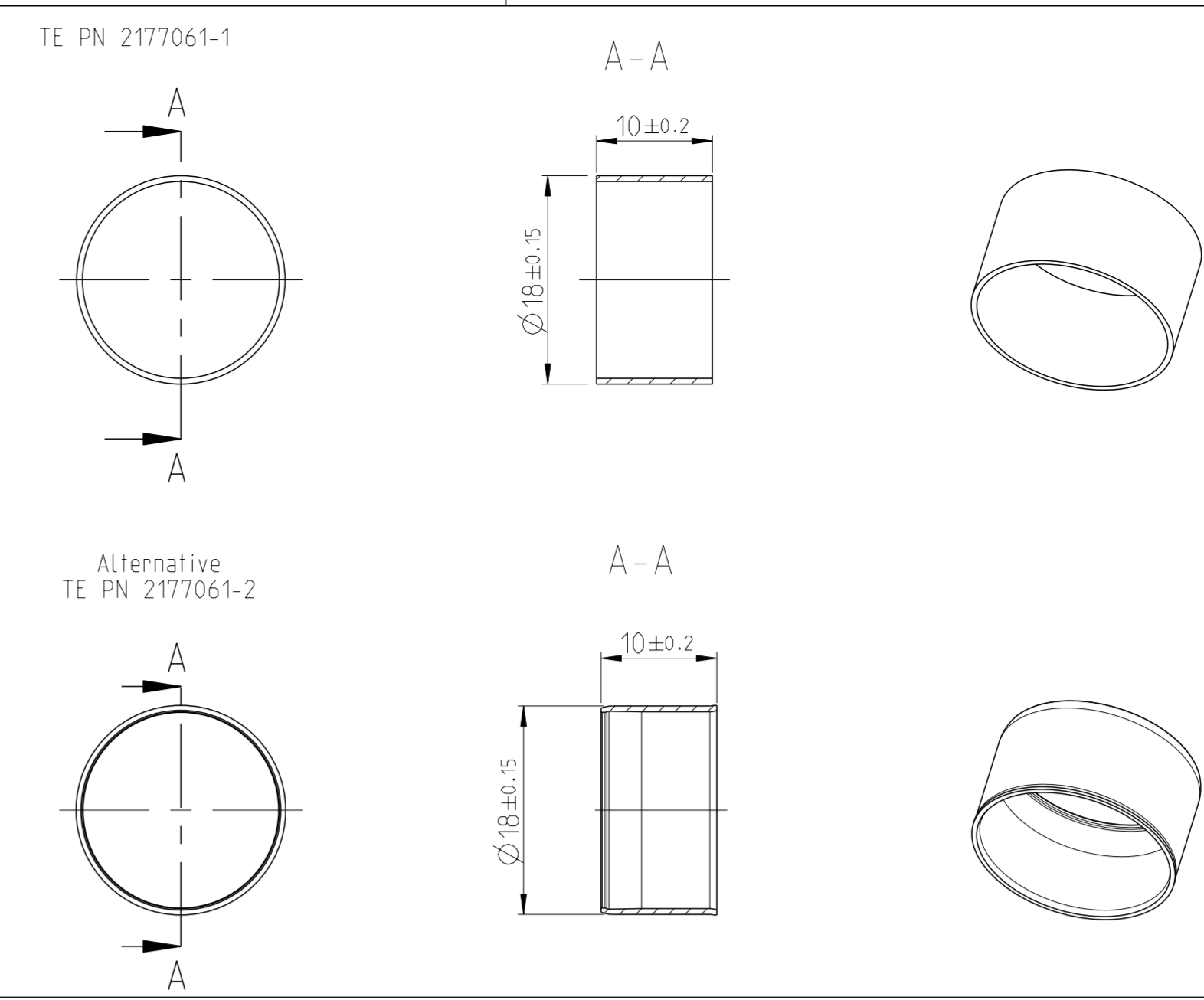
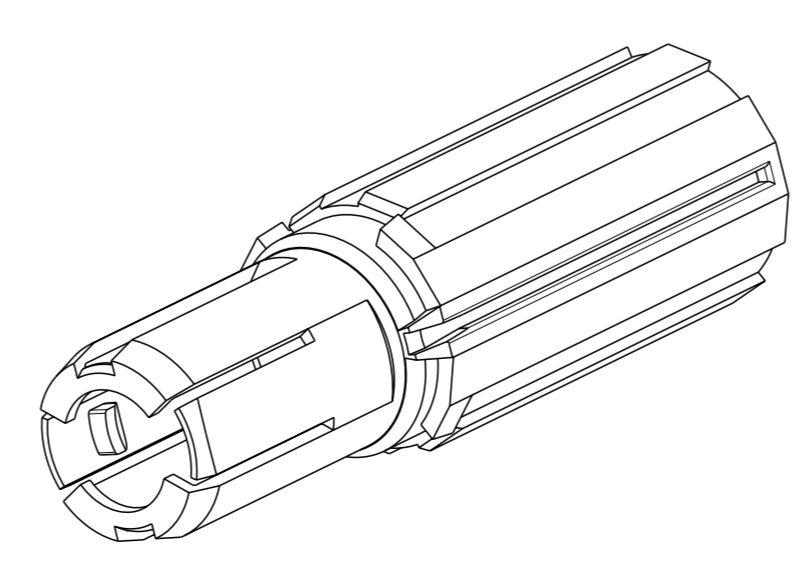
POS	DESCRIPTION
3	SHIELDING SLEEVE, 180° Schirmhülse, 180°



POS	DESCRIPTION
4	FINGER PROT CAP 8MM HV, 180° Fingerschutzkappe 8mm HV, 180°



POS	DESCRIPTION
5	INSULATION INSERT 180° Isolationskörper 180°

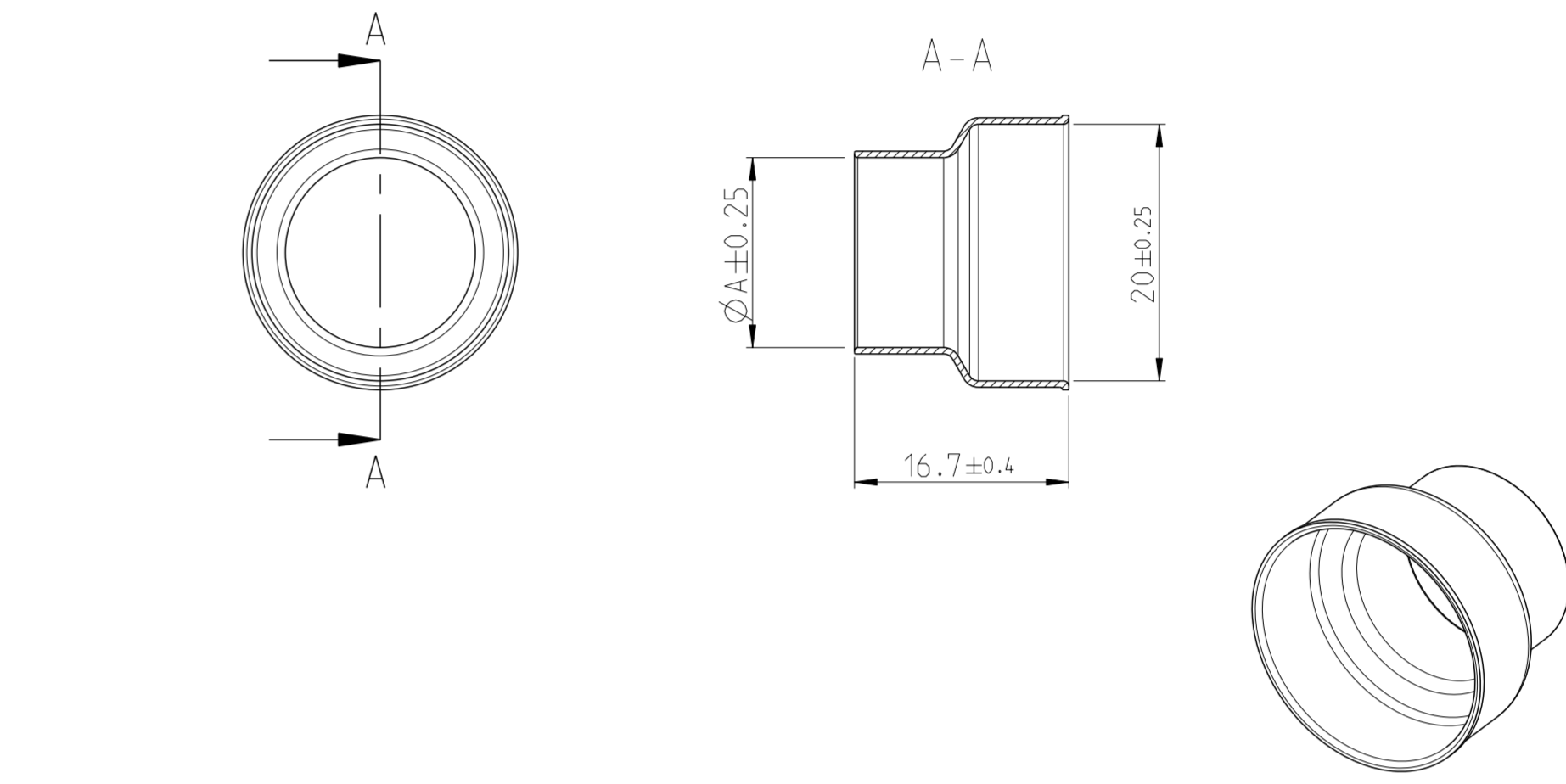


TE PN 2177061-1

Alternative
 TE PN 2177061-2

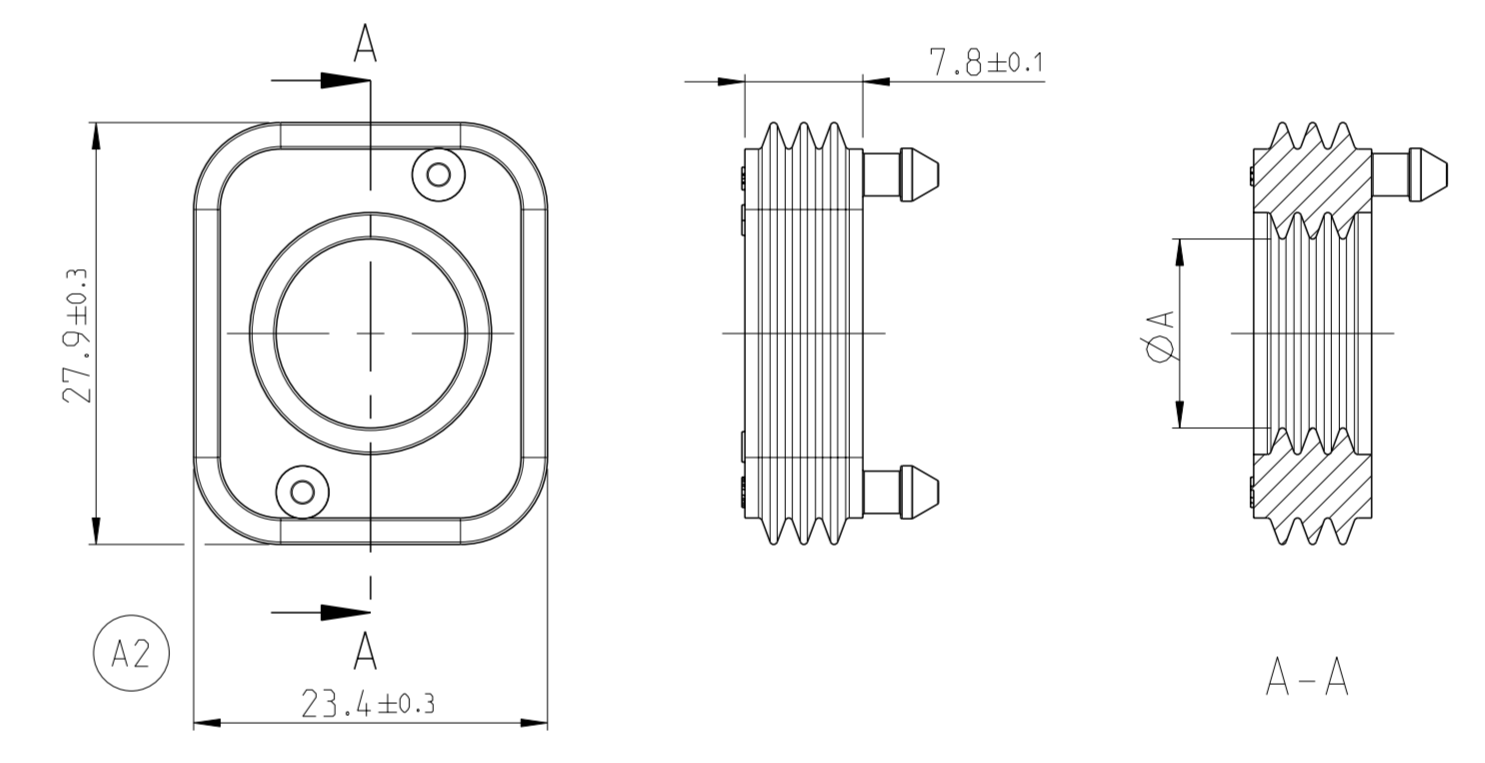
REV	DESCRIPTION	DATE	DWG	APPD
A1	SEE SHEET 1			

POS	DESCRIPTION
6	SHIELD CRIMP FERRULE, INNER Untercrimpulöse



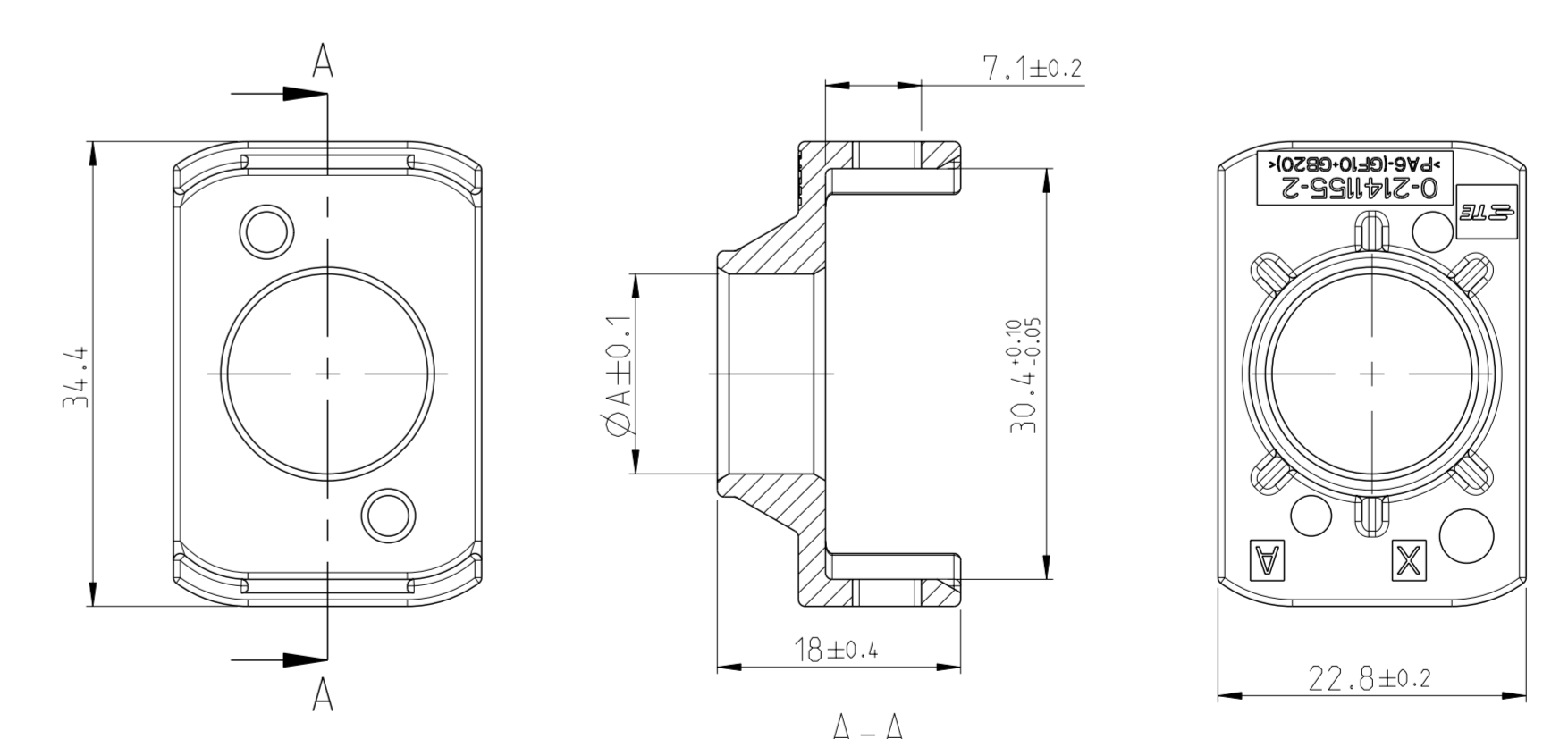
0-2177090-3	12.5
0-2177090-2	14.8
0-2177090-1	16.2
TE-ORDER-NO.	DIMENSION A
TE-Bestell-Nr.	Mass A

POS	DESCRIPTION
7	SHIELD, CRIMP SLEEVE Schirm, Crimpbuchse



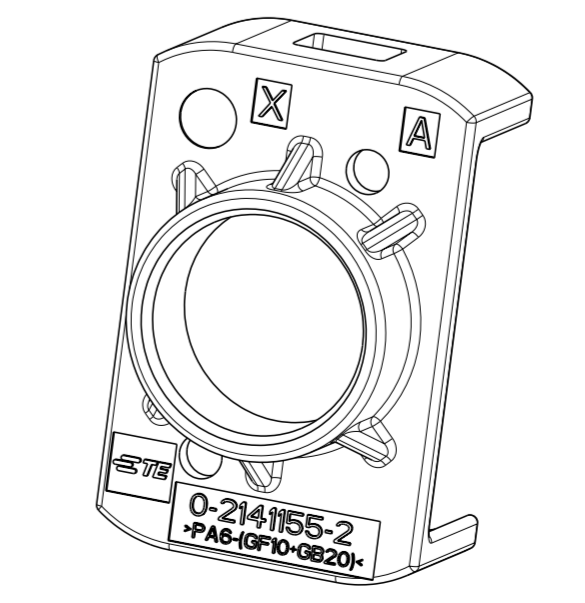
0-2141156-4	8.6
0-2141156-3	10.6
0-2141156-2	12.6
0-2141156-1	13.6
TE-ORDER-NO.	DIMENSION A
TE-Bestell-Nr.	Mass A

POS	DESCRIPTION
8	SINGLE WIRE SEAL, 8MM HV, 90° Kabeldichtung einzeln, 8mm HV, 90°



0-2141155-4	10.6
0-2141155-3	12.6
0-2141155-2	14.8
0-2141155-1	16.2
TE-ORDER-NO.	DIMENSION A
TE-Bestell-Nr.	Mass A

POS	DESCRIPTION
9	PROTEC. COVER 8MM HV, 90° Abdeckkappe 8mm HV, 90°



TOLERANCING ISO 8015
 TOLERIERUNG ISO 8015

THIS DRAWING IS A CONTROLLED DOCUMENT
 DIMENSIONING AND TOLERANCING PER GPS ISO STANDARDS

DATE: 09DEC2016
 DRAWING NO: 000779
 SCALE: 1:1

Customer Drawing

TE Connectivity

2POS 8MM HV KIT, 180DEG, SEALED
 2pol 8mm HV Kit, 180Grad, gedichtet
 OVERVIEW / Ubersicht, ASSY

000779 ©=2177052

SCALE: 1:1

SHEET 2 OF 2