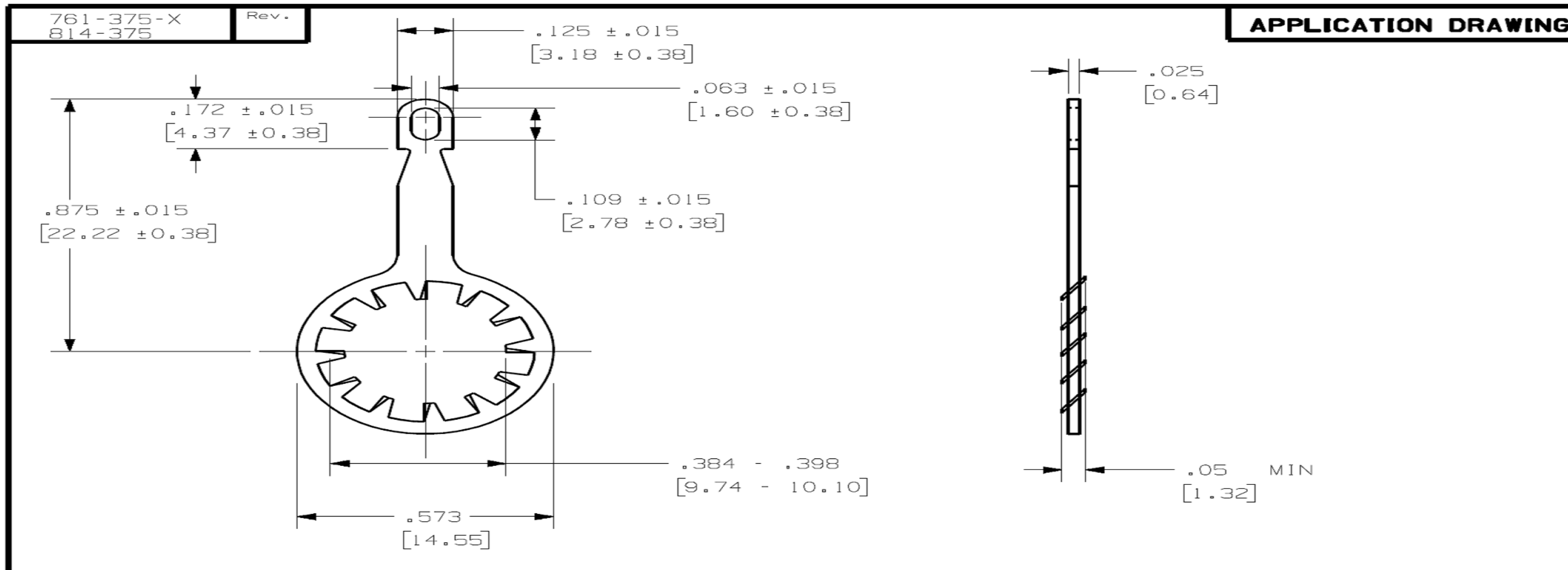


- NOTES:
 1. MATERIAL - BRASS
 2. MATTE TIN PLATE (REF)
 电镀雾锡
 3. PACKAGE IN BAG 999-305
 25 PCS PER BAG
 每包25 PCS
 4. DO NOT SCALE THIS DRAWING
 5. UNLESS OTHERWISE SPECIFIED, ALL DIMENSIONS ARE AFTER PLATING.

REVISIONS				
REV	DESCRIPTION	DATE	ECN	BY
C	ADD PLATE CODE TO ITEM 1 & NOTES 4 & 5	8/11/95	40898	CPM/DR
D	RELEASE IT ON ARFA SIDE	28-MAY-21	15732	SH



THIS P/N CORRESPONDS TO 31-10152-RFX
 这个品号与 31-10152-RFX 对应

P/N	MATERIAL	FINISH
761-375	.025 (.64mm) BRASS, 4# HD	100% MATTE TIN OVER COPPER
761-375-1	.025 (.64mm) BRASS, 4# HD	60% TIN, 40% SOLDER
761-375-9	.025 (.64mm) BRASS, 4# HD	PLAIN
761-375-SS	.025 (.64mm) ST. STEEL 1/4 HD	PLAIN
814-375	.025 (.64mm) BRONZE CDA425 3# HD	100% MATTE TIN OVER COPPER

ZIERICK

Radio Circle Drive
 Mount Kisco, New York 10549

LOCKWASHER TERMINAL

THIS DOCUMENT AND THE CONFIDENTIAL INFORMATION CONTAINED HERE ARE THE PROPERTY OF ZIERICK MANUFACTURING CORPORATION AND MAY NOT BE USED IN WHOLE OR IN PART IN ANY WAY, OR COMMUNICATED TO ANY PARTY OTHER THAN THE RECIPIENT WITHOUT THE EXPRESS PRIOR WRITTEN CONSENT OF ZIERICK MANUFACTURING CORPORATION.

761-375-X
 814-375

NOTICE: These drawings, specifications, or other data (1) are, and remain the property of Amphenol corp. (2) must be returned upon request; and (3) are confidential and not to be disclosed to any person other than those to whom they are given by Amphenol Corp. The furnishing of these drawings, specifications, or other data by Amphenol Corp., or to any other person to anyone for any purpose is not to be regarded by implication or otherwise in any manner licensing, granting rights to permitting such holder or any other person to manufacture, use or sell any product, process or design, patented or otherwise, that may in any way be related to or disclosed by said drawings, specifications, or other data.

UNLESS OTHERWISE SPECIFIED DIMENSIONS ARE METRIC (INCHES) AND TOLERANCES ARE:
 <0.5mm = ±0.05mm [$<0.020 = \pm 0.002$]
 >0.5 - 6mm = ±0.1mm [$>0.020 - 0.236 = \pm 0.004$]
 >6.00 - 30mm = ±0.2mm [$>0.236 - 1.181 = \pm 0.008$]
 >30.00 - 120mm = ±0.3mm [$>1.181 - 4.725 = \pm 0.012$]
 ANGLES = ±1°

MATERIAL
 BRASS
 ENGINEER
 E.W.U
 DATE
 27-MAY-21

TITLE
 INTERNAL TOOTH
 GROUNDING LUG
 SHEET NO. 1 OF 1
 SCALE: 5.0:1.0

Amphenol RF
 DRAWING NO. 31-10152-RFX
 ITEM NO. 31-10152-RFX
 PART NO. 31-10152-RFX
 REV
 D

THIRD ANGLE PROJ.

REFERENCE
 EAR#
 EAR #