

PLEASE CHECK WWW.MOLEX.COM FOR LATEST PART INFORMATION

Part Number: [0731000042](#)
Status: **Active**
Overview: Type N RF Connectors
Description: 50 Ohms, N Straight Plug, Crimp, RG-141, RG-303 and RG-58 Cable

Documents:

[Drawing \(PDF\)](#) [RoHS Certificate of Compliance \(PDF\)](#)

General

Product Family	RF/Coax Connectors
Series	73100
Overview	Type N RF Connectors
Product Name	N
Style	Cable
Type	Medium
UPC	800754977722
Wire/Cable Type	RG-141, RG-303, RG-58

Physical

Gender	Plug
Keying to Mating Part	None
Net Weight	33.072/g
Orientation	Straight
PCB Mounting	N/A
Packaging Type	Bag
Panel Mount	No
Panel Mount Method	N/A
Reverse Polar	No

Electrical

Frequency	11 GHz
Impedance	50Ω
Power / Voltage	VOLTAGE: 1000 Vrms@Sea Level

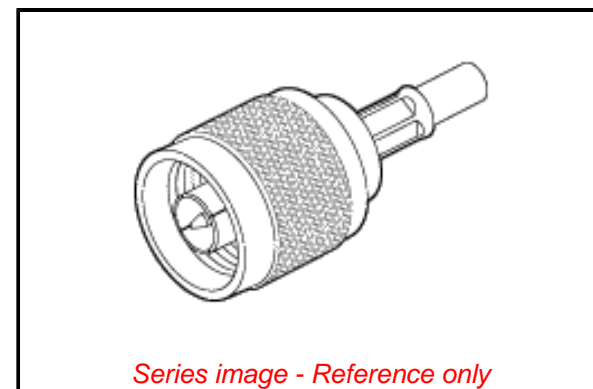
Solder Process Data

Lead-freeProcess Capability	N/A
-----------------------------	-----

Material Info

Reference - Drawing Numbers

Sales Drawing	SD-73100-0042-001, SD-73276-236-001, SDA-73100-0042-001
---------------	--



Series image - Reference only

EU ELV

Not Relevant

EU RoHS

Compliant with Exemption 6(c)

REACH SVHC

Contained Per - ED/01/2018 (15 January 2018) 2,4-Di-tert-butyl-6-(5-chlorobenzotriazol-2-yl)p

Halogen-Free

Status

Low-Halogen

For more information, please visit [Contact US](#)

China ROHS

ELV

RoHS Phthalates

China RoHS

50 Image

Not Relevant

Not Contained

Search Parts in this Series

[73100 Series](#)

Mouser Electronics

Authorized Distributor

Click to View Pricing, Inventory, Delivery & Lifecycle Information:

[Molex:](#)

[73100-0042](#)