

PLEASE CHECK WWW.MOLEX.COM FOR LATEST PART INFORMATION

Part Number: [0019091042](#)
Status: **Active**
Overview: Standard .093" Pin and Socket Connectors
Description: 2.36mm Diameter, .093" Pin and Socket Receptacle Housing with Positive Latch, 4 Circuits, without Mounting Ears

Documents:

[3D Model](#) [Packaging Specification PK-1991-001-001 \(PDF\)](#)
[Drawing \(PDF\)](#) [RoHS Certificate of Compliance \(PDF\)](#)
[Product Specification PS-02-09 \(PDF\)](#)

Agency Certification

CSA LR19980
 UL E29179

General

Product Family Crimp Housings
 Series [1991](#)
 Application Power, Wire-to-Wire
 Comments Glow Wire Equivalent Part Number [50361691](#). Polarized to Mating Part
 Comments Glow Wire Equivalent Part Number [50361691](#). Polarized to Mating Part
 Overview [Standard .093" Pin and Socket Connectors](#)
 Product Name Standard .093"
 UPC 800753594494

Physical

Breakaway No
 Circuits (maximum) 4
 Circuits Detail 1x4
 Color - Resin Natural
 Flammability 94V-2
 Gender Receptacle
 Glow-Wire Capable No
 Keying to Mating Part None
 Lock to Mating Part Yes
 Material - Resin Nylon
 Net Weight 2.924/g
 Number of Rows 1
 Packaging Type Bag
 Panel Mount No
 Pitch - Mating Interface 6.30mm
 Polarized to Mating Part Yes
 Stackable No
 Temperature Range - Operating -40° to +105°C

Electrical

Current - Maximum per Contact 9.0A

Solder Process Data

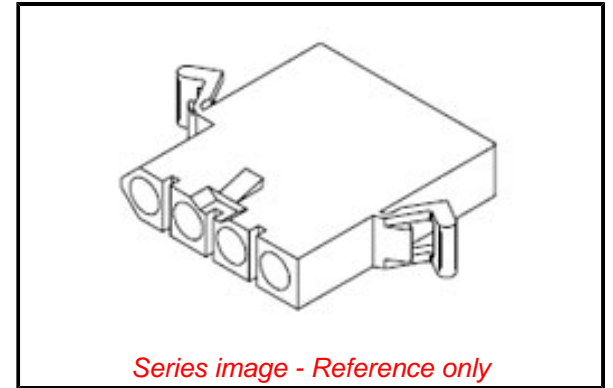
Lead-freeProcess Capability N/A

Material Info

Engineering Number 1991-4R1

Reference - Drawing Numbers

Packaging Specification PK-1991-001-001



EU ELV

Not Relevant

EU RoHS

Compliant

REACH SVHC

Not Contained Per
 -ED/88/2018 (15
 January 2019)

Halogen-Free

Status

Low-Halogen

For more information, please visit [Contact US](#)

China ROHS

ELV

RoHS Phthalates

China RoHS

Green Image

Not Relevant

Not Contained

Search Parts in this Series

[1991 Series](#)

Mates With

[19092042](#) , [19092043](#)

Use With

[1189 Crimp Terminals](#), [1190 Crimp Terminals](#), [1380 Male Crimp Terminals](#), [1381 Female Crimp Terminals](#), [1433 Crimp Terminals](#), [1434 Male Crimp Terminals](#), [1973](#) , [2151](#) , [2273](#) , [2870](#) , [2871](#) , [4272](#) , [Link:4550](#), [6271](#)

This document was generated on 04/16/2019

PLEASE CHECK WWW.MOLEX.COM FOR LATEST PART INFORMATION