

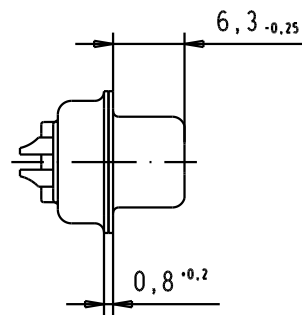
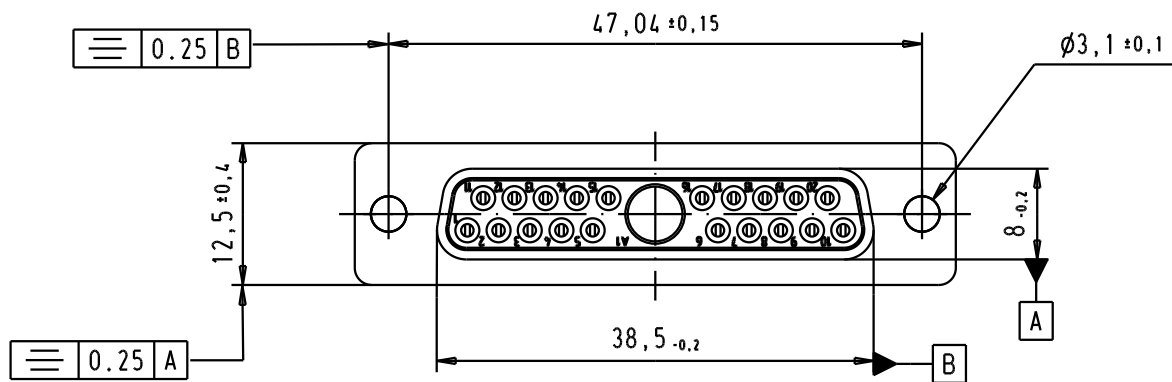
5

4

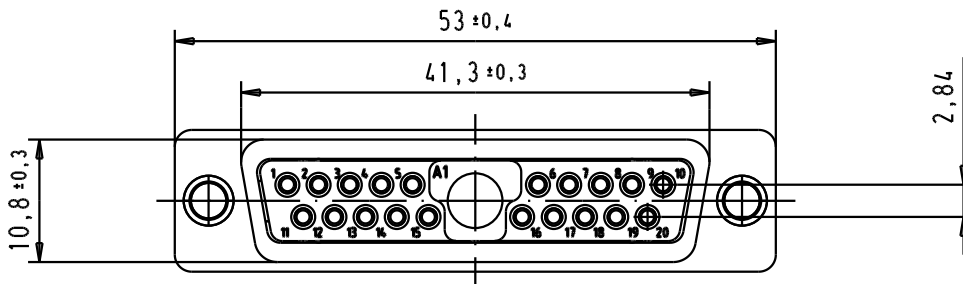
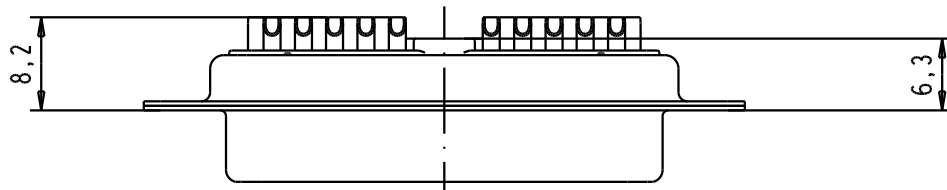
3

2

1



Solder bucket termination for AWG 20



D

C

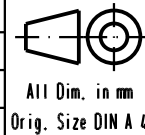
B

A

09693017211	0.1 μm Au
09693015211	0.8 μm Au
Part number	Performance level

32987	09/08/05	JMDR
Mod.	Dat.	Name

	Dat.	Name
Detail.	09/08/05	JMDR
Insp.		
Stand.		
HARTING EURL F-95972 Paris		



All Dim. in mm  
Orig. Size DIN A 4



D-sub, female, straight,  
21W1 - with signal solder  
bucket contacts,  
tin plated shell with hole

TB 0969301X211

Sub.

Maßstab/  
Scale

1,5:1

Blatt / Page

1 / 1

# Mouser Electronics

Authorized Distributor

Click to View Pricing, Inventory, Delivery & Lifecycle Information:

[HARTING:](#)

[09693015211](#) [09693017211](#)