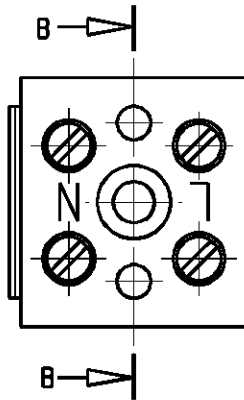
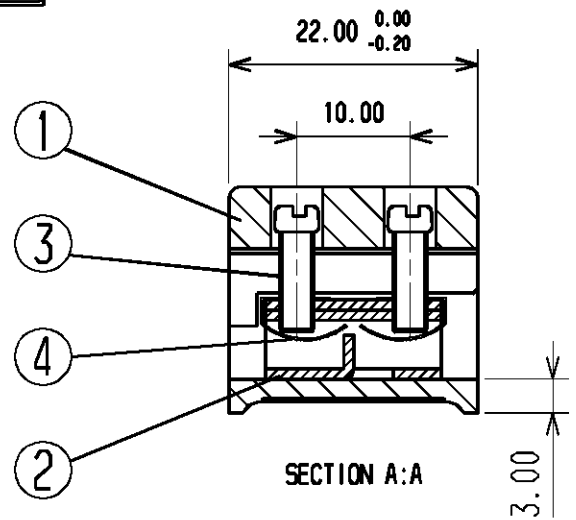
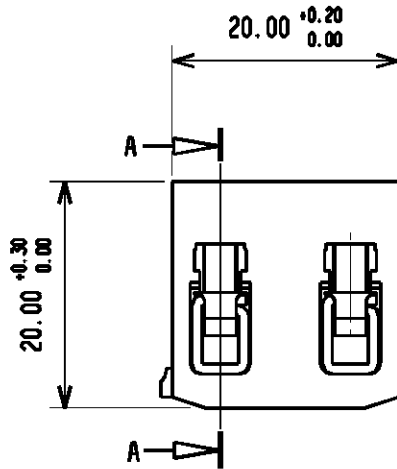


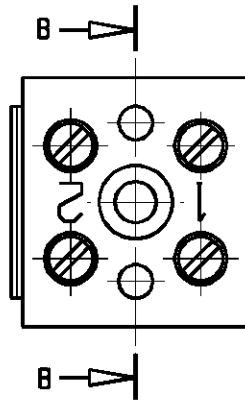
SCHUTZVERMERK NACH DIN 34 BEACHTEN
PROTECTION REMARK TO DIN 34 MUST BE OBSERVED

DIE ENGLISCHE VERSION IST VERBINDLICH
THE ENGLISH VERSION IS BINDING

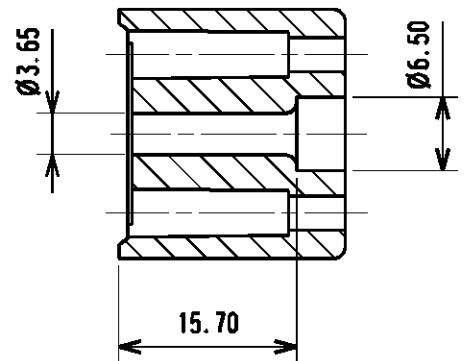
CERTIFIED PRODUCT
NO MODIFICATION PERMITTED
WITHOUT REFERENCE TO THE
CERTIFYING AUTHORITY



L, N VERSION



1, 2 VERSION



SECTION B:B

4	4	LEAF SPRING 7.5x4.6x3.8	502019	STAINLESS STEEL	NATURAL
3	4	SCREW/KLSC M3x8.8	432628	STEEL	Zn
2	2	YOKE/ZB 15.5x7x5	404209	CuZn	Ni
1	1	MLD/KLTR	332180	MELAMINE	NATURAL
ITEM NO. POS. -NR	NO. OFF STUCK ZAHL	DESCRIPTION BESCHREIBUNG	DRAWING NO ZEICHNUNGS	MATERIAL DATA ANGABEN ZU WERKSTOFF	FINISH UBERZUGE

③	:	.
②	:	.
①	:	.
MODIFICATION		

Weidmüller

CAT. NO. : .	
4 33899	①
DRAWING NO.	ISSUE NO.
SHEET: 1	OF 1 SHEETS

	DATE	NAME
	RESPONSIBLE	B.Philpott
SCALE: 1.5:1	DRAWN	25/10/2001 G. Carter
SUPERSEDES: 431452/0 - 431453/0	CHECKED	29/10/2001 B.Philpott
SUPERSEDED BY: .	APPROVED	. c.Stiff

BK2/E	
KLEMMENBLOCK TERMINAL BLOCK	
PRODUCT FILE: BK2	UK L