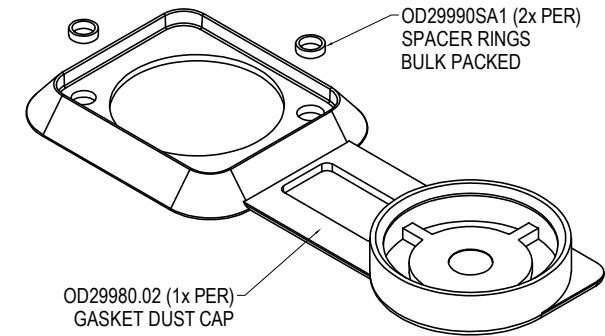
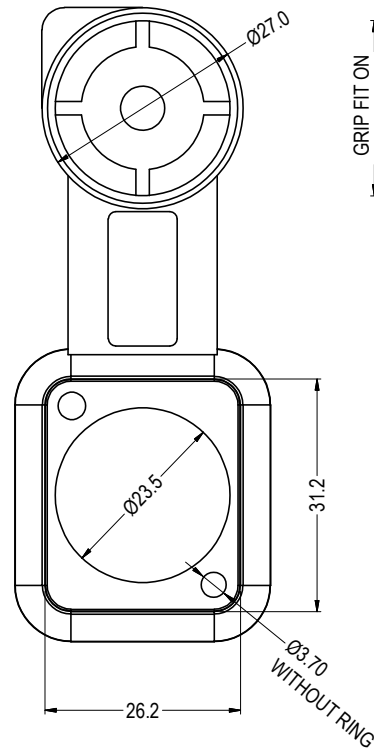
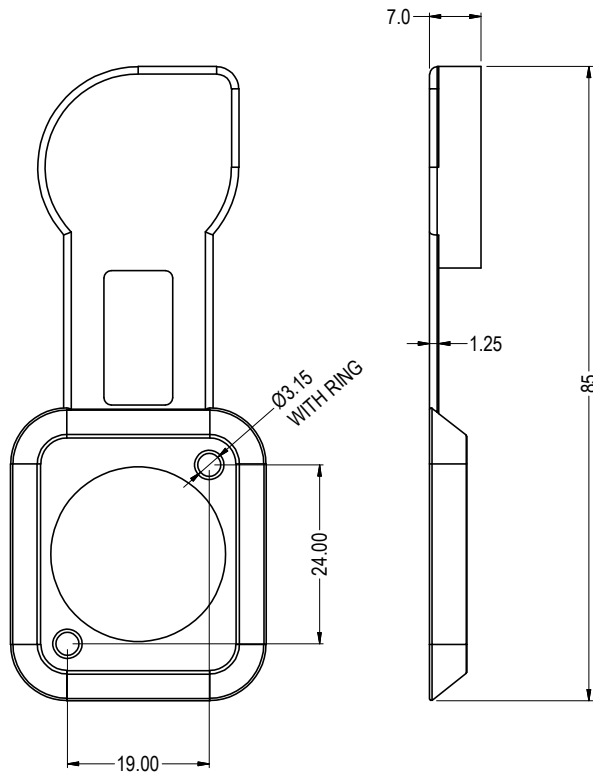
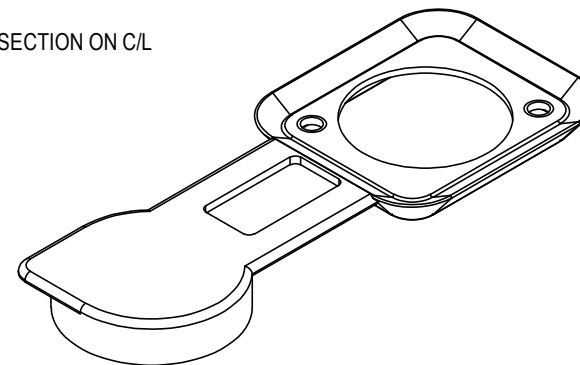
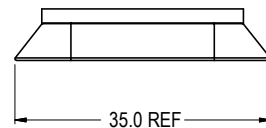


ISS.	AMEND	DATE
1	ISSUED	13/09/19
2	ADD RED+BLUE	18/09/19
3	ADD GREEN	04/09/20



SECTION ON C/L



PART No.	COLOUR
CP299802	BLACK
CP299805	GREEN
CP299807	RED
CP299808	BLUE

**NOTES**

- 1) GASKETS SUPPLIED BULK PACKED.
- 2) 2x SPACER RINGS PER GASKET SUPPLIED BULK PACKED

**RoHS**  
COMPLIANT

**TOLERANCE**

- NO DEC. PLACE ± 0.50
- 1 DEC. PLACE ± 0.20
- 2 DEC. PLACE ± 0.10
- HOLE Ø ± 0.10
- ANGLES ± 1/2°
- UNLESS OTHERWISE STATED

DO NOT SCALE

**Cliff Electronic Components Ltd.**

76 Holmethorpe Avenue, Holmethorpe Industrial Estate,  
Redhill, Surrey, RH1 2PF, England, UK  
Tel: 01737-771375 Fax: 01737-766012 Website: www.cliffuk.co.uk

THE CONTENTS OF THIS DOCUMENT MUST NOT BE COPIED OR DISCLOSED TO A 3rd PARTY WITHOUT WRITTEN PERMISSION OF CLIFF UK. © 2019

DIMENSIONS IN MILLIMETERS UNLESS OTHERWISE STATED. WORK TO DIMENSIONS. REMOVE ALL BURRS. IF IN DOUBT ASK.

3rd ANGLE PROJECTION:

MATERIAL: SILICONE - SEE TABLE

FINISH: CLEAN - SEE TABLE

DRAWN: T.J.O.

APPROVED: D.P.J.

TITLE: GASKET TYPE DUST CAP KIT

DRWG. No. **CP299802**

FORM: A4DRWGf