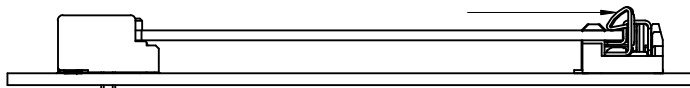
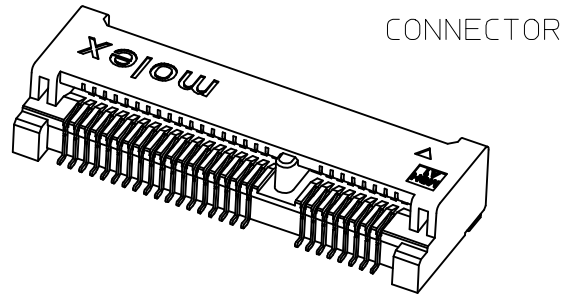
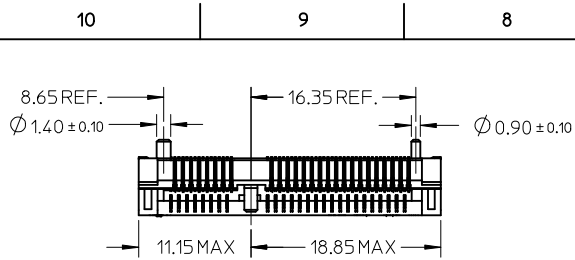


PUSH LATCH TO RELEASE MODULE

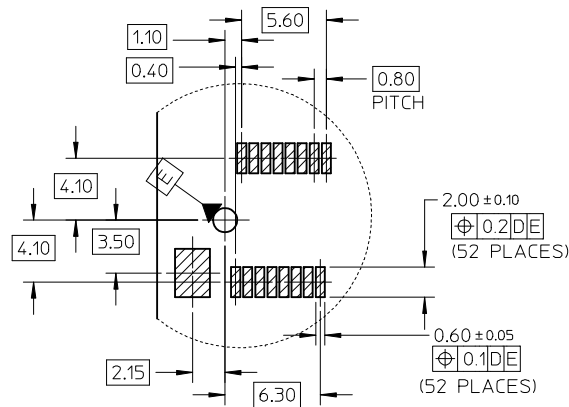
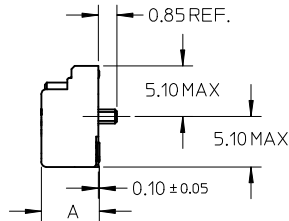
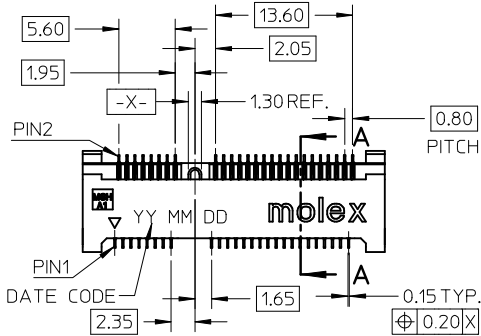


67910-5700	5.75	3.75	10 MICROINCH GOLD	
67910-5701	5.75	3.75	GOLD FLASH	
P/N	DIMENSION	A	B	CONTACT PLATING

REVISED EC NO: SH2009-0388 DR: WINEZHAO CHKD: APPR: HWANG	2008/12/03 2008/12/04 2008/12/09	DESCRIPTION REV	QUALITY SYMBOLS ▽=0 ◻=0	GENERAL TOLERANCES (UNLESS SPECIFIED) mm INCH	DIMENSION STYLE MM ONLY	SCALE 1:1	DESIGN UNITS METRIC	THIRD ANGLE PROJECTION
			4 PLACES ± --- ± --- 3 PLACES ± --- ± --- 2 PLACES ± 0.25 ± --- 1 PLACE ± 0.25 ± ---	DRAWN BY DATE DAVID HU 2005/09/22 CHECKED BY DATE HARVEY 2005/10/26 APPROVED BY DATE GARY 2005/10/26	TITLE MINI PCI EXPRESS CONN. 0.8MM PITCH 52 CIRCUIT LEAD-FREE			
			ANGULAR ± 3 °	MATERIAL NO. SEE SHEET 1	DOCUMENT NO. SD-67910-004	SHEET NO. 1 OF 3		
			DRAFT WHERE APPLICABLE MUST REMAIN WITHIN DIMENSIONS				THIS DRAWING CONTAINS INFORMATION THAT IS PROPRIETARY TO MOLEX INCORPORATED AND SHOULD NOT BE USED WITHOUT WRITTEN PERMISSION	

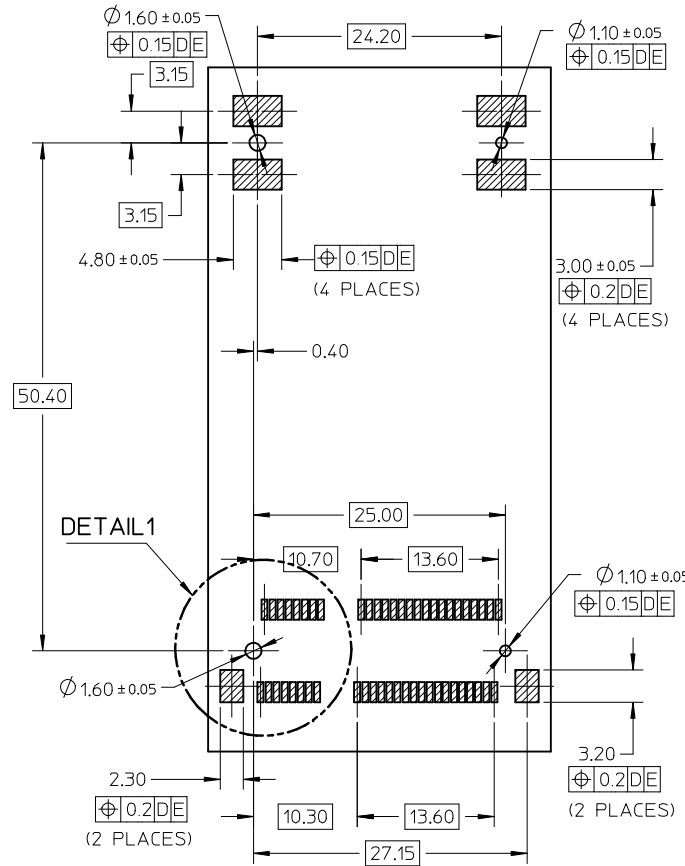


CONNECTOR



DETAIL 1

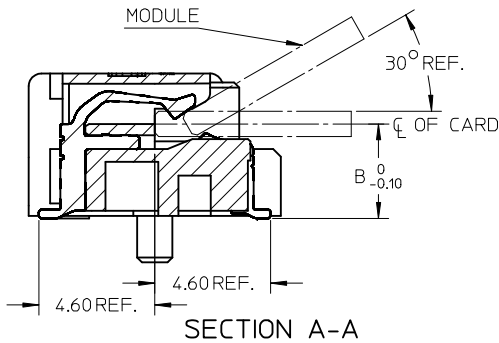
Scale 3:1



RECOMMENDED PCB LAYOUT

NOTES:

1. MATERIALS: HOUSING:LCP COLOR:BLACK UL94V-0  
CONTACT:PHOSPHOR BRONZE  
NAIL:BRASS
2. FINISH: CONTACT:SELECTIVE GOLD IN CONTACT AND SOLDER AREA  
UNDERPLATED:NICKEL OVERALL  
NAIL:TIN IN SOLDER AREA  
UNDERPLATED:NICKEL OVERALL
3. THE MODULE CARD REFERENCE MINIPCI-E CARD  
ELECTROMECHANICAL SPECIFICATION
4. DATUM D IS THE TOP OF SURFACE OF PCB
5. MATCHED LATCH 48099\*\*\*\* SERIES.
6. PART 67910\*\*\*\* COMPLIANT TO ROHS DIRECTIVE 2002/95/EC  
AND ELV DIRECTIVE 2000/53/EC.

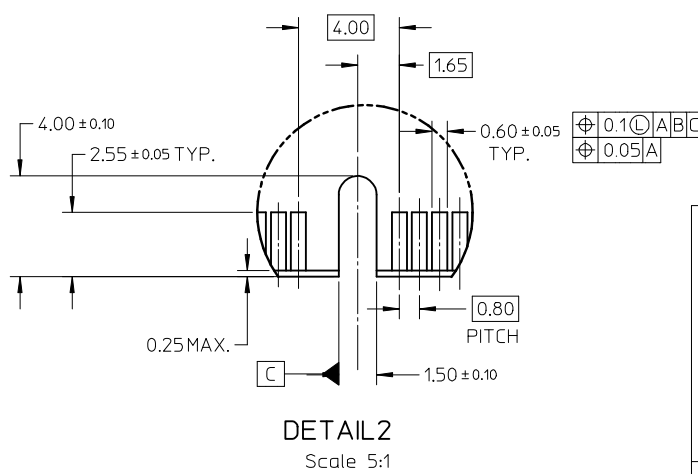
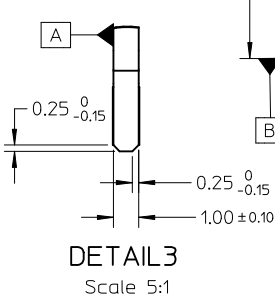
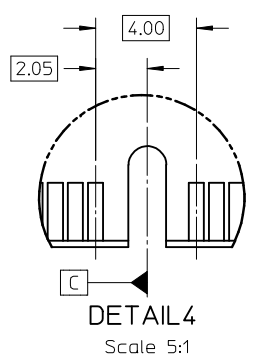
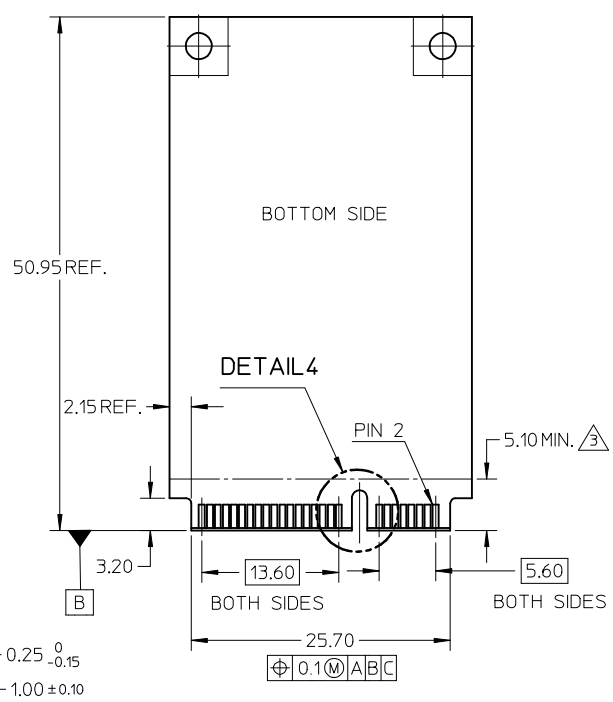
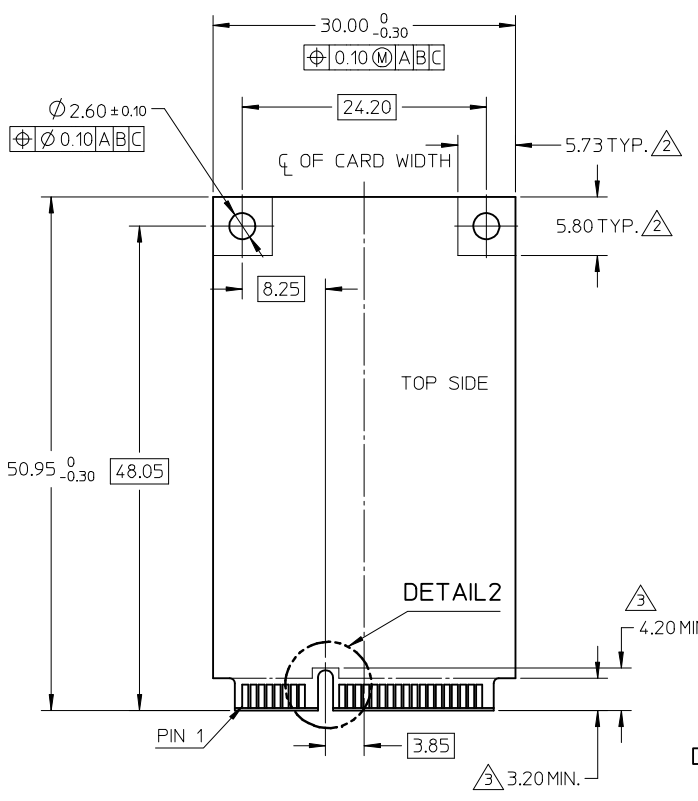


SECTION A-A

Scale 5:1

REVISED EC NO: SH2009-0388 DR: WINEZHAO CHKD: APPR: HAWANG 2008/12/03 2008/12/04 2008/12/09	QUALITY SYMBOLS	GENERAL TOLERANCES (UNLESS SPECIFIED)	DIMENSION STYLE	SCALE	DESIGN UNITS	THIRD ANGLE PROJECTION															
	$\nabla=0$ $\nabla=0$	<table border="1"> <tr> <th></th> <th>mm</th> <th>INCH</th> </tr> <tr> <td>4 PLACES</td> <td>± ---</td> <td>± ---</td> </tr> <tr> <td>3 PLACES</td> <td>± ---</td> <td>± ---</td> </tr> <tr> <td>2 PLACES</td> <td>± 0.25</td> <td>± ---</td> </tr> <tr> <td>1 PLACE</td> <td>± 0.25</td> <td>± ---</td> </tr> </table>		mm	INCH	4 PLACES	± ---	± ---	3 PLACES	± ---	± ---	2 PLACES	± 0.25	± ---	1 PLACE	± 0.25	± ---	MM ONLY	1:1	METRIC	
		mm	INCH																		
	4 PLACES	± ---	± ---																		
3 PLACES	± ---	± ---																			
2 PLACES	± 0.25	± ---																			
1 PLACE	± 0.25	± ---																			
DRAWN BY: DAVID HU DATE: 2005/09/22 CHECKED BY: HARVEY DATE: 2005/10/26 APPROVED BY: GARY DATE: 2005/10/26	ANGULAR ± 3 ° DRAFT WHERE APPLICABLE MUST REMAIN WITHIN DIMENSIONS	TITLE: MINI PCI EXPRESS CONN. 0.8MM PITCH 52 CIRCUIT LEAD-FREE MOLEX INCORPORATED	MATERIAL NO. SEE SHEET 1	DOCUMENT NO. SD-67910-004	SHEET NO. 2 OF 3																
SIZE: A3 THIS DRAWING CONTAINS INFORMATION THAT IS PROPRIETARY TO MOLEX INCORPORATED AND SHOULD NOT BE USED WITHOUT WRITTEN PERMISSION																					

NOTES:  
 1. PIN NUMBERING REFERENCE:  
 ODD PINS-TOP SIDE  
 EVEN PINS-BOTTOM SIDE  
 2. COMPONENT AND ROUTING(ALL LAYERS)  
 KEEP OUT AREA FOR HOLD DOWN SOLUTIONS  
 3. COMPONENT KEEP OUT AREA FOR CONNECTOR



REVISED EC NO: SH2009-0388 DRW: ZHAO CHKD: APPR: HWANG	QUALITY SYMBOLS ▽=0 C=0	GENERAL TOLERANCES (UNLESS SPECIFIED)		DIMENSION STYLE MM ONLY		SCALE 1:1	DESIGN UNITS METRIC	THIRD ANGLE PROJECTION		
		mm	INCH	DRAWN BY DAVID HU	DATE 2005/09/22	TITLE MINI PCI EXPRESS CONN. 0.8MM PITCH 52 CIRCUIT LEAD-FREE				
		4 PLACES ± ---	± ---	CHECKED BY HARVEY	DATE 2005/10/26					
		3 PLACES ± ---	± ---	APPROVED BY GARY	DATE 2005/10/26	MOLEX INCORPORATED DOCUMENT NO. SD-67910-004 SHEET NO. 3 OF 3				
2 PLACES ± 0.25	± ---	MATERIAL NO. SEE SHEET 1								
1 PLACE ± 0.25	± ---	ANGULAR ± 3 °		DRAFT WHERE APPLICABLE MUST REMAIN WITHIN DIMENSIONS						
SIZE A3		THIS DRAWING CONTAINS INFORMATION THAT IS PROPRIETARY TO MOLEX INCORPORATED AND SHOULD NOT BE USED WITHOUT WRITTEN PERMISSION								

# Mouser Electronics

Authorized Distributor

Click to View Pricing, Inventory, Delivery & Lifecycle Information:

[Molex:](#)

[67910-5700](#)