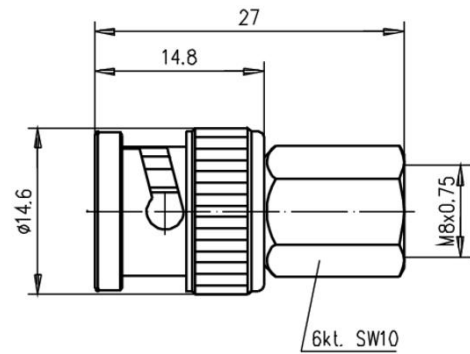


order number: J01008A0014

BNC to FME m-m



Technical Attributes	
Type	BNC (m)/FME (m)
Max. Frequency	2 GHz
Life	min. 500
Z	Ω
Series	
Finish	
Mount. dim.	