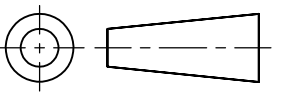


DO NOT SCALE  
DIMENSIONS IN mm

METRIC

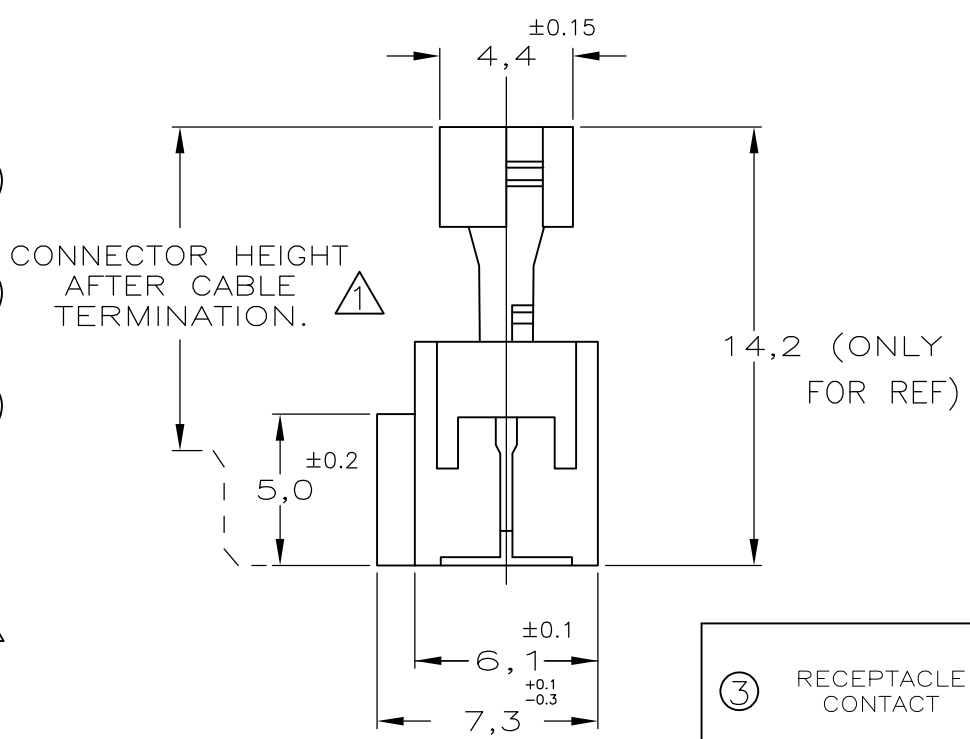
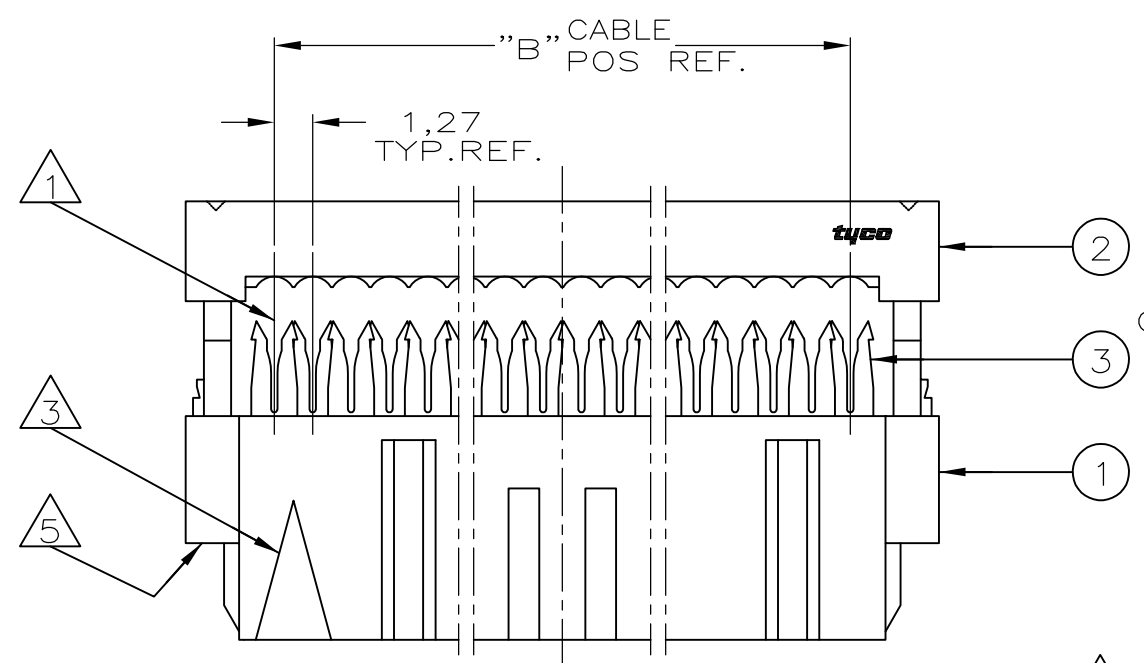
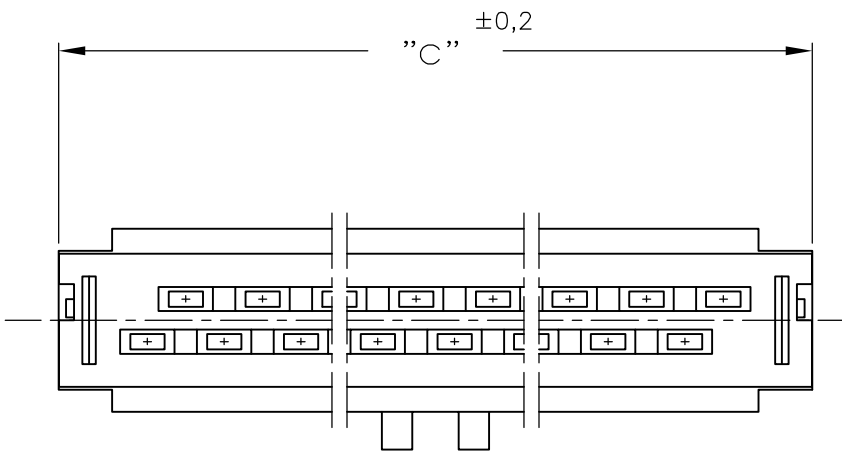
THIRD ANGLE  
PROJECTION



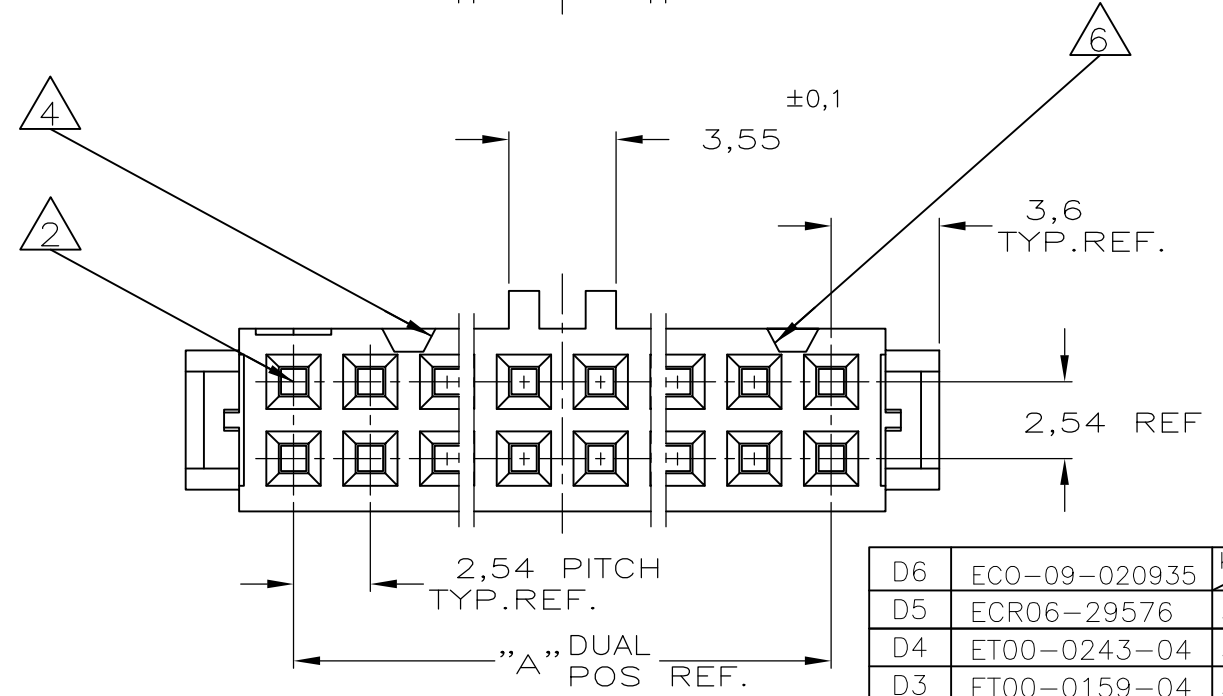
F  
E  
D  
C  
B  
A

NOTES:

- ① CONNECTOR IS DESIGNED FOR FLAT RIBBON CABLE ON 1,27 CENTERS . FOR CABLE REQUIREMENTS SEE AMP APPLICATION SPECIFICATION 114-19022.
- ② THESE RECEPTACLE CONNECTORS MATE WITH 0,64 <sup>±0,05</sup> mm SQUARE OR ROUND POSTS ON 2,54mm GRID.
- ③ MARK INDICATING FIRST CABLE POSITION REFERRING TO CONTACT POSITION.
- ④ THERE IS NO POLARIZATION-SLOT AT THIS END IN 6, 10 AND 14 POS CONNECTORS.
- ⑤ THESE CONNECTORS CAN BE USED IN CONJUNCTION WITH STRAIN-RELIEF COVERS OF PARTNR: 182762.
- ⑥ THERE IS NO POLARIZATION-SLOT AT THIS END IN 6 POS CONNECTORS.
- ⑦ PRODUCT SPECIFICATION 108-19033.
- ⑧ OBSOLETE PARTS: OBSOLETE CIS STREAMLINING PER D.RENAUD/D.SINISI



⑧ OBSOLETE	85,9	64	32	6-215911-4	D
	80,8	60	30	6-215911-0	D
	68,1	50	25	5-215911-0	D
	60,5	44	22	4-215911-4	D
	55,4	40	20	4-215911-0	D
	47,8	34	17	3-215911-4	D
	42,7	30	15	3-215911-0	D
	37,6	26	13	2-215911-6	D
	30,0	20	10	2-215911-0	D
	24,9	16	8	1-215911-6	D
22,4	14	7	1-215911-4	D	
17,3	10	5	1-215911-0	D	
⑧ OBSOLETE	14,8	8	4	0-215911-8	C
⑧ OBSOLETE	12,2	6	3	0-215911-6	D
⑧ OBSOLETE	9,7	4	2	0-215911-4	C
	DIM."C"	"B" CABLE POS.	"A" DUAL POS.	PARTNUMBER	PART REV.



D6	ECO-09-020935	KK/AEG	31AUG09
D5	ECR06-29576	A.V.	15-12-06
D4	ET00-0243-04	A.V.	-
D3	ET00-0159-04	A.V.	13-07-04
D2	ET00-0180-03	A.V.	19-01-04
D1	ET00-0093-03	SS	23-05-03
LTR	REVISION RECORD	DR	DATE

③ RECEPTACLE CONTACT	PHOSPHORBRONZE Cu Sn6	AT CONTACT-PLACE: 0,2µmGOLD AT WIRING END: 2,5µmTIN ENTIRE UNDERCOATING: 1,27µmNICKEL
	② COVER	THERMOPLASTIC POLYESTER UL 94 -V0
① HOUSING		GREY RAL 7032 (ONLY FOR REF.)
COMPONENT NAME	MATERIAL	PLATING / COLOUR
CUSTOMER DRAWING	<b>tyco</b> Electronics	
	AMP ITALIA S.p.A Corso F.LLI Cervi, 15 COLLEGNO (TORINO)	
<del>THIS DRAWING IS UNPUBLISHED</del> RELEASED FOR PUBLICATION 4JAN ,1988		
© COPYRIGHT 19 88 BY AMP-HOLLAND B.V. ALL INTERNATIONAL RIGHTS RESERVED. AMP PRODUCTS MAY BE COVERED BY U.S. AND FOREIGN PATENTS AND/OR PATENTS PENDING.		
FOR REFERENCE ONLY WILL NOT BE UPDATED	DR. W.R.VERBEET CHK. R.VERSTIJNEN APP. L.v SOEST.	DATE 4-2'88 DATE 5-2'88 DATE 5-2'88
WIRE RANGE - // -	NAME AMP-LATCH_MIL-TYPE RECEPTACLE_CONNECTOR ASSEMBLY_(SYMMETRIC_COVER)	
INSUL.RANGE - // -	SIZE A3	SHEET 1 OF 1
	DWG. No. C-215911	REV.LTR. D6

8 7 6 5 4 3 2 1