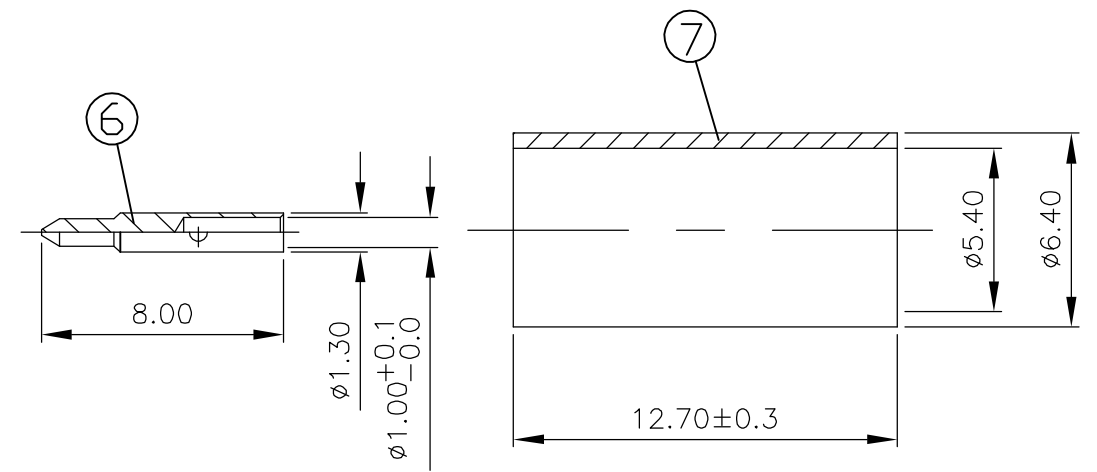
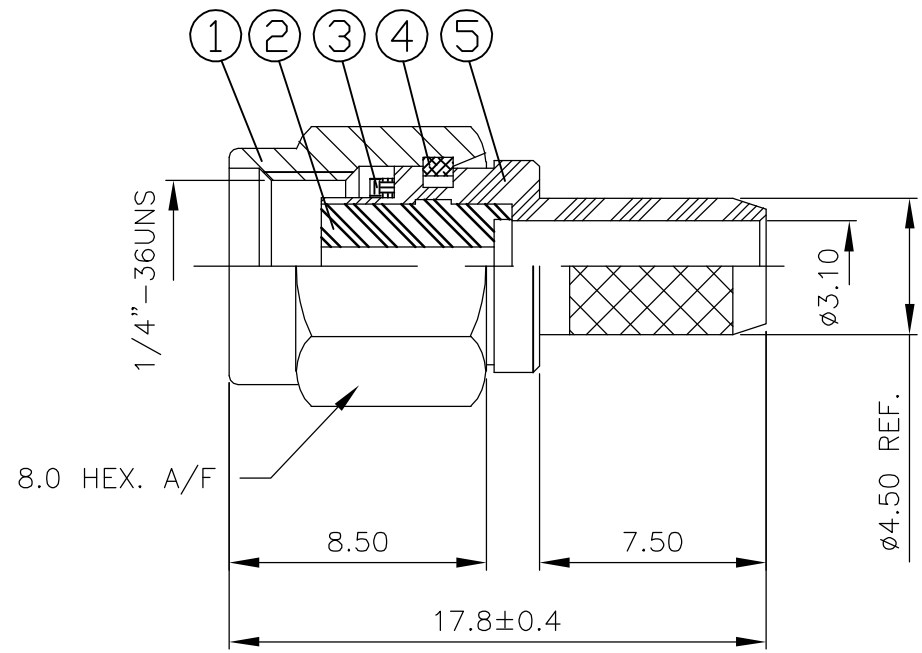


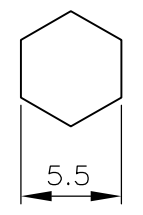
THIS DRAWING IS UNPUBLISHED. RELEASED FOR PUBLICATION APRIL, 2004.
 © COPYRIGHT 2004 BY TYCO ELECTRONICS CORPORATION. ALL RIGHTS RESERVED.

LOC	DIST	REVISIONS			
P	LTR	DESCRIPTION	DATE	DWN	APVD
E	B	A	EBD0-0035-03	18FEB04	RS FWK

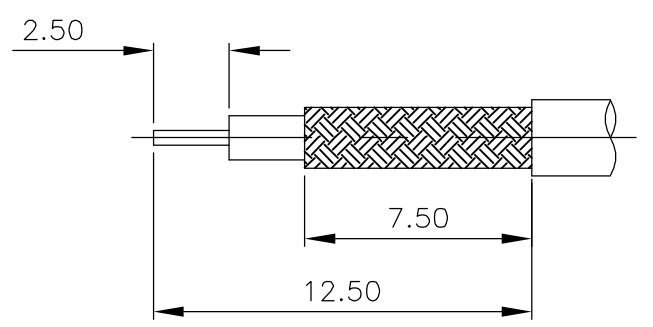
- NOTES:
- ① SINGLE PACK IN ACCORDANCE WITH SPEC 107-3275
 - ② 100 TRAY PACK IN ACCORDANCE WITH SPEC 107-3275
 - ③ 0.08µm Au PLATING OVER 1.27µm Ni PLATING
 - ④ 0.08µm Au PLATING OVER 1.27µm Ni PLATING OVER 0.76µm Cu PLATING
 - ⑤ 0.76µm Au PLATING OVER 1.27µm Ni PLATING OVER 0.76µm Cu PLATING
 - ⑥ PASSIVATED
 - ⑦ WHITE BRONZE PLATING
 - ⑧ PLATING AS PER BODY, EXCEPT FOR PASSIVATED WHICH IS NICKEL PLATED
 - 9 HAND TOOL 9-1478240-0
 - 10 DIE SET 9-1478242-0
 - 11 FOR TECHNICAL DATA REFER TO YOUR LOCAL TYCO ELECTRONICS SALES OFFICE
 - 12 ALL DIMENSIONS ARE NOMINAL FOR REFERENCE ONLY UNLESS OTHERWISE STATED



RECOMMENDED CRIMP SLEEVE A/F HEX



RECOMMENDED CABLE STRIPPING DIM'S



1	1	1	1	1	1	1	1	BRASS	⑧	CRIMP SLEEVE	7
1	1	1	1	1	1	1	1	BRASS	⑤	CENTER CONTACT	6
1	1	-	-	-	-	-	-	BRASS	⑦	BODY	5
-	-	1	1	-	-	-	-	BRASS	④	BODY	5
-	-	-	-	1	1	-	-	STAINLESS STEEL	⑥	BODY	5
-	-	-	-	-	-	1	1	STAINLESS STEEL	③	BODY	5
1	1	1	1	1	1	1	1	STAINLESS STEEL		CIRCLIP	4
1	1	1	1	1	1	1	1	SILICON		GASKET	3
1	1	1	1	1	1	1	1	PTFE		INSULATOR	2
1	1	-	-	-	-	-	-	BRASS	①	SHELL	1
-	-	1	1	-	-	-	-	BRASS	④	SHELL	1
-	-	-	-	1	1	-	-	STAINLESS STEEL	⑥	SHELL	1
-	-	-	-	-	-	1	1	STAINLESS STEEL	③	SHELL	1
4--1	4--0	3--1	3--0	2--1	2--0	1--1	1--0	MATERIAL		DESCRIPTION	ITEM
②	①	②	①	②	①	②	①				

THIS DRAWING IS A CONTROLLED DOCUMENT.		DWN R.SMITH 18FEB04	Tyco Electronics Corporation Bideford, UK, EX39 4HE	
DIMENSIONS: mm		CHK S.PARLOW 18FEB04		
TOLERANCES UNLESS OTHERWISE SPECIFIED:		APVD F.WHEELER-KING 18FEB04	NAME SMA STRAIGHT PLUG NON CAPTIVE SOLDER CONTACT CRIMP ATTACHMENT	
0 PLC ± -		PRODUCT SPEC 108-3460	RG58C/U, 141A/U, URM43, URM76, KX15	
1 PLC ± -		APPLICATION SPEC 411-3276	SIZE A3	CAGE CODE 00779
2 PLC ± -		WEIGHT -	DRAWING NO C-1478915	
3 PLC ± -		MATERIAL SEE TABLE	RESTRICTED TO -	
4 PLC ± -			SCALE 1:1 SHEET 1 OF 1 REV A	
ANGLES ± -		CUSTOMER DRAWING		
FINISH -				