

320560 ✓ ACTIVE

PIDG

TE Internal #: 320560

PIDG, Rings & Spades, Ring Tongue, 16 – 14AWG Wire Size, 1.25 – 2mm² Wire Size, 2050 – 5180CMA Wire Size, M4 / #8, Stud

Diameter 4.17 mm [.164 in]

[View on TE.com >](#)



Terminals & Splices > Rings & Spades > PIDG RING TONGUE TERMINALS



Terminal & Splice Type: **Ring Tongue**

Wire Size: **2050 – 5180 CMA**

Stud Size: **#8, M4**

[All PIDG RING TONGUE TERMINALS \(422\)](#)

Features

Product Type Features

Shape Description	RING-041
Stud Size	#8, M4
Barrel Type	Closed Barrel
Sealable	No
Insulated	Yes
Wire/Cable Type	Regular Wire
Support Style	Non - Insulation Support

Configuration Features

Number of Holes	1
Terminal Angle	Straight

Electrical Characteristics

Voltage (Max)	300 V
---------------	-------

Body Features

Weight per Piece	1.114 g
Plating Material	Copper, Tin

Contact Features

Terminal & Splice Type	Ring Tongue
Terminal Orientation	Straight



Mechanical Attachment

Wire Insulation Support	With
-------------------------	------

Dimensions

Wire Size	2050 – 5180 CMA
Stud Diameter	4.17 mm [.164 in]
Tongue Thickness	.79 mm [.031 in]
Overall Length	21.8 mm [.859 in]
Wire Insulation Diameter (Max)	3.81 mm [.15 in]
Wire Insulation Diameter	2.67 – 3.81 mm [.105 – .15 in]

Usage Conditions

Operating Temperature Range	105 °C [221 °F]
-----------------------------	-----------------

Operation/Application

Heavy Duty	No
------------	----

Industry Standards

Government Qualified	No
----------------------	----

Packaging Features

Packaging Quantity	1000
Packaging Method	Loose Piece

Product Compliance

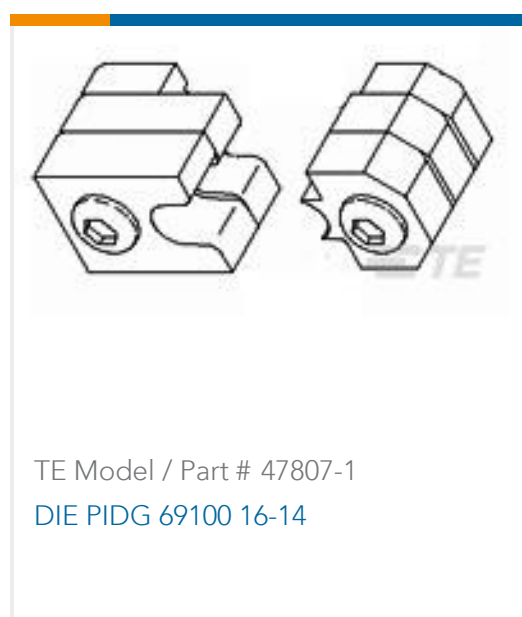
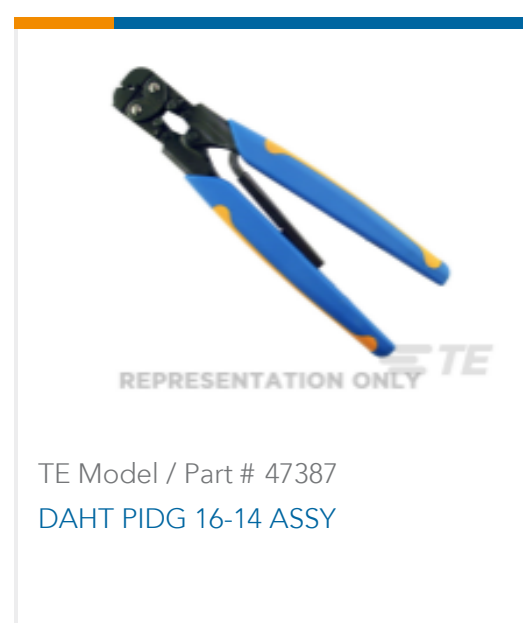
[For compliance documentation, visit the product page on TE.com>](#)

EU RoHS Directive 2011/65/EU	Compliant
EU ELV Directive 2000/53/EC	Compliant
China RoHS 2 Directive MIIT Order No 32, 2016	No Restricted Materials Above Threshold
EU REACH Regulation (EC) No. 1907/2006	Current ECHA Candidate List: JUN 2020 (209) Candidate List Declared Against: JUN 2020 (209) Does not contain REACH SVHC
Halogen Content	Low Halogen - Br, Cl, F, I < 900 ppm per homogenous material. Also BFR/CFR/PVC Free
Solder Process Capability	Not applicable for solder process capability

Product Compliance Disclaimer

This information is provided based on reasonable inquiry of our suppliers and represents our current actual knowledge based on the information they provided. This information is subject to change. The part numbers that TE has identified as EU RoHS compliant have a maximum concentration of 0.1% by weight in homogenous materials for lead, hexavalent chromium, mercury, PBB, PBDE, DBP, BBP, DEHP, DIBP, and 0.01% for cadmium, or qualify for an exemption to these limits as defined in the Annexes of Directive 2011/65/EU (RoHS2). Finished electrical and electronic equipment products will be CE marked as required by Directive 2011/65/EU. Components may not be CE marked. Additionally, the part numbers that TE has identified as EU ELV compliant have a maximum concentration of 0.1% by weight in homogenous materials for lead, hexavalent chromium, and mercury, and 0.01% for cadmium, or qualify for an exemption to these limits as defined in the Annexes of Directive 2000/53/EC (ELV). Regarding the REACH Regulation, the information TE provides on SVHC in articles for this part number is based on the latest European Chemicals Agency (ECHA) 'Guidance on requirements for substances in articles' posted at this URL: <https://echa.europa.eu/guidance-documents/guidance-on-reach>

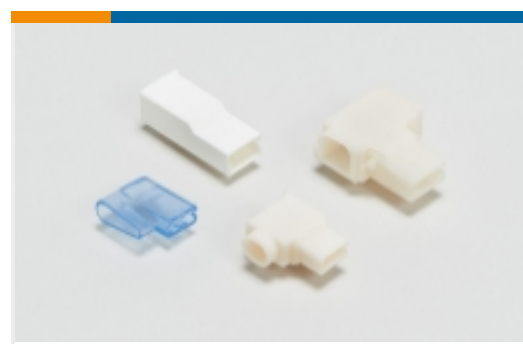
Compatible Parts



Also in the Series | **PIDG**



Compression Connectors(17)



Crimp Terminal Housings(1)



Crimp Wire Pins, Tabs & Ferrules(41)



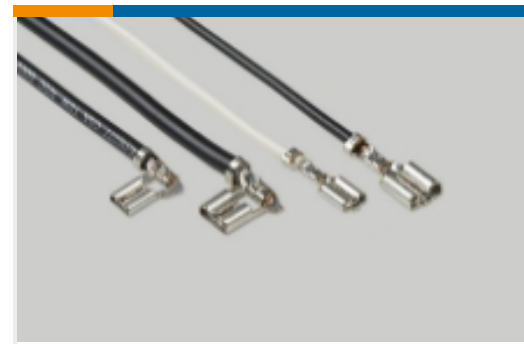
Knife Disconnects(11)



PCB Terminals(9)



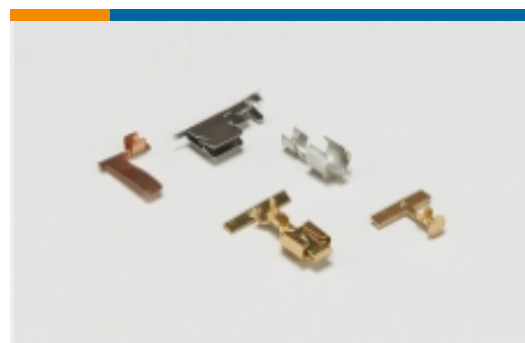
Portable Crimp Tools(2)



Quick Disconnects(53)



Rings & Spades(862)



Special Purpose Terminals(1)



Splices(48)

Customers Also Bought



TE Model / Part #165142
PIDG FORMED WIRE PINS



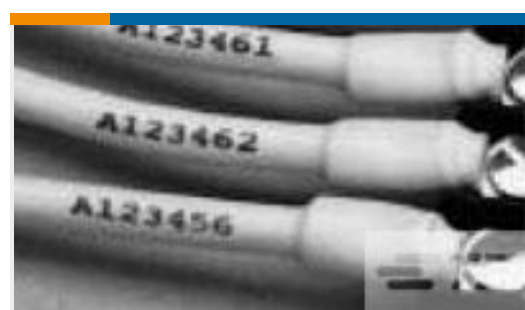
TE Model / Part #9-160313-2
PIDG FASTON RECPT QUICK DISCONNECTS



TE Model / Part #320559
PIDG BUTT SPLICES



TE Model / Part #320563
PIDG RING TONGUE TERMINALS



TE Model / Part #5053092090
RNF-100-1/4-0-STK

Documents



Product Drawings

TERMINAL,PIDG R 16-14 8

English

CAD Files

3D PDF

English

Customer View Model

[ENG_CVM_320560_F1.2d_dxf.zip](#)

English

Customer View Model

[ENG_CVM_320560_F1.3d_igs.zip](#)

English

Customer View Model

[ENG_CVM_320560_F1.3d_stp.zip](#)

English

By downloading the CAD file I accept and agree to the [Terms and Conditions](#) of use.

Datasheets & Catalog Pages

PIDG TERMINALS & SPLICES Quick Reference Guide

English

Product Specifications

Application Specification

English

Product Environmental Compliance

MD_320560_0215201803_dmtec

English

[MD_320560_0215201803_dmtec](#)

English

Agency Approvals

UL Report

English