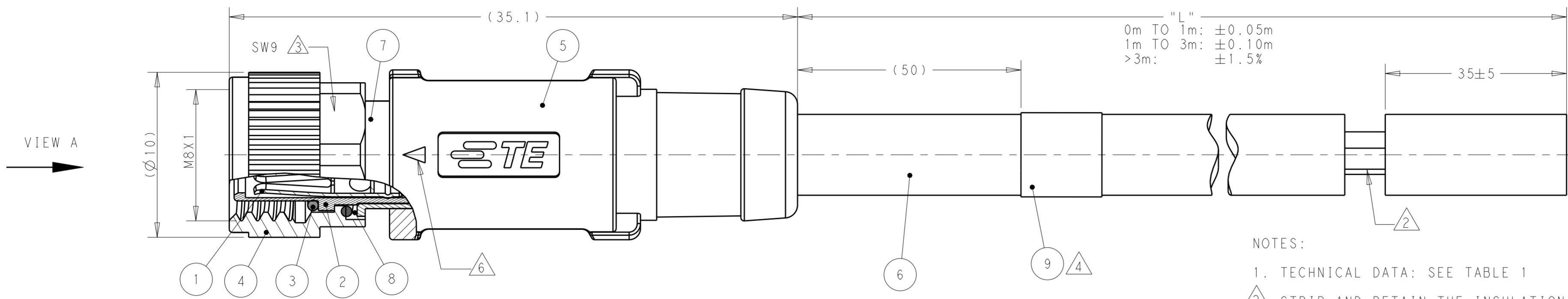


THIS DRAWING IS UNPUBLISHED. RELEASED FOR PUBLICATION 20
 © COPYRIGHT 20 BY - ALL RIGHTS RESERVED.

REVISIONS				
P	LTR	DESCRIPTION	DATE	APVD
A		INITIAL RELEASE	02MAR2016	N.P X.X
A1		PER ECR-16-010253	21JUL2016	N.P X.X
A2		PER ECR-16-016206	16NOV2016	G.W C.W



NOTES:

1. TECHNICAL DATA: SEE TABLE 1
2. STRIP AND RETAIN THE INSULATION
3. RECOMMEND TORQUE 0.4Nm
4. TE LABEL AREA.
5. -** : CABLE LENGTH. -0.5:0.5m, -1.0:1.0m, -1.5:1.5m...
6. INSERT MARK FOR MATING.
7. ALL PRODUCT MUST COMPLIANCE WITH ROHS AND REACH.
8. -00X: FOR CABLE LENGTH, SEE TABLE 2 AND REFER TO LENGTH "L"

注意事项

1. 技术参数: 见表1
2. 剥线并保留绝缘层;
3. 推荐扭矩0.4Nm;
4. TE 标签位置;
5. -** 线长: -0.5:0.5m, -1.0:1.0m, -1.5:1.5m
6. 产品对插标示;
7. 产品必须符合ROHS与REACH.
8. -00X: 线缆长度, 参考表2, 参照长度"L"

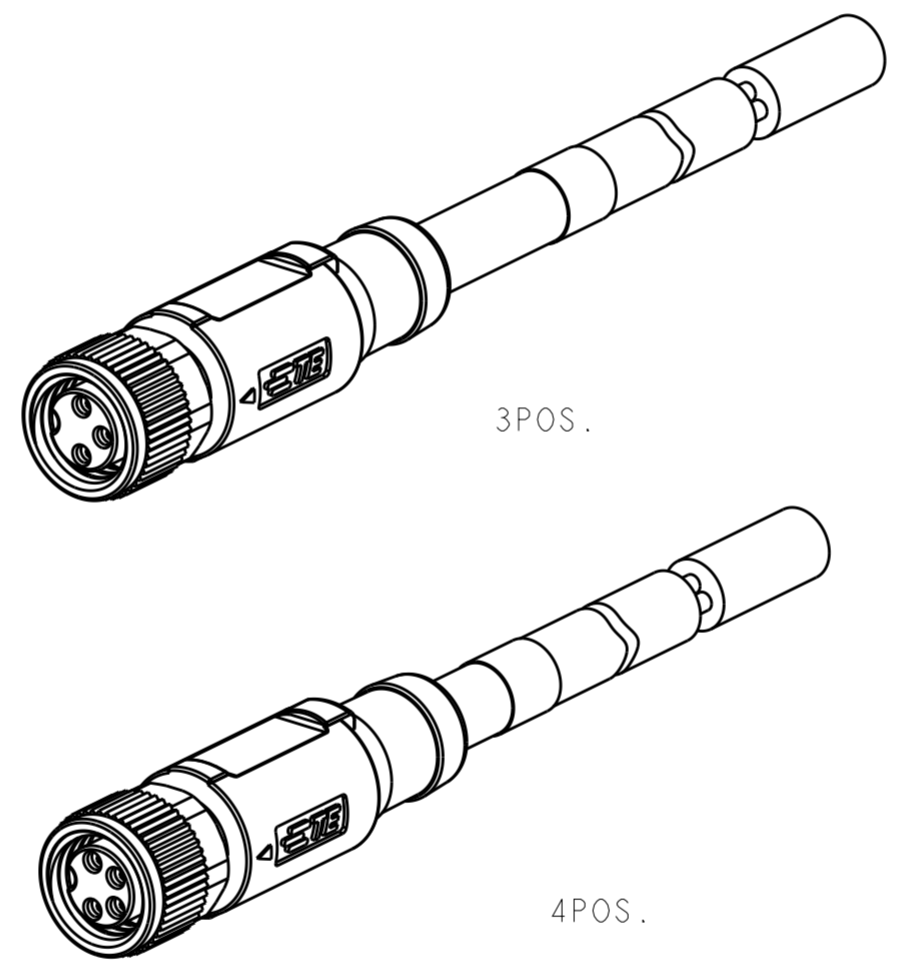
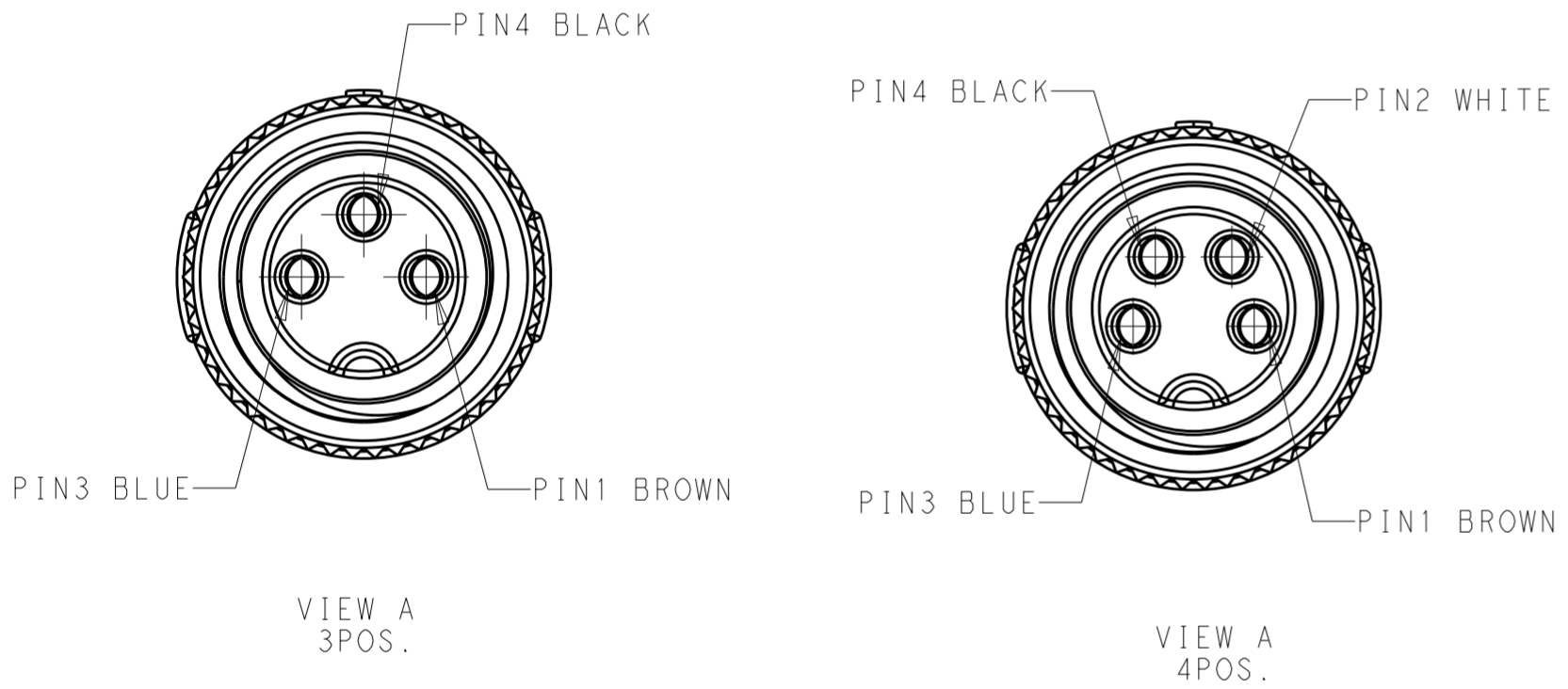


TABLE 1

TECHNICAL DATA	T40613X0003-00X	T40613X0004-00X
RATED VOLTAGE	60V	30V
RATED CURRENT	3A	
POLLUTION DEGREE	3	
OVERVOLTAGE CATEGORY	II	
MATERIAL GROUP	II	
DEGREE OF PROTECTION	IP67	

MATERIAL	DESCRIPTION	ITEM
-	TE LABEL	9
STEEL	WAVE WASHER	8
BRASS	SHIELDING	7
-	CABLE	6
BLUE COLOR	POLYURETHANE OVER-MOLDING	5
-	COPPER ALLOY COUPLING NUT	4
-	RUBBER O-RING	3
BALCK COLOR	PA66 HOUSING	2
GOLD FLASH	COPPER ALLOY CONTACT	1
COMMENTS	MATERIAL DESCRIPTION	ITEM

WIRES	STANDARD	TEMP. RANGE	JACKET COLOR	JACKET MATERIAL	TYPE	POS.	TABLE 2 PART NUMBER
WIRES: 0.34mm ² (22AWG)	STANDARD: -001: 0.5m -002: 1.0m -003: 1.5m -004: 3.0m -005: 5.0m -006: 7.0m -007: 10.0m CUSTOMIZATION: -**0: 00.0m -001: **.5m	FIXED: -40°C~80°C FLXIBLE: -25°C~80°C	GRAY	PUR (UL)	RPC-M8-FS-4CON-PUR-**SHS0.34	4	T4061340004-00X
		FIXED: -10°C~80°C FLXIBLE: -5°C~80°C	BLACK	PVC (UL)	RPC-M8-FS-4CON-PVC-**SHS0.34	3	T4061340003-00X
WIRES: 0.25mm ² (24AWG)	CUSTOMIZATION: -**0: 00.0m -001: **.5m	FIXED: -40°C~80°C FLXIBLE: -25°C~80°C	GRAY	PUR (UL)	RPC-M8-FS-4CON-PUR-**SH	4	T4061320004-00X
		FIXED: -10°C~80°C FLXIBLE: -5°C~80°C	BLACK	PVC (UL)	RPC-M8-FS-4CON-PVC-**SH	3	T4061320003-00X
CABLE CHARACTERISTIC	LENGTH "L"	CABLE TEMP. RANGE	JACKET COLOR	JACKET MATERIAL	TYPE	POS.	TABLE 2 PART NUMBER

THIS DRAWING IS A CONTROLLED DOCUMENT.

DIMENSIONS:	TOLERANCES UNLESS OTHERWISE SPECIFIED:
mm	0 PLC ±0.50 1 PLC ±0.35 2 PLC ± 3 PLC ± 4 PLC ±
MATERIAL	FINISH

DWN Nick Pan 29JAN2016	 TE Connectivity
CHK Kobby Zhao 29JAN2016	
APVD Xiang Xu 29JAN2016	
PRODUCT SPEC 108-106140	
APPLICATION SPEC	NAME M8 CABLE ASSEMBLY STRAIGHT FEMALE, SHIELDED, SINGLE ENDED
WEIGHT	SIZE A2
CUSTOMER DRAWING	SCALE 1:1
	SHEET 1 OF 1
	REV A2