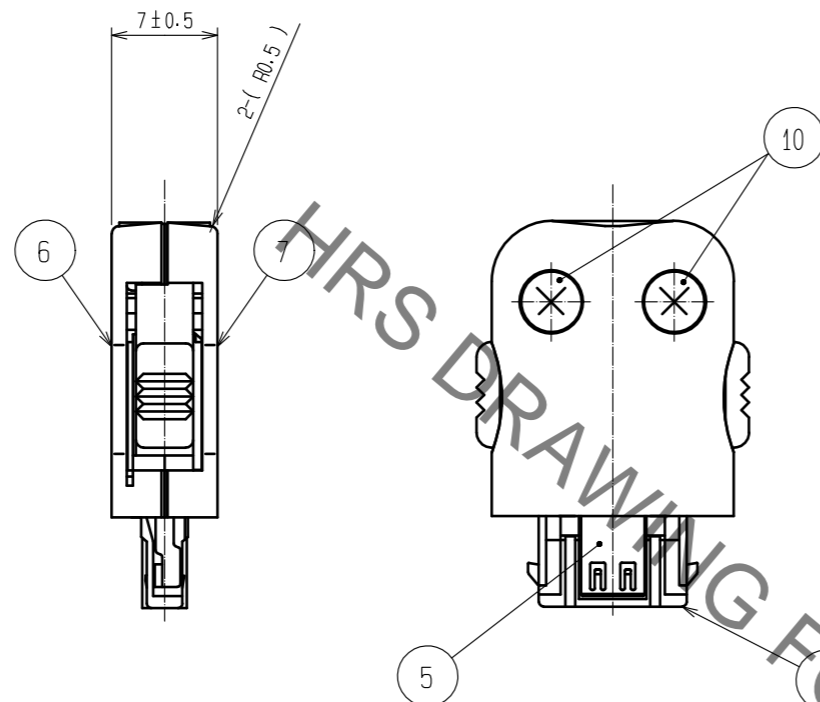
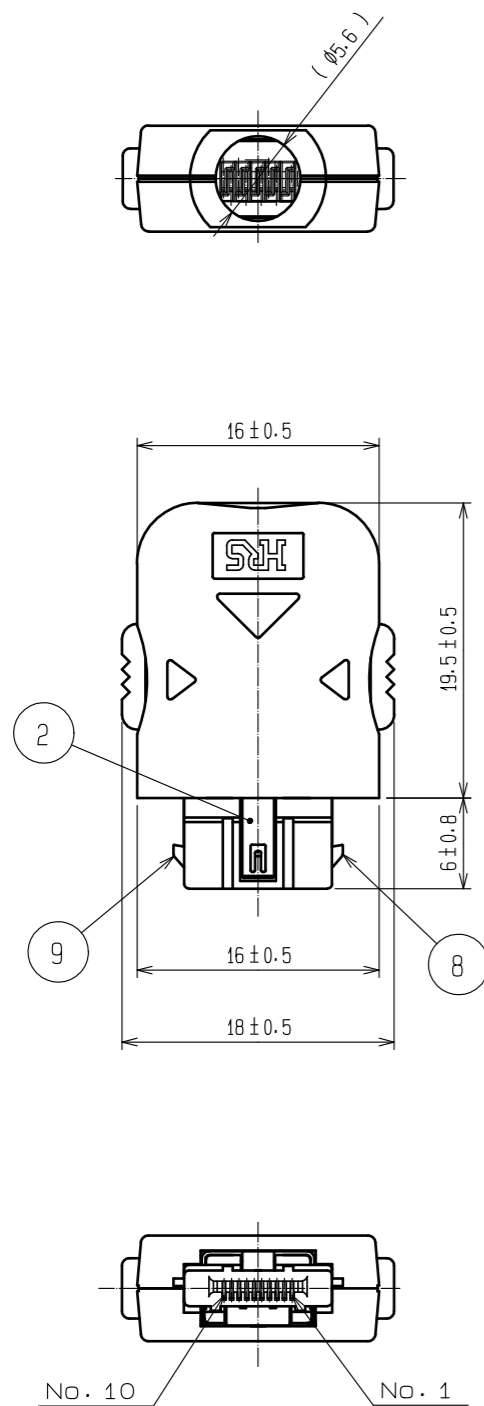
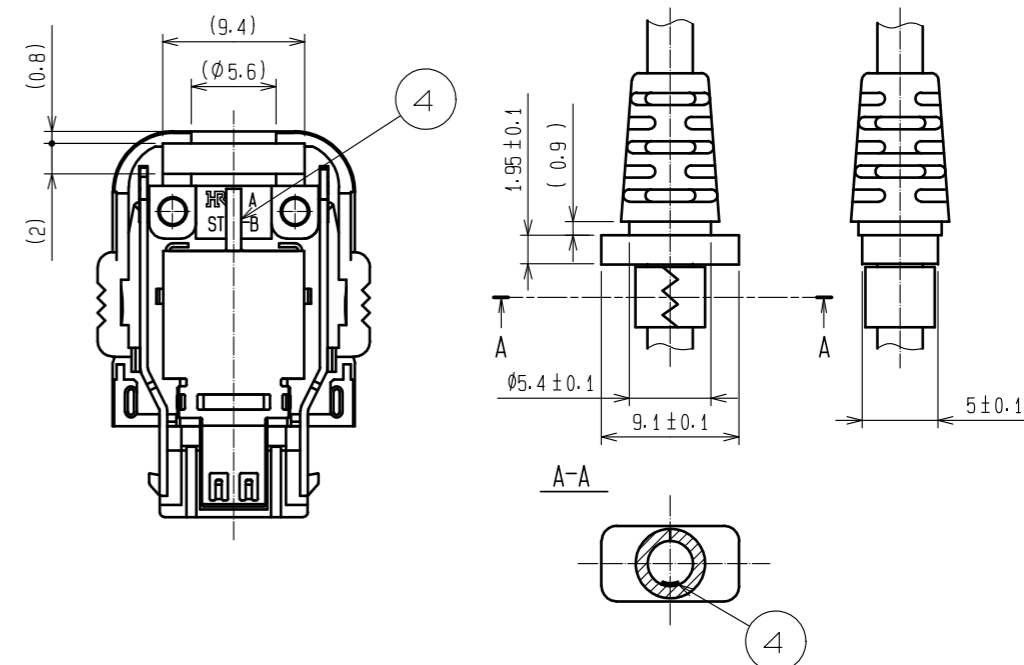


Aug.1.2020 Copyright 2020 HIROSE ELECTRIC CO., LTD. All Rights Reserved.  
In case of consideration for using Automotive equipment / device which demand high reliability, kindly contact our sales window correspondents.

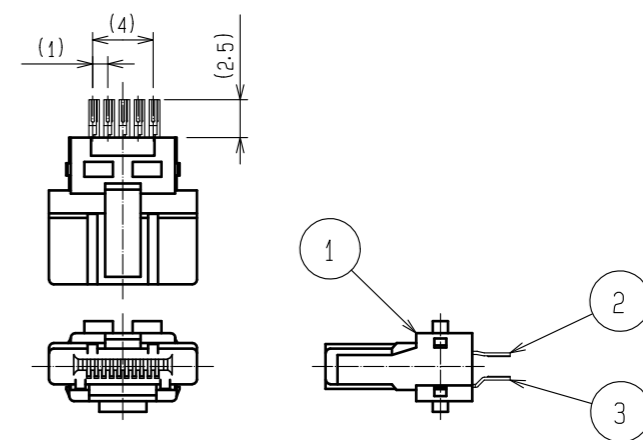


② BUSHING ASSEMBLY DIMENSIONS FOR REFERENCE



CABLE SHIELD IS CONNECTED BY CAULKING OF THE CLAMP METAL (COMMERCIAL ITEM) FITTING WITH CONNECTOR SHIELD REF ④.

CONNECTOR UNIT



NOTE 1 LESS THAN  $\phi 4$  mm IS PRESUMED CABLE SIZE.  
 ② CABLE SHALL BE OVERMOLDED WITH BUSHING TO FIX. USE NON-MIGRATION RESIN FOR OVERMOLDING.  
 ③ <PLATING>  
 CONTACT AREA: GOLD PLATED 0.2 $\mu$ m MIN.  
 LEAD AREA: GOLD PLATED FLASH.  
 UNDER PLATING: NICKEL PLATED 2 $\mu$ m MIN.  
 THE PRODUCT IS DELIVERED IN FOLLOWING CONDITIONS:  
 UNIT WITH REF ① ASSEMBLED TO REF ② AND ③, COVER WITH REF ⑥ ASSEMBLED TO REF ⑧ AND ⑨, AND REF ④, ⑤, ⑦, ⑩ DISASSEMBLED.

5	STAINLESS STEEL		10	STEEL	BLACK CHROMATE Cr3. (TAPPING SCREW)			
4	STAINLESS STEEL		9	STAINLESS STEEL				
3	COPPER ALLOY	③	8	STAINLESS STEEL				
2	COPPER ALLOY	③	7	ABS OR PC	(BLACK)UL			
1	PA	(BLACK)UL94V-0	6	ABS OR PC	(BLACK)UL			
NO.	MATERIAL	FINISH . REMARKS	NO.	MATERIAL	FINISH . REMARKS			
UNITS mm			SCALE 2 : 1	COUNT 	DESCRIPTION OF REVISIONS	DESIGNED	CHECKED	DATE
<b>HRS</b> HIROSE ELECTRIC CO., LTD.		APPROVED : NM. NISHIMATSU 15.10.27	DRAWING NO. EDC-124682-30-00					
		CHECKED : KN. ICHIKAWA 15.10.27	PART NO. ST40X-10S-CV(30)					
		DESIGNED : TS. ITO 15.10.27	CODE NO. CL241-0041-0-30					
		DRAWN : AK. AKIYAMA 15.10.27						

# Mouser Electronics

Authorized Distributor

Click to View Pricing, Inventory, Delivery & Lifecycle Information:

[Hirose Electric:](#)

[ST40X-10S-CV\(30\)](#)