

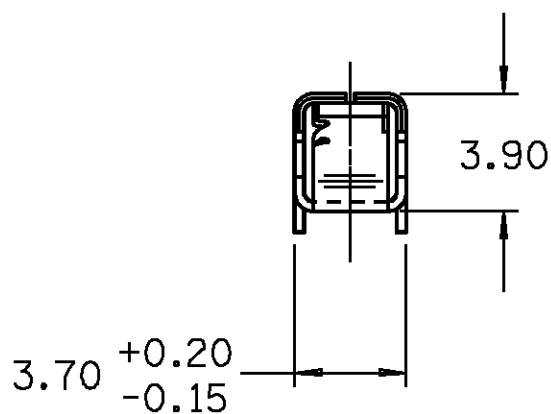
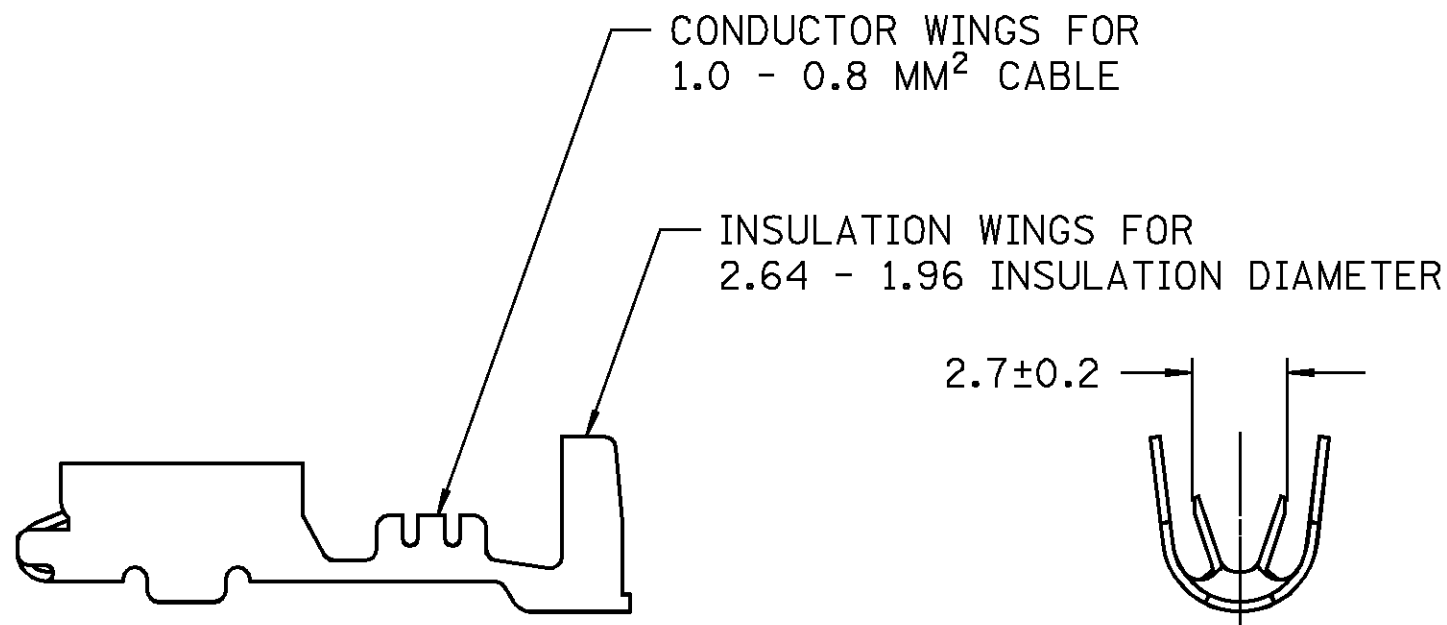
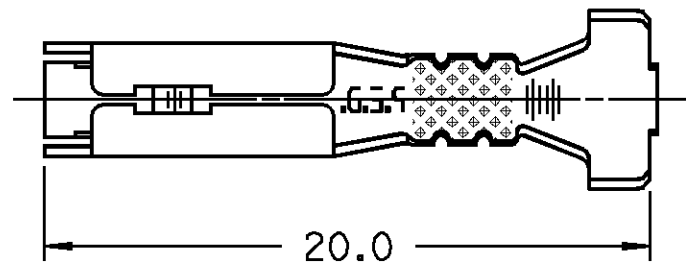
D

THIS DRAWING AND DESIGN HEREON CONSTITUTES A PROPRIETARY DESIGN OF PACKARD ELECTRIC DIVISION AND IS NOT TO BE DUPLICATED OR REPRODUCED WITHOUT AUTHORITY OF PACKARD ELECTRIC DIVISION.

DO NOT SCALE

PACKARD ELECTRIC DIVISION
GENERAL MOTORS CORPORATION
WARREN, OHIO

PART NO.
1211 0847



NOTE - MATING TERMINAL 12048159 OR EQUIVALENT.

DATE	SYM	REVISION RECORD	AUTHORITY	DR	CK
26MR91	D	RELEASED	910005	BKD	BKD
06MY91	E	ADDED TABS 2 PLCS	141852	BAR	BAR
01JL91	F	REVISED GRAPHICS	143053	BKD	BKD
02FE92	G	REVISION LEVEL ADVANCED	147002	WHP	HH
12JL93	H	REVISION LEVEL ADVANCED	156472	TEB	TEB
30JL96	—	REVISED DETAIL-NO REV UPDATE REQ'D FOR P.I.D.	173849	HH	HH

<p>PED/GRAPH.EMS</p>		<p>FILE SPEC: ****USER**** DGN#SPECIFICATION***** *****SYTIME*****</p>
<p>THIRD ANGLE PROJECTION</p>		<p>METRIC DIMENSIONS ARE IN MILLIMETERS UNLESS OTHERWISE SPECIFIED.</p>
<p>CODE NO. 6900</p>	<p>TOLERANCE UNLESS OTHERWISE SPECIFIED DECIMAL: ANGULAR ± 2° ONE PLACE ± 0.3 TWO PLACE ± 0.15</p>	
<p>Q.C.</p>	<p>DR. BRIAN K. DEW 26MR91</p>	
<p>DWG. DATE 26MR91</p>	<p>SCALE NONE</p>	<p>CK. BRIAN K. DEW DATE 26MR91</p>
<p>EST. NO.</p>	<p>APPR. AL HERRMANN</p>	<p>DATE 27MR91</p>
<p>REFERENCE NO. 12110848 "D" SIZE</p>	<p>APPR. R. A. PETROSKY</p>	<p>DATE 27MR91</p>
<p>MATERIAL SPEC. 0.32 THK. CA425 BRASS</p>		
<p>NAME TERM F M/P 280 SEALED TANGLESS</p>		
<p>PART NO.</p>	<p>1211 0847</p>	<p>SIZE B</p>
<p>OUTLINE DRAWING</p>		

Mouser Electronics

Authorized Distributor

Click to View Pricing, Inventory, Delivery & Lifecycle Information:

[Aptiv:](#)

[12110847-L](#)