

# SPECIFICATION

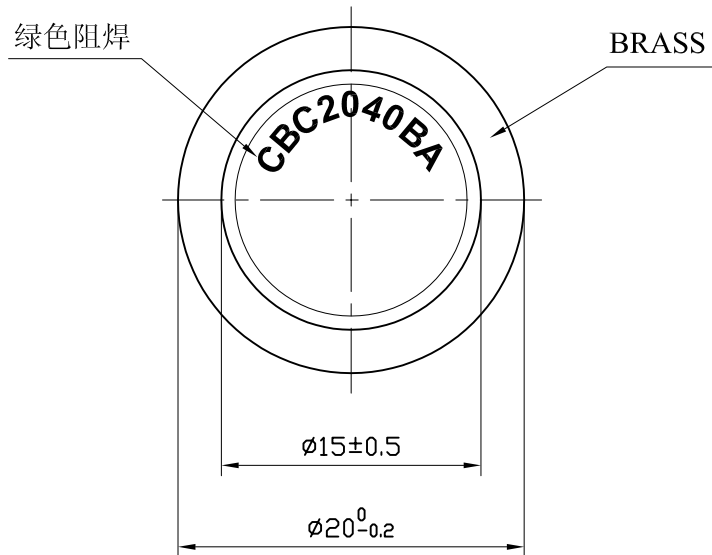
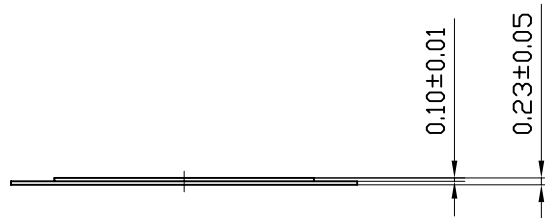
## 1. SCOPE

This specification is applied to the piezo-element.

## 2. SPECIFICATION

(at 25°C)

- |                           |   |                         |
|---------------------------|---|-------------------------|
| 2.1 Resonant Frequency    | : | 4.0 ± 0.5 KHz           |
| 2.2 Resonant Resistace    | : | 500 Ω max               |
| 2.3 Capacitance           | : | 30000 pF ± 30% at 100Hz |
| 2.4 Input Voltage         | : | 30 Vp-p max             |
| 2.5 Operating Temperature | : | -20 ~ +50°C             |
| 2.6 Storage Temperature   | : | -20 ~ +70°C             |
| 3. DIMENSION              | : | as per figure           |

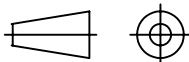


TOLERANCES UNLESS NOTED OTHERWISE

.X ±  
.XX ±  
.XXX ±

90° FORMED +2°  
ANGLES -1°

FIRST ANGLE PROJECTION



DRAWN		KEPO MODEL NO.	CUSTOMER	
DESIGN		CBC2040BA-1682	QUARTZ-1	
CHECKED			CUSTOMER NO.	
APPROVED		DWG NO.	VER	1.1
DATE	07.10.15	OEM1682	SCALE	
CONTRACT NO.		<b>KEPO CO., LTD.</b>	UNIT	mm
AGENCY APPROVAL			SHEET	

TEL: (+86)574-88370330	
FAX: (+86)574-88370329	