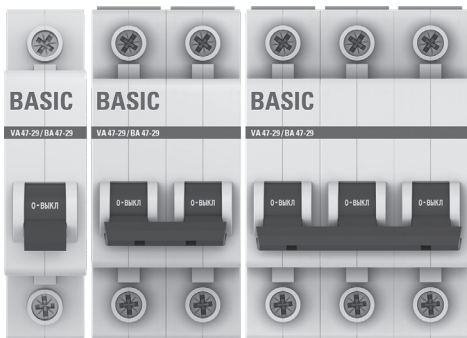


BASIC



TECHNICAL MANUAL

Miniature circuit breakers
VA 47-29 BASIC

1 DESCRIPTION

The miniature circuit breakers VA 47-29 Basic are electromechanical switching devices used for close/open operations in AC electrical circuits and for protection against overload and short-circuit currents in residential and commercial buildings. Miniature circuit breakers (MCB) comply with IEC 60898-1.

The MCB is equipped with a convenient operating handle to ensure MCB reliable operation.

TYPE CODE

VA 47-29 X X X X



2 TECHNICAL DATA

Table 1

Characteristics	Value
Rated operating voltage U_e , V	230 / 400
Frequency, Hz	50
Poles	1, 2, 3
Rated current I_n , A	6; 10; 16; 20; 25; 32; 40; 50; 63
Rated impulse withstand voltage U_{imp} , kV	4
Tripping curve	B, C (Figure 1)
Degree of protection	IP20
Rated short-circuit breaking capacity I_{cn} , A	4500
Mechanical endurance, O-C cycles	20 000
Electrical endurance, O-C cycles	6 000

Characteristics	Value		
Operating temperature, °C	from -25 to + 50		
MCB weight, max. kg (depending on the number of poles)	1	2	3
	0,1	0,2	0,3
Minimum cross-section of connected wires, mm ²	1		
Maximum cross-section of connected wires, mm ²	25		
Tightening torque, N-m	2,5		

3 TRIPPING CHARACTERISTICS

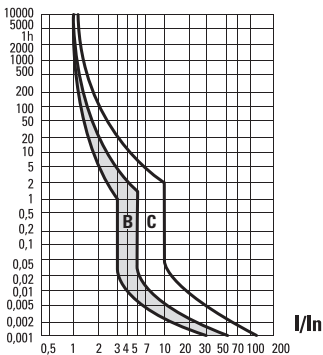


Figure 1. Tripping curves

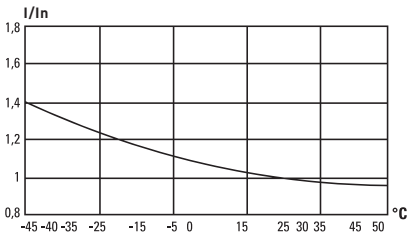


Figure 2. MCB derating factor depending on ambient temperature

4 OVERALL DIMENSIONS

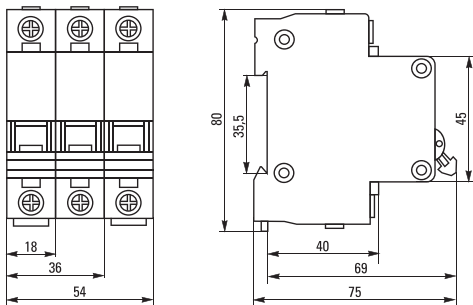


Figure 3. Overall dimensions

5 INSTALLATION AND CONNECTION

Miniature circuit breakers shall be installed and connected by qualified electrical personnel.

Copper and aluminum wire connections are supported. Do not connect copper and aluminum wires to one terminal concurrently.

MCB power supply can be connected both from terminals 1, 3, 5 and from terminals 2, 4, 6 (Figure 4).

MCB shall be mounted onto 35mm DIN rail.

Tightening torque: max. 2,5 N·m for copper wires; max. 2,2 N·m for aluminum-alloy wires, series 8000.

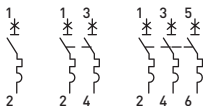


Figure 4. Wiring diagrams

6 OPERATION CONDITIONS

Operating temperature: from -25°C to $+50^{\circ}\text{C}$.

Attitude above sea level: max. 2000 m.

Position in space: vertical or horizontal on a vertical plane. If vertically installed, the upper position of the operating handle shall correspond to the MCB «ON» status, while the handle lower position shall correspond to the MCB «OFF» status in compliance with IEC 60447. If horizontally installed, the handle right position shall correspond to the MCB «ON» status, while the handle left position shall correspond to the MCB «OFF» status.

7 DELIVERY SCOPE

Miniature circuit breakers VA 47-29 are supplied in the group package. For all available documentation, scan the QR-code on the insert or on the inside of the package.

8 SAFETY REQUIREMENTS

Do not operate miniature circuit breakers with visual mechanical damage. By protection method against electric shock, miniature circuit breakers belong to protection class «0» according to IEC 61140 and shall be installed in distribution enclosures with protection class «1» and higher.

9 MAINTENANCE

For MCB maintenance, follow national safety rules for operation of electrical Installations.

Under normal operating conditions, visually inspect MCBs, check «ON/OFF» operations and tighten screw terminals every 6 months.

Discontinue operating the MCB, if visual damage to the MCB housing is found.

10 STORAGE AND TRANSPORTATION

The miniature circuit breakers can be transported by any means of enclosed transport that ensures protection of packed products from mechanical and atmospheric impacts.

The MCBs shall be stored indoors in the original package at the ambient temperature from -40°C to $+55^{\circ}\text{C}$ and relative humidity of max. 80% at $+25^{\circ}\text{C}$.

11 DISPOSAL

Life-expired and failed products shall be disposed of in compliance with the national and local laws and regulations in force.

To dispose of the product, send it to an authorized company for recycling in compliance with the national and local laws and regulations in force.

12 MANUFACTURER'S WARRANTY

The manufacturer guarantees the miniature circuit breakers comply with the declared characteristics, provided that the consumer follows the operation, transportation and storage conditions.

Warranty period: 3 years from the date of sale specified in the sales receipt.

Shelf life: 3 years from the date of manufacture specified on the product package or housing.

Service life: 15 years.

Manufacturer: for information, refer to the product package.

Importer and EKF trademark service representative:

EKF ELECTRICAL SOLUTION – FZCO, Dubai Silicon Oasis, DDP, Building A2, Dubai, United Arab Emirates.

Importer and EKF trademark service representative on the territory of the Russian Federation:

000 «Electroresheniya», Otradnaya st., 2b bld. 9, 5th floor, 127273, Moscow, Russia. Tel.: +7 (495) 788-88-15. Тел.: +7 (495) 788-88-15.

Importer and EKF trademark service representative on the territory the Republic of Kazakhstan:

T00 «Energoresheniya Kazakhstan», Kazakhstan, Almaty, Bostandyk district, Turgut Ozal st., 247, apt 4.

13 CERTIFICATE OF ACCEPTANCE

The miniature circuit breaker VA 47-29 Basic has been approved for operation.

Date of manufacture: for information, refer to the product package.

Quality control stamp



ekfgroup.com

v2